

O-RINGS

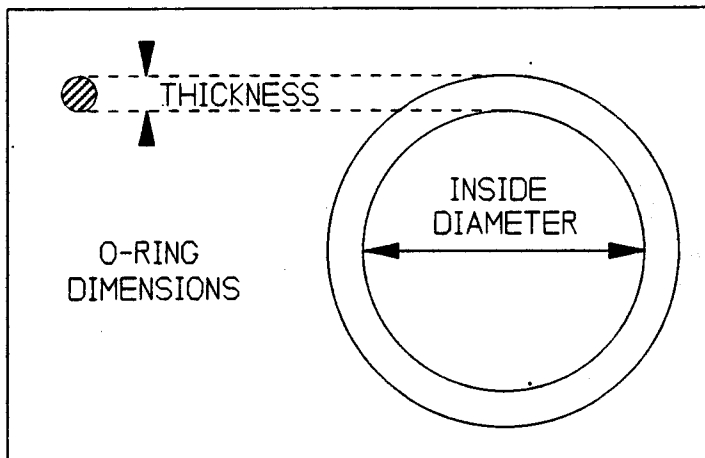
STATIC BOSS PACKING FOR TUBE FITTINGS MS28778 for (HYD) / MS29512 for (FUEL) These use " B " series chart, for sizing

MS28778 series

For use in static applications with aircraft hydraulic fluid, Mil-H-5606
Made from compound per Mil-P-5510
For service temperatures of -65 deg to +200 deg F.

MS29512 series

For use in static applications with hydrocarbon fuels, JP-4, JP-5
Made from compound per Mil-P-5315
For service temperatures of -65 deg to +200 deg F.



" B " Series Chart

NOTE; all dimensions in inches

* When sizing the series MS9020, MS29512, M25988, place a zero in front of the single digit size numbers. Example -2 should be -02.

FITTING SIZE or "B" Series Size (XX)*	TUBING OUTSIDE DIAMETER	O-RING THICKNESS	TOLERANCE FOR THICKNESS	O-RING INSIDE DIAMETER	TOLERANCE FOR O-RING I.D.
2	1/8	.064	+ OR - .003	.239	+ OR - .005
3	3/16	.064		.301	
4	1/4	.072		.351	
5	5/16	.072		.414	
6	3/8	.078		.468	
8	1/2	.087		.644	
10	5/8	.097		.755	
12	3/4	.116	+ OR - .004	.924	+ OR - .006
14	7/8			1.047	
16	1"			1.171	
20	1"+1/4	.118		1.475	+ OR - .010
24	1"+1/2			1.720	
28	1"+ 3/4			2.090	
32	2"		2.337		

Genuine Aircraft Hardware Company