

O-RINGS

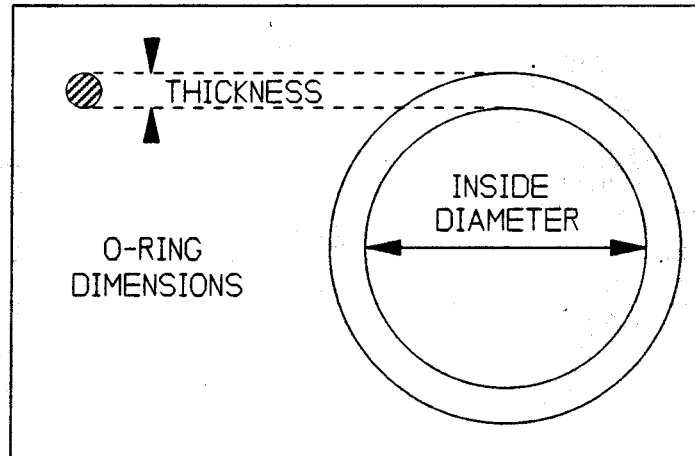
DYNAMIC (ACTUATOR), and STATIC (GLAND) MS28775 for Hydraulic service with Mil-H-5606

ORDER BY the MS28775 Number, use the " A " series chart for sizing.

Example MS28775-(XXX), * = static use only, ns = non standard.

MS28775 series

For use in static and dynamic applications with aircraft hydraulic fluid, Mil-H-5606
Made from compound per Mil-P-27532
For service temperatures of -65 deg to +275 deg F.
REPLACES AN6227 and AN6230 series.



" A " Series Chart

NOTE; all dimensions in inches

MS28775-(XXX) "A" series chart Size (XXX)	OLD AN6227 or AN6230 #	O-RING THICKNESS	TOLERANCE THICKNESS + or -	O-RING INSIDE DIAMETER	TOLERANCE O-RING I.D. + or -
-001 *		.040	.003	0.029	0.004
-002 *		.050	.003	0.042	0.004
-003 *		.060	.003	0.056	0.004
-004		.070	.003	0.070	0.005
-005		.070	.003	0.101	0.005
-006	AN6227-1	.070	.003	0.114	0.005
-007	AN6227-2	.070	.003	0.145	0.005
-008	AN6227-3	.070	.003	0.177	0.005
-009	AN6227-4	.070	.003	0.208	0.005
-010	AN6227-5	.070	.003	0.239	0.005
-011	AN6227-6	.070	.003	0.301	0.005
-012	AN6227-7	.070	.003	0.364	0.005

O-RINGS

DYNAMIC (ACTUATOR), and STATIC (GLAND) MS28775 for Hydraulic service with Mil-H-5606

ORDER BY the MS28775 Number, use the " A " series chart for sizing.

Example MS28775-(XXX), * = static use only, ns = non standard.

MS28775-(XXX) "A" series chart Size (XXX)	OLD AN6227 or AN6230 #	O-RING THICKNESS	TOLERANCE THICKNESS + or -	O-RING INSIDE DIAMETER	TOLERANCE O-RING I.D. + or -
-013 *	* = Static Only	.070	.003	0.426	0.005
-014 *	* = Static Only	.070	.003	0.489	0.005
-015 *	* = Static Only	.070	.003	0.551	0.005
-016 *	* = Static Only	.070	.003	0.614	0.005
-017 *	* = Static Only	.070	.003	0.676	0.005
-018 *	* = Static Only	.070	.003	0.739	0.005
-019 *	* = Static Only	.070	.003	0.801	0.006
-020 *	* = Static Only	.070	.003	0.864	0.006
-021 *	* = Static Only	.070	.003	0.926	0.006
-022 *	* = Static Only	.070	.003	0.989	0.006
-023 *	* = Static Only	.070	.003	1.051	0.006
-024 *	* = Static Only	.070	.003	1.114	0.006
-025 *	* = Static Only	.070	.003	1.176	0.006
-026 *	* = Static Only	.070	.003	1.239	0.006
-027 *	* = Static Only	.070	.003	1.301	0.006
-028 *	* = Static Only	.070	.003	1.364	0.006
-029 ns *	* = Static Only	.070	.003	1.489	0.010
-030 ns *	* = Static Only	.070	.003	1.614	0.010
-031 ns *	* = Static Only	.070	.003	1.739	0.010
-032 ns *	* = Static Only	.070	.003	1.864	0.010
-033 ns *	* = Static Only	.070	.003	1.989	0.010
-034 ns *	* = Static Only	.070	.003	2.114	0.010
-035 ns *	* = Static Only	.070	.003	2.239	0.010
-036 ns *	* = Static Only	.070	.003	2.364	0.010
-037 ns *	* = Static Only	.070	.003	2.489	0.010
-038 ns *	* = Static Only	.070	.003	2.614	0.010

O-RINGS

DYNAMIC (ACTUATOR), and STATIC (GLAND) MS28775 for Hydraulic service with Mil-H-5606

ORDER BY the MS28775 Number, use the " A " series chart for sizing.

Example MS28775-(XXX), * = static use only, ns = non standard.

MS28775-(XXX) "A" series chart Size (XXX)	OLD AN6227 or AN6230 #	O-RING THICKNESS	TOLERANCE THICKNESS + or -	O-RING INSIDE DIAMETER	TOLERANCE O-RING I.D. + or -
-039 ns *	* = Static Only	.070	.003	2.739	0.015
-040 ns *	* = Static Only	.070	.003	2.864	0.015
-041 ns *	* = Static Only	.070	.003	2.989	0.015
-042 ns *	* = Static Only	.070	.003	3.239	0.015
-043 ns *	* = Static Only	.070	.003	3.489	0.015
-044 ns *	* = Static Only	.070	.003	3.739	0.015
-045 ns *	* = Static Only	.070	.003	3.989	0.015
-046 ns *	* = Static Only	.070	.003	4.239	0.015
-047 ns *	* = Static Only	.070	.003	4.489	0.015
-048 ns *	* = Static Only	.070	.003	4.739	0.015
-049 ns *	* = Static Only	.070	.003	4.989	0.023
-050 ns *	* = Static Only	.070	.003	5.239	0.023
-110	AN6227-8	.103	.003	0.362	0.005
-111	AN6227-9	.103	.003	0.424	0.005
-112	AN6227-10	.103	.003	0.487	0.005
-113	AN6227-11	.103	.003	0.549	0.005
-114	AN6227-12	.103	.003	0.612	0.005
-115	AN6227-13	.103	.003	0.674	0.005
-116	AN6227-14	.103	.003	0.737	0.005
-117 *	* = Static Only	.103	.003	0.799	0.006
-118 *	* = Static Only	.103	.003	0.862	0.006
-119 *	* = Static Only	.103	.003	0.924	0.006
-120 *	* = Static Only	.103	.003	0.987	0.006
-121 *	* = Static Only	.103	.003	1.049	0.006
-122 *	* = Static Only	.103	.003	1.112	0.006
-123 *	* = Static Only	.103	.003	1.174	0.006

O-RINGS

DYNAMIC (ACTUATOR), and STATIC (GLAND) MS28775 for Hydraulic service with Mil-H-5606

ORDER BY the MS28775 Number, use the " A " series chart for sizing.

Example MS28775-(XXX), * = static use only, ns = non standard.

MS28775-(XXX) "A" series chart Size (XXX)	OLD AN6227 or AN6230 #	O-RING THICKNESS	TOLERANCE THICKNESS + or -	O-RING INSIDE DIAMETER	TOLERANCE O-RING I.D. + or -
-039 ns *	* = Static Only	.070	.003	2.739	0.015
-040 ns *	* = Static Only	.070	.003	2.864	0.015
-041 ns *	* = Static Only	.070	.003	2.989	0.015
-042 ns *	* = Static Only	.070	.003	3.239	0.015
-043 ns *	* = Static Only	.070	.003	3.489	0.015
-044 ns *	* = Static Only	.070	.003	3.739	0.015
-045 ns *	* = Static Only	.070	.003	3.989	0.015
-046 ns *	* = Static Only	.070	.003	4.239	0.015
-047 ns *	* = Static Only	.070	.003	4.489	0.015
-048 ns *	* = Static Only	.070	.003	4.739	0.015
-049 ns *	* = Static Only	.070	.003	4.989	0.023
-050 ns *	* = Static Only	.070	.003	5.239	0.023
-110	AN6227-8	.103	.003	0.362	0.005
-111	AN6227-9	.103	.003	0.424	0.005
-112	AN6227-10	.103	.003	0.487	0.005
-113	AN6227-11	.103	.003	0.549	0.005
-114	AN6227-12	.103	.003	0.612	0.005
-115	AN6227-13	.103	.003	0.674	0.005
-116	AN6227-14	.103	.003	0.737	0.005
-117 *	* = Static Only	.103	.003	0.799	0.006
-118 *	* = Static Only	.103	.003	0.862	0.006
-119 *	* = Static Only	.103	.003	0.924	0.006
-120 *	* = Static Only	.103	.003	0.987	0.006
-121 *	* = Static Only	.103	.003	1.049	0.006
-122 *	* = Static Only	.103	.003	1.112	0.006
-123 *	* = Static Only	.103	.003	1.174	0.006

O-RINGS

DYNAMIC (ACTUATOR), and STATIC (GLAND) MS28775 for Hydraulic service with Mil-H-5606

ORDER BY the MS28775 Number, use the " A " series chart for sizing.

Example MS28775-(XXX), * = static use only, ns = non standard.

MS28775-(XXX) "A" series chart Size (XXX)	OLD AN6227 or AN6230 #	O-RING THICKNESS	TOLERANCE THICKNESS + or -	O-RING INSIDE DIAMETER	TOLERANCE O-RING I.D. + or -
-124 *	* = Static Only	.103	.003	1.237	0.006
-125 *	* = Static Only	.103	.003	1.299	0.006
-126 *	* = Static Only	.103	.003	1.362	0.006
-127 *	* = Static Only	.103	.003	1.424	0.006
-128 *	* = Static Only	.103	.003	1.487	0.006
-129 *	* = Static Only	.103	.003	1.549	0.010
-130 *	* = Static Only	.103	.003	1.612	0.010
-131 *	* = Static Only	.103	.003	1.674	0.010
-132 *	* = Static Only	.103	.003	1.737	0.010
-133 *	* = Static Only	.103	.003	1.799	0.010
-134 *	* = Static Only	.103	.003	1.862	0.010
-135 *	* = Static Only	.103	.003	1.925	0.010
-136 *	* = Static Only	.103	.003	1.987	0.010
-137 *	* = Static Only	.103	.003	2.050	0.010
-138 *	* = Static Only	.103	.003	2.112	0.010
-139 *	* = Static Only	.103	.003	2.175	0.010
-140 *	* = Static Only	.103	.003	2.237	0.010
-141 *	* = Static Only	.103	.003	2.300	0.010
-142 *	* = Static Only	.103	.003	2.362	0.010
-143 *	* = Static Only	.103	.003	2.425	0.010
-144 *	* = Static Only	.103	.003	2.487	0.010
-145 *	* = Static Only	.103	.003	2.550	0.010
-146 *	* = Static Only	.103	.003	2.612	0.010
-147 *	* = Static Only	.103	.003	2.675	0.015
-148 *	* = Static Only	.103	.003	2.737	0.015
-149 *	* = Static Only	.103	.003	2.800	0.015

O-RINGS

DYNAMIC (ACTUATOR), and STATIC (GLAND) MS28775 for Hydraulic service with Mil-H-5606

ORDER BY the MS28775 Number, use the " A " series chart for sizing.

Example MS28775-(XXX), * = static use only, ns = non standard.

MS28775-(XXX) "A" series chart Size (XXX)	OLD AN6227 or AN6230 #	O-RING THICKNESS	TOLERANCE THICKNESS + or -	O-RING INSIDE DIAMETER	TOLERANCE O-RING I.D. + or -
-150 ns *	* = Static Only	.103	.003	2.862	0.015
-151 ns *	* = Static Only	.103	.003	2.987	0.015
-152 ns *	* = Static Only	.103	.003	3.237	0.015
-153 ns *	* = Static Only	.103	.003	3.487	0.015
-154 ns *	* = Static Only	.103	.003	3.737	0.015
-155 ns *	* = Static Only	.103	.003	3.987	0.015
-156 ns *	* = Static Only	.103	.003	4.237	0.015
-157 ns *	* = Static Only	.103	.003	4.487	0.015
-158 ns *	* = Static Only	.103	.003	4.737	0.015
-159 ns *	* = Static Only	.103	.003	4.987	0.015
-160 ns *	* = Static Only	.103	.003	5.237	0.023
-161 ns *	* = Static Only	.103	.003	5.487	0.023
-162 ns *	* = Static Only	.103	.003	5.737	0.023
-163 ns *	* = Static Only	.103	.003	5.987	0.023
-210	AN6227-15	.139	.004	0.734	0.006
-211	AN6227-16	.139	.004	0.796	0.006
-212	AN6227-17	.139	.004	0.859	0.006
-213	AN6227-18	.139	.004	0.921	0.006
-214	AN6227-19	.139	.004	0.984	0.006
-215	AN6227-20	.139	.004	1.046	0.006
-216	AN6227-21	.139	.004	1.109	0.006
-217	AN6227-22	.139	.004	1.171	0.006
-218	AN6227-23	.139	.004	1.234	0.006
-219	AN6227-24	.139	.004	1.296	0.006
-220	AN6227-25	.139	.004	1.359	0.006
-221	AN6227-26	.139	.004	1.421	0.006

O-RINGS

DYNAMIC (ACTUATOR), and STATIC (GLAND) MS28775 for Hydraulic service with Mil-H-5606

ORDER BY the MS28775 Number, use the " A " series chart for sizing.

Example MS28775-(XXX), * = static use only, ns = non standard.

MS28775-(XXX) "A" series chart Size (XXX)	OLD AN6227 or AN6230 #	O-RING THICKNESS	TOLERANCE THICKNESS + or -	O-RING INSIDE DIAMETER	TOLERANCE O-RING I.D. + or -
-222	AN6227-27	.139	.004	1.484	0.006
-223 *	AN6230-1	.139	.004	1.609	0.010
-224 *	AN6230-2	.139	.004	1.734	0.010
-225 *	AN6230-3	.139	.004	1.859	0.010
-226 *	AN6230-4	.139	.004	1.984	0.010
-227 *	AN6230-5	.139	.004	2.109	0.010
-228 *	AN6230-6	.139	.004	2.234	0.010
-229 *	AN6230-7	.139	.004	2.359	0.010
-230 *	AN6230-8	.139	.004	2.484	0.010
-231 *	AN6230-9	.139	.004	2.609	0.010
-232 *	AN6230-10	.139	.004	2.734	0.015
-233 *	AN6230-11	.139	.004	2.859	0.015
-234 *	AN6230-12	.139	.004	2.984	0.015
-235 *	AN6230-13	.139	.004	3.109	0.015
-236 *	AN6230-14	.139	.004	3.234	0.015
-237 *	AN6230-15	.139	.004	3.359	0.015
-238 *	AN6230-16	.139	.004	3.484	0.015
-239 *	AN6230-17	.139	.004	3.609	0.015
-240 *	AN6230-18	.139	.004	3.734	0.015
-241 *	AN6230-19	.139	.004	3.859	0.015
-242 *	AN6230-20	.139	.004	3.984	0.015
-243 *	AN6230-21	.139	.004	4.109	0.015
-244 *	AN6230-22	.139	.004	4.234	0.015
-245 *	AN6230-23	.139	.004	4.359	0.015
-246 *	AN6230-24	.139	.004	4.484	0.015
-247 *	AN6230-25	.139	.004	4.609	0.015

O-RINGS

DYNAMIC (ACTUATOR), and STATIC (GLAND) MS28775 for Hydraulic service with Mil-H-5606

ORDER BY the MS28775 Number, use the " A " series chart for sizing.

Example MS28775-(XXX), * = static use only, ns = non standard.

MS28775-(XXX) "A" series chart Size (XXX)	OLD AN6227 or AN6230 #	O-RING THICKNESS	TOLERANCE THICKNESS + or -	O-RING INSIDE DIAMETER	TOLERANCE O-RING I.D. + or -
-248 ns *	AN6230-26	.139	.004	4.734	0.015
-249 ns *	AN6230-27	.139	.004	4.859	0.015
-250 ns *	AN6230-28	.139	.004	4.984	0.015
-251 ns *	AN6230-29	.139	.004	5.109	0.023
-252 ns *	AN6230-30	.139	.004	5.234	0.023
-253 ns *	AN6230-31	.139	.004	5.359	0.023
-254 ns *	AN6230-32	.139	.004	5.484	0.023
-255 ns *	AN6230-33	.139	.004	5.609	0.023
-256 ns *	AN6230-34	.139	.004	5.734	0.023
-257 ns *	AN6230-35	.139	.004	5.859	0.023
-258 ns *	AN6230-36	.139	.004	5.984	0.023
-325	AN6227-28	.210	.005	1.475	0.010
-326	AN6227-29	.210	.005	1.600	0.010
-327	AN6227-30	.210	.005	1.725	0.010
-328	AN6227-31	.210	.005	1.850	0.010
-329	AN6227-32	.210	.005	1.975	0.010
-330	AN6227-33	.210	.005	2.100	0.010
-331	AN6227-34	.210	.005	2.225	0.010
-332	AN6227-35	.210	.005	2.350	0.010
-333	AN6227-36	.210	.005	2.475	0.010
-334	AN6227-37	.210	.005	2.600	0.010
-335	AN6227-38	.210	.005	2.725	0.015
-336	AN6227-39	.210	.005	2.850	0.015
-337	AN6227-40	.210	.005	2.975	0.015
-338	AN6227-41	.210	.005	3.100	0.015
-339	AN6227-42	.210	.005	3.225	0.015

O-RINGS

DYNAMIC (ACTUATOR), and STATIC (GLAND) MS28775 for Hydraulic service with Mil-H-5606

ORDER BY the MS28775 Number, use the " A " series chart for sizing.

Example MS28775-(XXX), * = static use only, ns = non standard.

MS28775-(XXX) "A" series chart Size (XXX)	OLD AN6227 or AN6230 #	O-RING THICKNESS	TOLERANCE THICKNESS + or -	O-RING INSIDE DIAMETER	TOLERANCE O-RING I.D. + or -
-340	AN6227-43	.210	.005	3.350	0.015
-341	AN6227-44	.210	.005	3.475	0.015
-342	AN6227-45	.210	.005	3.600	0.015
-343	AN6227-46	.210	.005	3.725	0.015
-344	AN6227-47	.210	.005	3.850	0.015
-345	AN6227-48	.210	.005	3.975	0.015
-346	AN6227-49	.210	.005	4.100	0.015
-347	AN6227-50	.210	.005	4.225	0.015
-348	AN6227-51	.210	.005	4.350	0.015
-349	AN6227-52	.210	.005	4.475	0.015
-350 ns *	* = Static Only	.210	.005	4.600	0.015
-351 ns *	* = Static Only	.210	.005	4.725	0.015
-352 ns *	* = Static Only	.210	.005	4.850	0.015
-353 ns *	* = Static Only	.210	.005	4.975	0.015
-354 ns *	* = Static Only	.210	.005	5.100	0.023
-355 ns *	* = Static Only	.210	.005	5.225	0.023
-356 ns *	* = Static Only	.210	.005	5.350	0.023
-357 ns *	* = Static Only	.210	.005	5.475	0.023
-358 ns *	* = Static Only	.210	.005	5.600	0.023
-359 ns *	* = Static Only	.210	.005	5.725	0.023
-360 ns *	* = Static Only	.210	.005	5.850	0.023
-361 ns *	* = Static Only	.210	.005	5.975	0.023

Genuine Aircraft Hardware Company