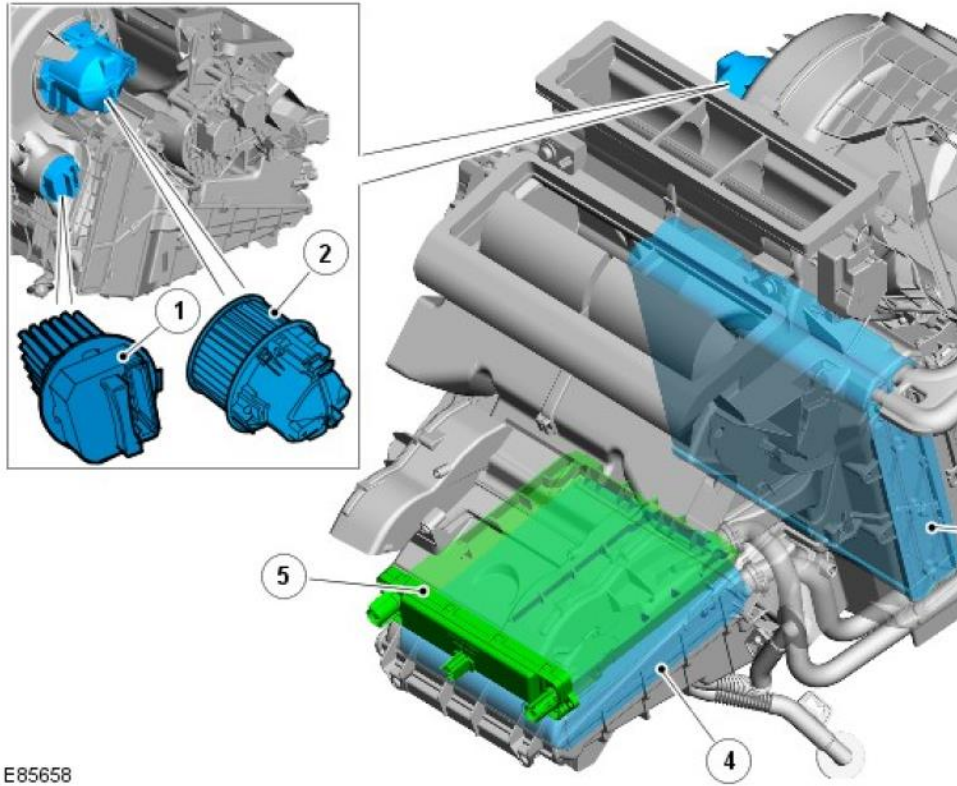


E76197

Air distribution and temperature is controlled by the Automatic Temperature Control (ATC) module on the control panel. In response to commands from the control panel, the ATC module controls one (single zone) or 5 (dual zone) stepper motors mounted on the heater assembly casing. For additional information, refer to: [Control Components](#) (412-01 Climate Control, Description and

HEATER ASSEMBLY



E85658

Item	Part Number	Description
1	-	Blower motor control module
2	-	Blower motor
3	-	Air Conditioning (A/C) evaporator
4	-	Heater core