

Vehicle: 2008 Land Rover LR2 (LF) L6-3.2L

[Vehicle](#) » [Technical Service Bulletins](#) » [All Technical Service Bulletins](#) » [Anti Theft - 'Hood Open Message'/Alarm Sounds for No Reason](#)

Anti Theft - 'Hood Open Message'/Alarm Sounds for No Reason

LTB00626NAS2
16 JUN 2015

SECTION: 419-01A
Alarm False Activation / 'Hood Open' Message Displayed on Instrument Cluster

LR2 (LF)	
Model Year:	2008-2014
VIN:	8H001002-EH429811
LR4 (LA)	
Model Year:	2010 Onwards
VIN:	AA510742 Onwards
Range Rover Evoque (LV)	
Model Year:	2012-2014
VIN:	CH000447-EH975956
Range Rover Sport (LW)	
Model Year:	2014 Onwards
VIN:	EA000002 Onwards
Range Rover (LG)	
Model Year:	2013 Onwards
VIN:	DA001204 Onwards
Range Rover Sport (LS)	
Model Year:	2010-2013
VIN:	AA212147-DA814822

Zoom

Sized for Print

AFFECTED VEHICLE RANGE:
MARKETS:
NAS

CONDITION SUMMARY:

Situation: One or more of the following issues may be evident:
^ The alarm is triggered for no apparent reason;
^ The 'Hood Open' message is displayed on the Instrument Cluster; and/or
^ A mislock sound is emitted when locking the vehicle.

Cause: These issues may be caused by a faulty hood open switch.

Action: Should the customer experience this concern, follow the appropriate Service Instruction (1 or 2) outlined below.

LR054331	Hood latch with integrated switch	Quantity: 1
----------	-----------------------------------	-------------

Zoom

Sized for Print

PARTS:

TOOLS:

No Tools Required



NOTE: Repair procedures are under constant review, and therefore times are subject to change; those quoted here must be taken as guidance only. Always refer to TOPIx to obtain the latest repair time.



NOTE: DDW requires the use of causal part numbers. Labor only claims must show the causal part number with a quantity of zero.

DESCRIPTION	SRO	TIME (HOURS)	CONDITION CODE	CAUSAL PART
Hood latch w/switch - Renew - LR2 (L359)	86.77.20	0.9	42	LR041431
Hood latch w/switch - Renew - LR4 (L319)	86.77.20	0.3	42	LR041431
Hood latch w/switch - Renew - Range Rover Evoque (L538)	86.77.20	0.4	42	LR041431
Hood latch w/switch - Renew - Range Rover Sport (L494)	86.77.20	0.3	42	LR041431
Hood latch w/switch - Renew - Range Rover Sport (L320)	86.77.20	0.3	42	LR041431
Hood latch w/switch - Renew - Range Rover (L405)	86.77.20	0.2	42	LR041431



NOTE: Normal Warranty procedures apply.

Zoom

Sized for Print

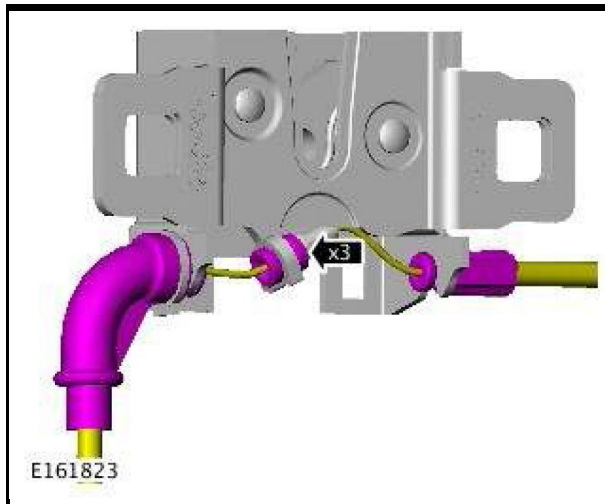
WARRANTY:

SERVICE INSTRUCTION 1

SERVICE INSTRUCTION '1' FOR ALL VEHICLES EXCEPT LR2 (L359)

NOTE : some components shown removed for clarity.

1. Refer to hood switch removal procedure (see TOPIx Workshop Manual, section 419-01A).



Zoom

Sized for Print

2. When switch is removed, disconnect the release cable and remove the hood latch.

3. To install, reverse the removal procedure aligning the latch as follows.

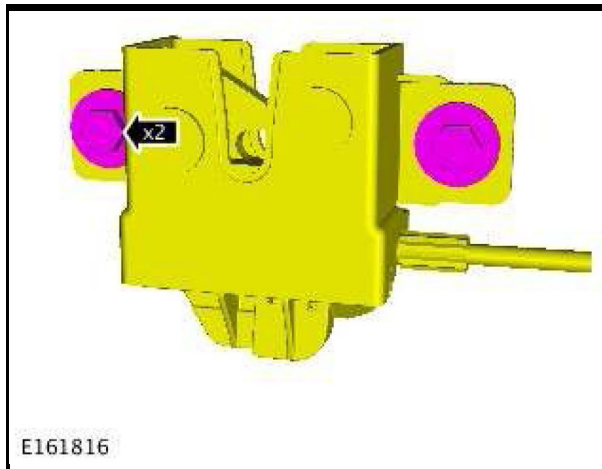
- ^ Loosen the two hood latch bolts.
- ^ Lower the hood and check for alignment.
- ^ Open the hood and tighten the bolts to 10Nm (7lbf ft).
- ^ Check the operation of the hood safety latch.
- ^ If necessary, repeat the above adjustment procedure.

SERVICE INSTRUCTION 2

SERVICE INSTRUCTION '2' FOR LR2 (L359) VEHICLES ONLY

NOTE : some components shown removed for clarity.

1. Remove the front bumper cover (see TOPIx Workshop Manual, section 501-19).

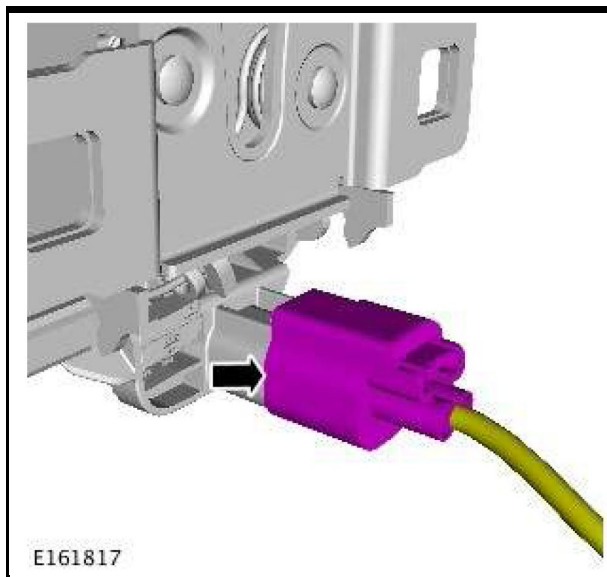


E161816

Zoom

Sized for Print

2. Remove the two fixing bolts and move the latch aside.

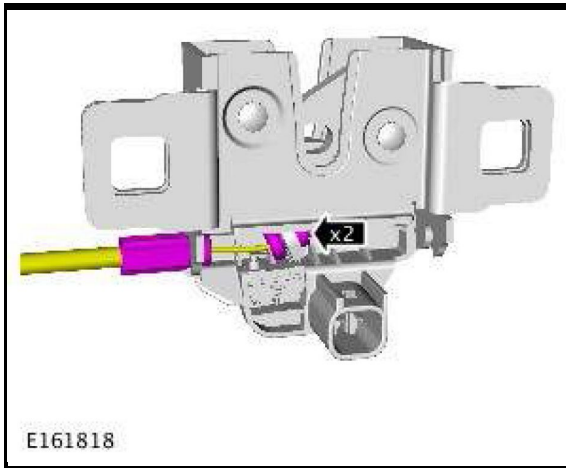


E161817

Zoom

Sized for Print

3. Disconnect the electrical connector on the hood switch.



E161818

Zoom

Sized for Print

4. Disconnect the cable and remove the hood latch.

5. To install, reverse the removal procedure aligning the latch as follows.

^ Loosen the two hood latch bolts.

^ Lower the hood and check for alignment.

^ Open the hood and tighten the bolts to 10Nm (7lbf ft).

^ Check the operation of the hood safety latch.

^ If necessary, repeat the above adjustment procedure.

NOTE: The information in Technical Information bulletins is intended for use by trained, professional technicians with the knowledge, tools, and equipment required to do the job properly and safely. It informs these technicians of conditions that may occur on some vehicles, or provides information that could assist in proper vehicle service. The procedures should not be performed by "do-it-yourselfers."
If you are not a Retailer, do not assume that a condition described affects your vehicle. Contact an authorized Land Rover service facility to determine whether the bulletin applies to a specific vehicle.