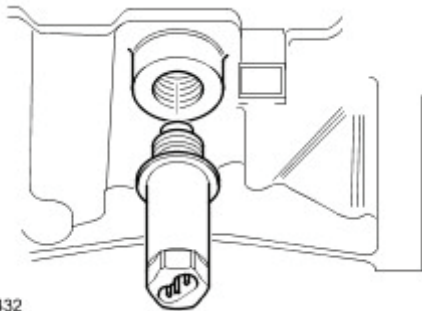


E43431

Item	Part Number	Description
1	-	Bolt
2	-	Starter motor
3	-	Bolt

The engine starter motor is installed at the rear right side of the engine, at the cylinder block to bedplate split line. For additional information, refer to [Starting System](#) (303-06B Starting System - 4.4L)

### Coolant Drain Plug/Heater



E43432

A coolant drain plug is installed on the rear left side of the cylinder block. On vehicles with the cold climate package, the cylinder block heater replaces the drain plug.

On vehicles destined for Canada, the coolant heater is installed during engine manufacture, but for Scandinavian vehicles the heater is supplied in kit form to be installed at the dealership.

### Coolant Pump