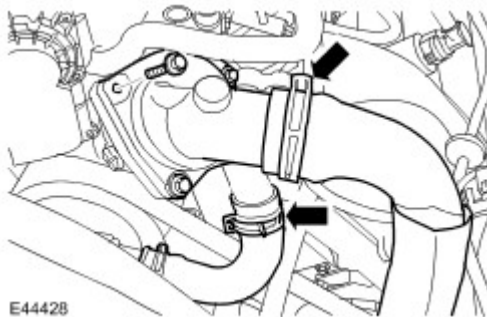


## Thermostat (26.45.01)

### Removal

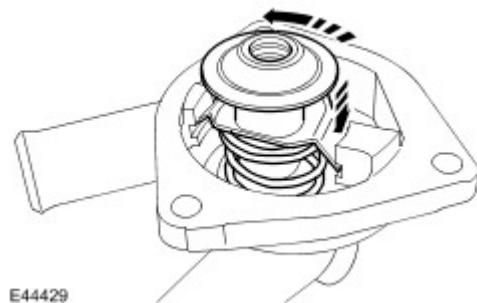
1. Disconnect the battery ground cable. For additional information, refer to [Specifications](#) (Section 414-00 Charging System - General Information)
2. Remove the thermostat housing.
  - ▶ Position a container to collect the fluid.
  - ▶ Disconnect the coolant hoses from the thermostat housing.
  - ▶ Remove the 3 bolts.
  - ▶ Remove and discard the seal.



3.  **WARNING: Eye protection must be worn.**


Remove the thermostat.

- ▶ Position the thermostat housing in a vice.
- ▶ Release and remove the thermostat.



### Installation

1. Clean the thermostat cover and housing mating faces.
2. To install, reverse the removal procedure.
  - ▶ Install a new thermostat seal.

 Tighten the bolts to 10 Nm (7 lb.ft).

3 . Top up and bleed the coolant.