



Selector Shaft Seal (44.15.34)

Special Service Tools



ZF Automatic transmission selector shaft seal remover
307-509-1 (LRT-44-033/1)



ZF Automatic transmission selector shaft seal remover
307-509-2 (LRT-44-033/2)



ZF Automatic transmission selector shaft seal installer
307-509-3 (LRT-44-033/3)

Removal

1.



WARNING: Do not work on or under a vehicle supported only by a jack. Always support the vehicle on safety stands.

Raise and support the vehicle.

2.

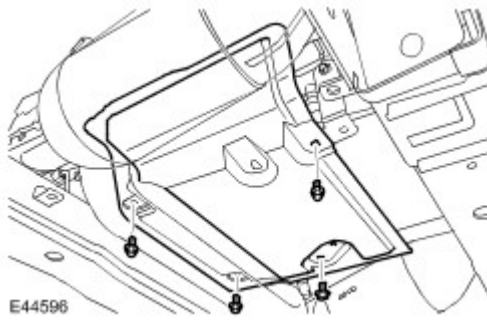
LH selector shaft seal only: Remove the exhaust system. For additional information, refer to [Exhaust System \(30.10.08\)](#) (Section 309-00A)

3.

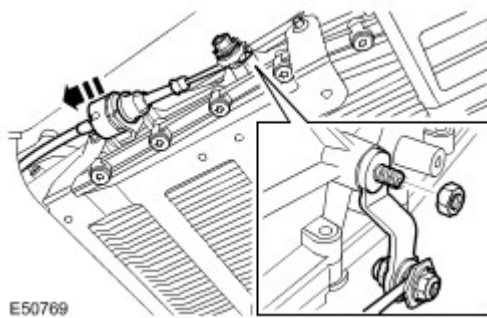
Remove the transmission heat shield.




Remove the 4 bolts.



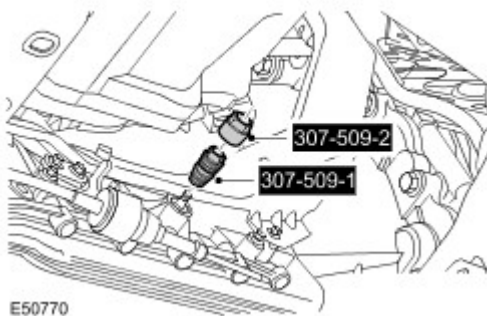
4. Release the selector cable and lever.
- ▶ Remove the nut.
 - ▶ Compress the latch and release the cable.



5.  **CAUTION:** Before the disconnection or removal of any components, ensure the area around joint faces and connections are clean. Plug any open connections to prevent contamination.

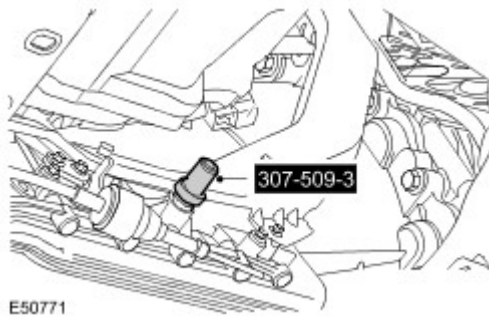
Remove the selector shaft seal.

- ▶ Install 307-509-1 to the seal.
- ▶ Install 307-509-2 to 307-509-1 and extract the seal.



Installation

1. Using 307-509-3, install the selector shaft seal.
- ▶ Clean the components.



2. Install the selector cable and bracket.
 - ▶ Secure with the clip.
 - ▶ Tighten the nut to 12 Nm (9 lb.ft).
3. Install the transmission heat shield.
 - ▶ Install the bolts.
4. LH selector shaft seal only: Install the exhaust system. For additional information, refer to [Exhaust System \(30.10.08\)](#) (Section 309-00A)