



Roof Opening Panel Motor (76.84.07)

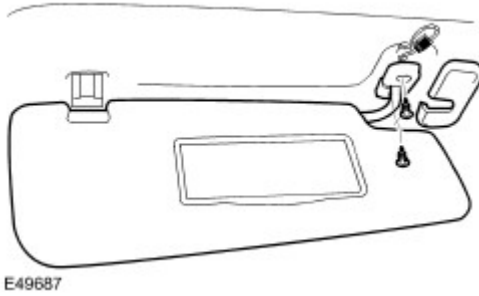
Removal

1. Remove both A-pillar upper trim panels. For additional information, refer to [A-Pillar Trim Panel \(76.13.26\)](#) (Section 501-05 Interior Trim and Ornamentation)
2. Remove both B-pillar upper trim panels. For additional information, refer to [B-Pillar Upper Trim Panel \(76.13.28\)](#) (Section 501-05 Interior Trim and Ornamentation)
3. Remove the front overhead console.
 - ▶ Carefully release the 7 clips.
 - ▶ Disconnect the electrical connector.



E50142

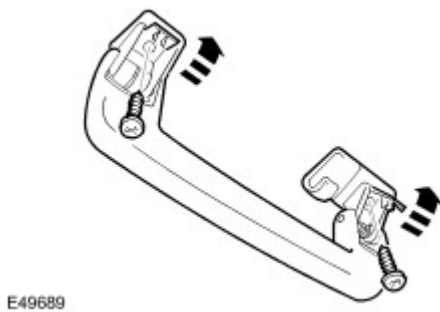
4. Remove the sun visor.
 - ▶ Remove the cover.
 - ▶ Remove the 2 screws.
 - ▶ Release from the clip.
 - ▶ Disconnect the electrical connector.
 - ▶ Repeat the above procedure for the other side.



5. Remove the sun visor retaining clip.
 - ▶ Release the screw cover.
 - ▶ Remove the screw.
 - ▶ Repeat the above procedure for the other side.



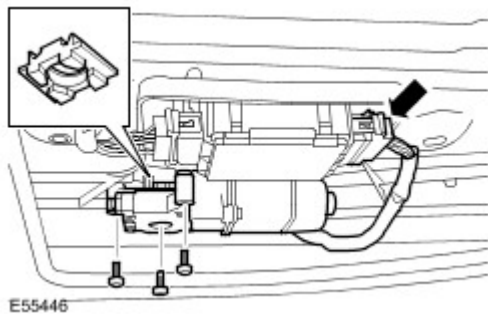
6. Remove the passenger assist handle.
 - ▶ Release the 2 screw covers.
 - ▶ Remove the 2 screws.
 - ▶ Repeat the above procedure for the other side.



7. Lower the headliner for access.
 - ▶ Release the 4 clips.



8. Remove the roof opening panel motor.
 - ▶ Disconnect the electrical connector.
 - ▶ Remove the 3 Torx screws.
 - ▶ Remove the spacer.



Installation

1. Install the roof opening panel motor.
 - ▶ Install the spacer.
 - ▶ Tighten the Torx screws to 4 Nm (3 lb.ft).
 - ▶ Connect the electrical connector.
2. Position the headliner.
 - ▶ Secure with the clips.
3. Install the passenger assist handles.
 - ▶ Install the screws.
 - ▶ Secure the screw covers.
4. Install the sun visors.
 - ▶ Install the clips.
 - ▶ Install the screws.
 - ▶ Install the screw covers.
 - ▶ Connect the electrical connectors.

- 5 . Install the front overhead console.
 - ▶ Connect the electrical connector.
 - ▶ Carefully secure the clips.

- 6 . Install both B-pillar upper trim panels. For additional information, refer to [B-Pillar Upper Trim Panel \(76.13.28\)](#) (Section 501-05 Interior Trim and Ornamentation)

- 7 . Install both A-pillar upper trim panels. For additional information, refer to [A-Pillar Trim Panel \(76.13.26\)](#) (Section 501-05 Interior Trim and Ornamentation)

- 8 . Using T4, configure a new roof opening panel motor.

- 9 . If the battery has been disconnected, the one touch and anti-trap function will become inoperative. Close the roof opening panel and continue to hold the switch for a further 20 seconds to allow the sunroof to complete a full cycle. This will complete the roof opening panel calibration routine and reset these functions.