

Front Door Trim Panel (76.34.01)

Removal

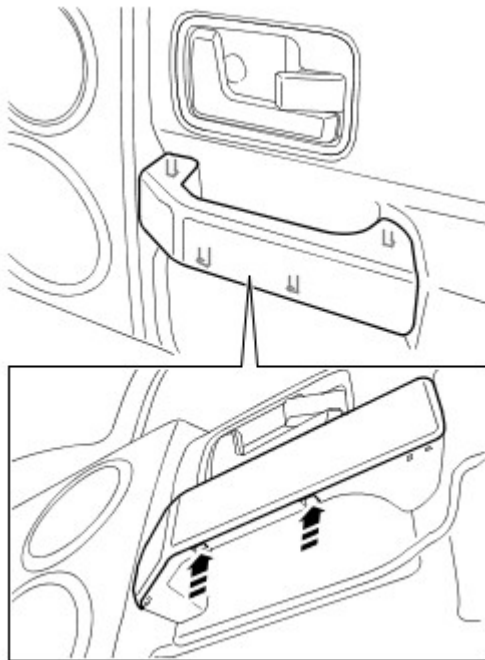
1.



CAUTION: Release the 2 lower clips first, use the access holes.

Remove the grab handle cover.

▶ Release the 4 clips.



E43313

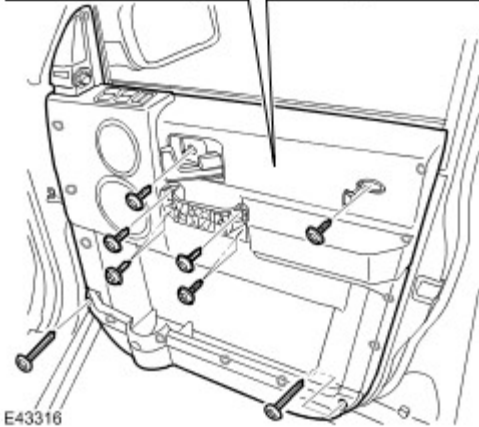
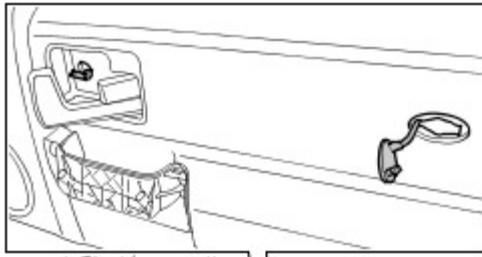
2.

Release the front door trim panel.

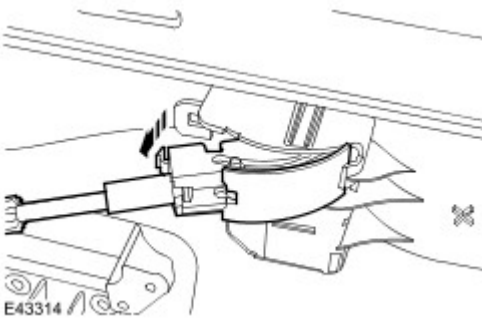
▶ Release the 2 screw covers.

▶ Remove the 8 screws.

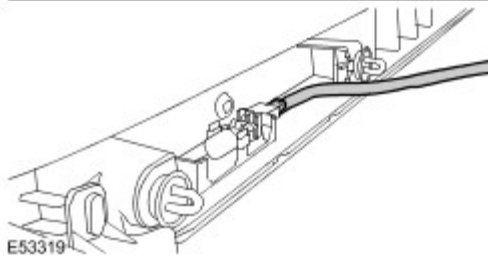
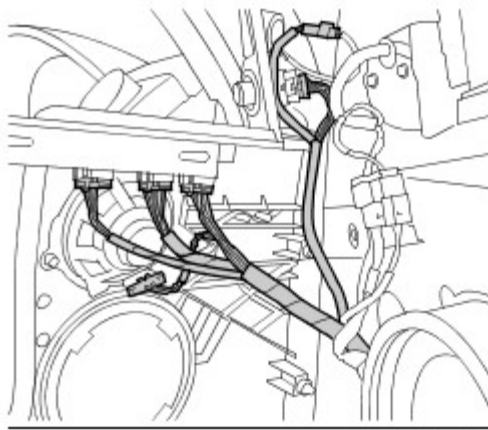
▶ Release the 12 clips.



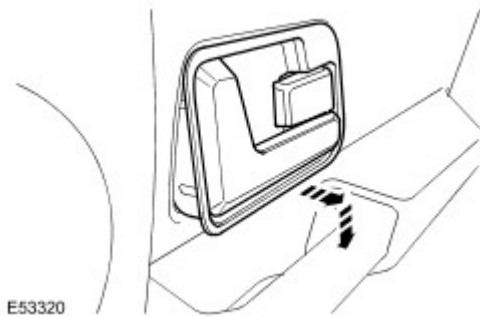
3. Disconnect the door latch remote release cable.



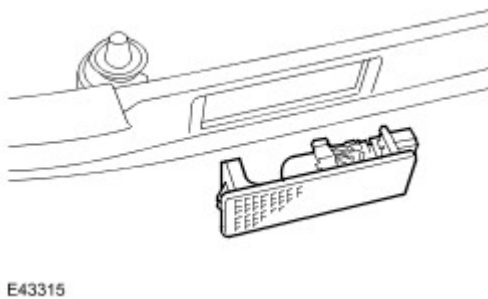
4. Remove the front door trim panel.
▶ Disconnect the 7 electrical connectors.



5. **NOTE :**
Do not disassemble further if the component is removed for access only.
Remove the front door latch remote control handle.
▶ Starting at the lower edge, carefully release the remote handle.



6. Remove the puddle lamp.
▶ Carefully release the lamp.

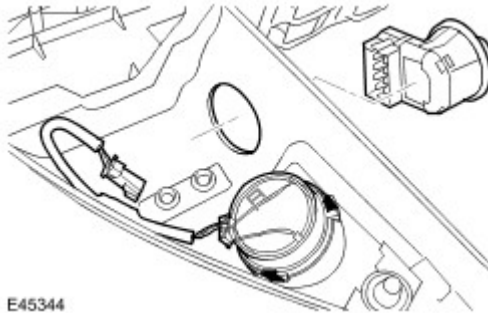


7. Remove the tweeter.

▶ Release the 3 clips.

8. Remove the mirror control switch.

▶ Release the 2 clips.



E45344

9. Remove the speaker.

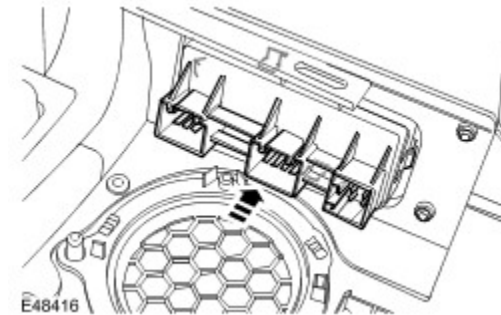
▶ Remove the 3 Torx screws.



E45348

10. Remove the window control switch.

▶ Carefully release the 4 clips.



E48416

11. Remove the 12 clips.



E43317

Installation

1. Install the window control switch.
 - ▶ Secure with the clips.
2. Install the speaker
 - ▶ Tighten the Torx screws.
3. Install the mirror control switch.
 - ▶ Secure with the clips.
4. Install the tweeter.
 - ▶ Secure with the clips.
5. Install the puddle lamp.
6. Install the front door latch remote control handle.
7. Install the clips.
8. Install the front door trim panel.
 - ▶ Connect the electrical connectors.
 - ▶ Connect the door latch remote control cable.
 - ▶ Secure with the clips.
 - ▶ Tighten the screws.
 - ▶ Install the screw cover.
9. Install the grab handle cover.