

Stabilizer Bar (64.35.08)

Removal



CAUTION: It is possible to install the stabilizer bar incorrectly. Note the position of the stabilizer bar before removal.

1.



WARNING: Do not work on or under a vehicle supported only by a jack. Always support the vehicle on safety stands.

Raise and support the vehicle.

2.

Remove the rear bumper cover. For additional information, refer to [Rear Bumper Cover \(76.22.74\)](#) (Section 501 -19)

3.

Remove the spare wheel and tire.

4.

Raise the vehicle.

5.

Remove the rear wheels and tires.

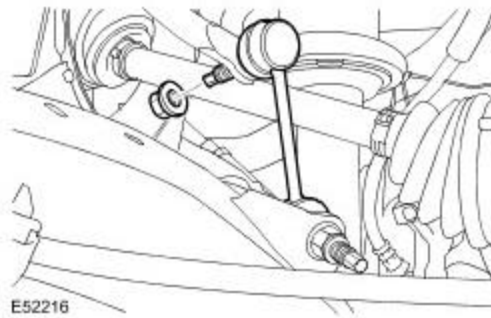
6.



CAUTION: Use a wrench on the hexagon provided to prevent the ball joint rotating.

Release both stabilizer bar links.

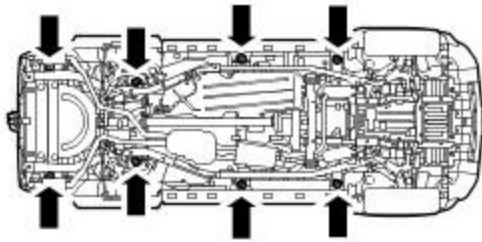
➤ Remove the 2 nuts.



7.

Remove the body mount retaining bolts.

➤ Remove the 8 bolts.



E52217

8.



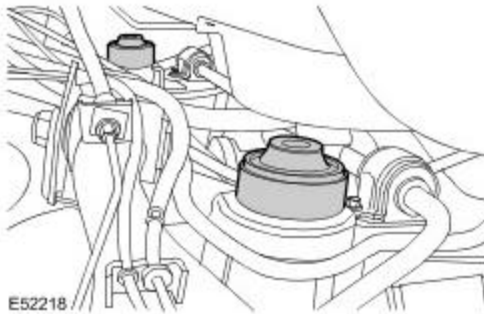
CAUTION: Only raise the body sufficiently to remove the body mount.

Raise the body.

- ▶ Using suitable stands, raise the body to release the body mounts.

9.

Remove the 2 rear body mounts.

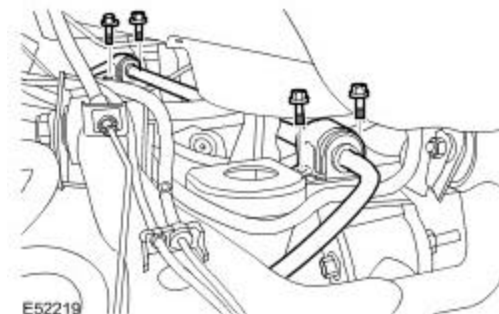


E52218

10.

Remove the stabilizer bar bushing.

- ▶ Remove the stabilizer bar clamps.
- ▶ Remove the 4 bolts.



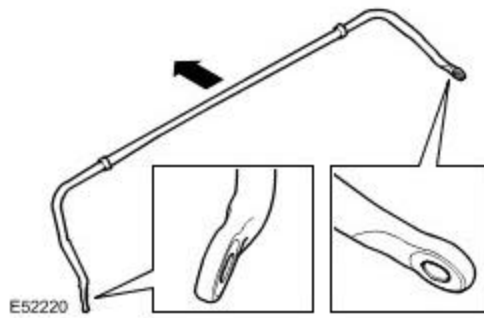
E52219

11.




CAUTION: Mark the position of the stabilizer bar.

Remove the stabilizer bar.



Installation

1.  **CAUTION: Make sure the stabilizer bar is correctly installed.**
Install the stabilizer bar.
2. Install the stabilizer bar bushing.
3. Install the stabilizer bar clamps.
 - ▶ Tighten the 4 retaining bolts to 62 Nm (46 lb.ft).
4. Install the body mounts.
5. Lower the body.
 - ▶ Remove the stands.
6. Install the body mount retaining bolts.
 - ▶ Tighten the 8 retaining bolts to 133 Nm (83 lb.ft).
7. Attach both stabilizer bar links.
 - ▶ Tighten the nuts to 115 Nm (85 lb.ft).
8. Install the wheels and tires.
9. Lower the vehicle.
10. Install the spare wheel and tire.
11. Install the rear bumper cover. For additional information, refer to [Rear Bumper Cover \(76.22.74\)](#) (Section 501-19)