


Rear Door Trim Panel (76.34.04)

Removal

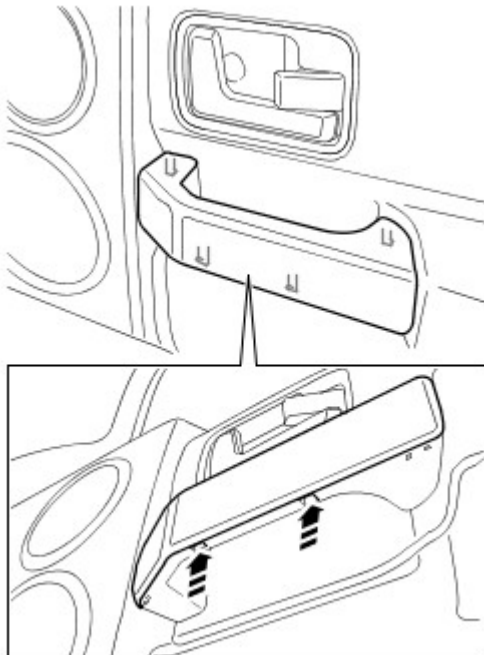
1.  **CAUTION: Release the 2 lower clips first, using the access holes.**

Remove the grab handle cover.

- ▶ Release the 4 clips.

2. Remove the screw securing the door latch remote release.

- ▶ Release the screw cover.



E43313

3. Release the rear door trim panel.

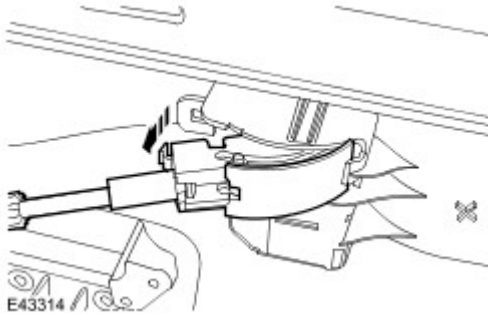
- ▶ Remove the 6 screws.

- ▶ Release the 13 clips.

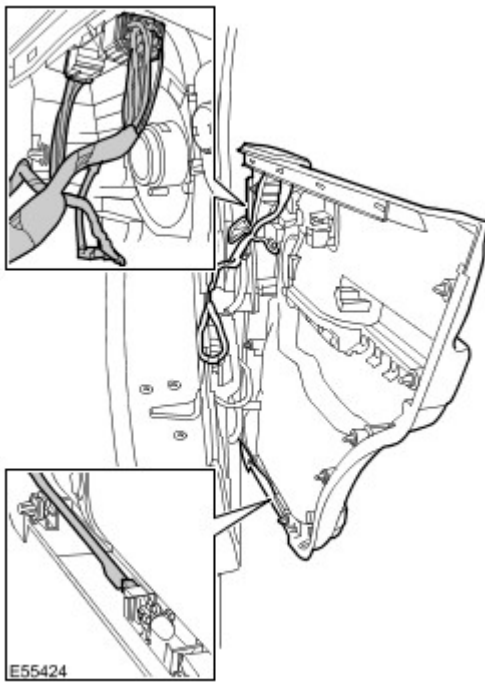


E43336

4. Disconnect the door latch remote release cable.



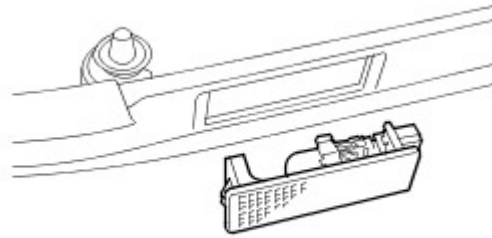
5. Remove the rear door trim panel.
▶ Disconnect the 4 electrical connectors.



6. **NOTE :**
Do not disassemble further if the component is removed for access only.
Remove the rear door latch remote control handle.
▶ Starting at the lower edge, carefully release the remote handle.



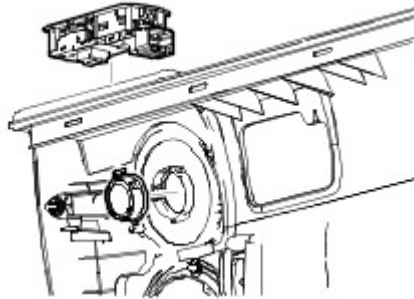
7. Remove the puddle lamp.
▶ Carefully release the lamp.



E43315

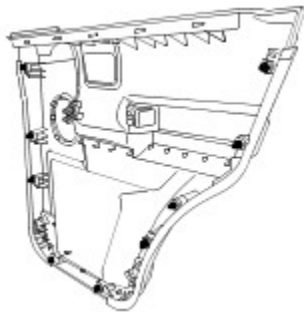
8. Remove the window control switch.
▶ Carefully release the clips.

9. Remove the tweeter.



E46284

10. Remove the 9 clips.



E43340

Installation

1. Install the window control switch.
▶ Secure with the clips.
2. Install the tweeter.
▶ Secure with the clips.
3. Install the puddle lamp.

- 4 . Install the rear door latch remote control handle.
- 5 . Install the clips.
- 6 . Install the rear door trim panel.
 - ▶ Connect the electrical connectors.
 - ▶ Connect the door latch remote control cable.
 - ▶ Secure with the clips.
 - ▶ Tighten the screws.
- 7 . Install the screw securing the door latch remote release.
 - ▶ Secure the screw cover.
- 8 . Install the grab handle cover.