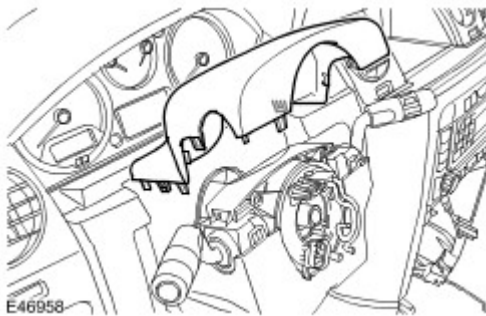


Instrument Cluster (80.20.01.99)

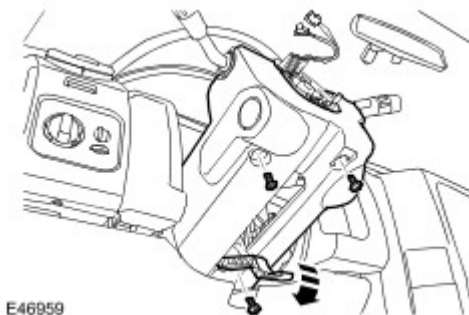
Removal

1. Fully extend the steering column for access.
2. Remove the steering wheel. For additional information, refer to [Steering Wheel \(57.61.01\)](#) (Section 211-04 Steering Column)
3. Remove the steering column upper shroud.

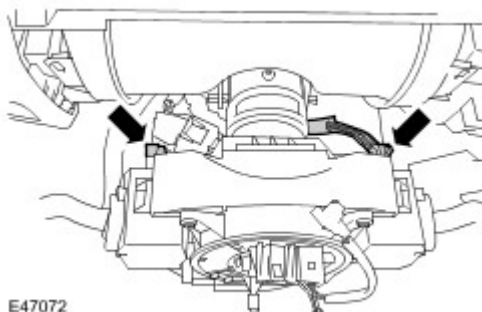
▶ Release the 4 clips.



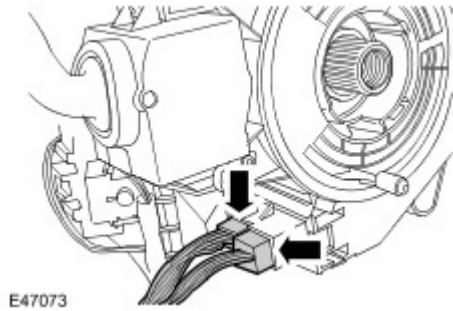
4. Remove the steering column lower shroud.
 - ▶ Remove the 3 Torx screws.
 - ▶ Release the steering column adjustment lever.



5. Disconnect the 2 electrical connectors from the steering column multifunction switches.

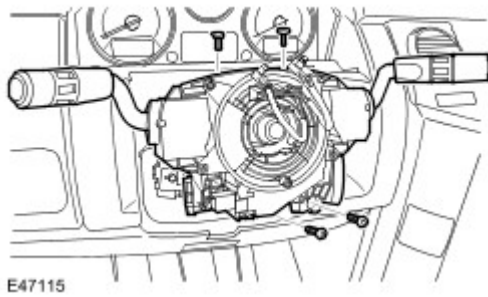


6. Disconnect the 2 electrical connectors from the clockspring.



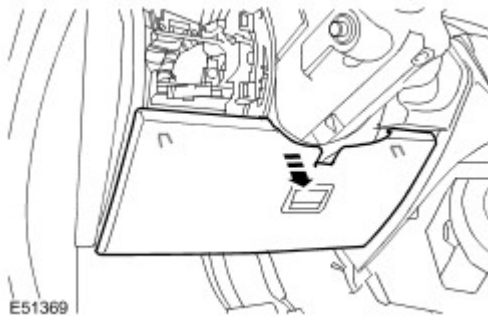
7. Remove the steering column switch assembly.

▶ Remove the 4 Torx bolts.



8. Remove the instrument panel access panel.

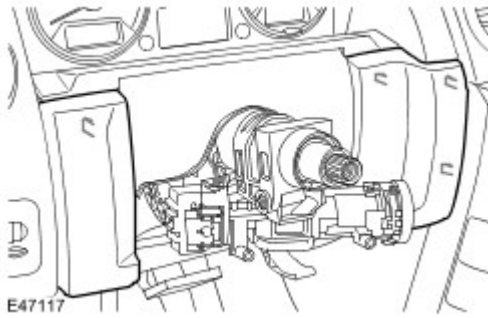
▶ Release the 2 clips.



9. Remove the steering column side trim panel.

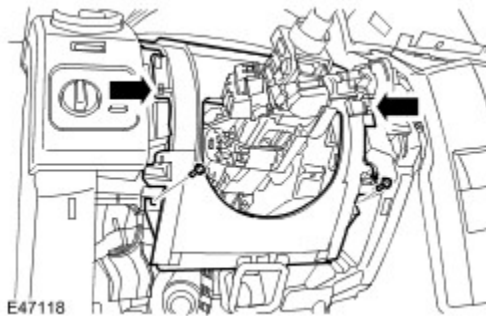
▶ Release the clips.

▶ Repeat the above procedure for the other side.



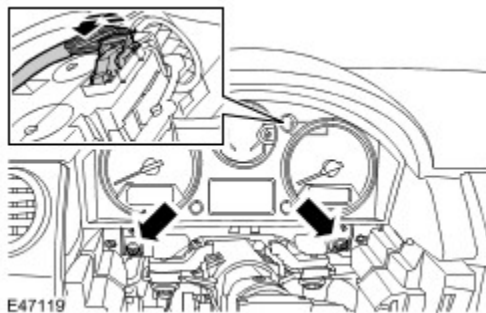
10. Remove the steering column gaiter panel.

- ▶ Remove the 2 Torx screws.
- ▶ Release the 2 clips.



11. Remove the instrument cluster.

- ▶ Remove the 2 Torx screws.
- ▶ Disconnect the electrical connector.



Installation

1. Install the instrument cluster.
 - ▶ Connect the electrical connector.
 - ▶ Tighten the Torx screws.
2. Install the steering column gaiter panel.
 - ▶ Secure with the clips.
 - ▶ Tighten the Torx screws.

- 3 . Install the steering column side trim panel.
 - ▶ Secure with the clip.
 - ▶ Repeat the above procedure for the other side.
- 4 . Install the instrument panel access panel.
 - ▶ Secure with the clips.
- 5 . Install the steering column switch assembly.
 - ▶ Tighten the Torx bolts to 3 Nm (2 lb.ft).
- 6 . Connect the clockspring and multifunction switch electrical connectors.
- 7 . Install the steering column shrouds.
 - ▶ Tighten the Torx screws.
- 8 . Install the steering wheel. For additional information, refer to [Steering Wheel \(57.61.01\)](#) (Section 211-04 Steering Column)
- 9 . Using T4, configure a new instrument cluster.