




Fluid Pan, Gasket and Filter (44.24.04)

Removal


1. Remove the battery compartment side wall. For additional information, refer to [Battery Tray \(76.10.30\)](#) (Section 414-01)

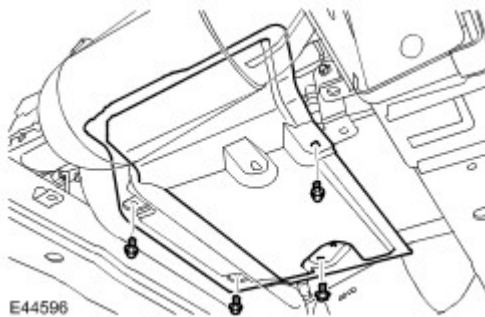
2.  **WARNING: Do not work on or under a vehicle supported only by a jack. Always support the vehicle on safety stands.**

Raise and support the vehicle.

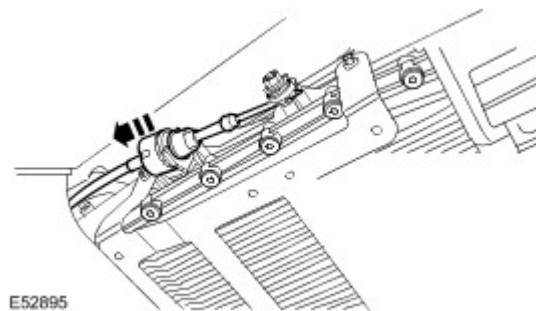
3. Remove the exhaust system. For additional information, refer to [Exhaust System \(30.10.08\)](#) (Section 309-00)

4. Remove the transmission heat shield.


 Remove the 4 bolts.

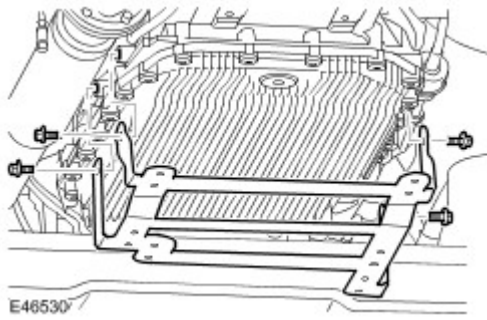


5. Release the selector cable from its abutment bracket.

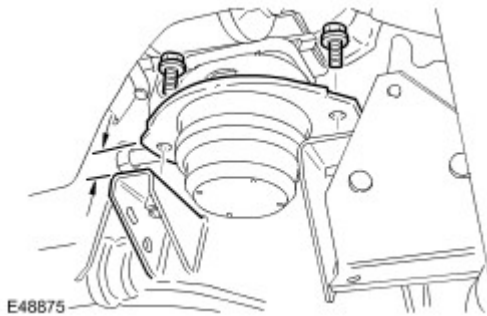


6. Remove the transmission heat shield bracket.

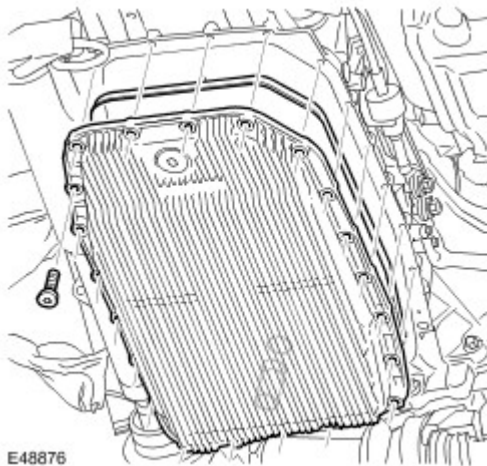
 Remove the 4 bolts.



7. Drain the transmission. For additional information, refer to (Section 307-01B)
8. Raise the RH side of the engine by approximately 40 mm.
 - ▶ Use a transmission jack.
 - ▶ Remove the 2 bolts.



9. Remove the fluid pan.
 - ▶ Position a container to collect the fluid spillage.
 - ▶ Remove the 21 Torx screws.
 - ▶ Remove and if necessary, discard the seal.
 - ▶ Discard the O-ring seal.



Installation

- 1 . Install the fluid pan.
 - ▶ Clean the components.
 - ▶ Install the seal.
 - ▶ Install a new O-ring seal.
 - ▶ Tighten the Torx screws to 8 Nm (6 lb.ft).

- 2 . Lower the RH side of engine.
 - ▶ Remove the engine support.
 - ▶ Tighten the bolts to 45 Nm (33 lb.ft).

- 3 . Install the transmission heat shield bracket.
 - ▶ Tighten the 4 bolts to 10 Nm (7 lb.ft).
 - ▶ Connect the selector cable to its abutment bracket.

- 4 . Install the transmission heat shield.
 - ▶ Tighten the bolts to 10 Nm (7 lb.ft).

- 5 . Install the exhaust system. For additional information, refer to [Exhaust System \(30.10.08\)](#) (Section 309-00)

- 6 . Install the battery compartment side wall. For additional information, refer to [Battery Tray \(76.10.30\)](#) (Section 414-01)

- 7 . Refill the transmission with fluid. For additional information, refer to (Section 307-01B)