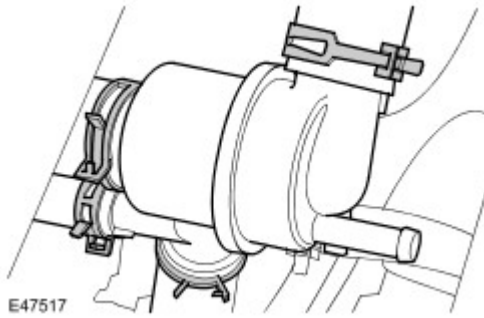


## Thermostat (26.45.01)

### Removal

1. Drain the cooling system. For additional information, refer to [Cooling System Draining, Filling and Bleeding \(26.10.01\)](#) (Section 303-03)
2. Remove the thermostat.
  - ▶ Release the clips and disconnect the 4 remaining coolant hoses.



### Installation

1. To install, reverse the removal procedure.
2. Refill the cooling system. For additional information, refer to [Cooling System Draining, Filling and Bleeding \(26.10.01\)](#) (Section 303-03)