

Ride and Handling Optimization Switch (86.65.11)

Removal

NOTE:

Automatic transmission shown. Manual transmission is similar.

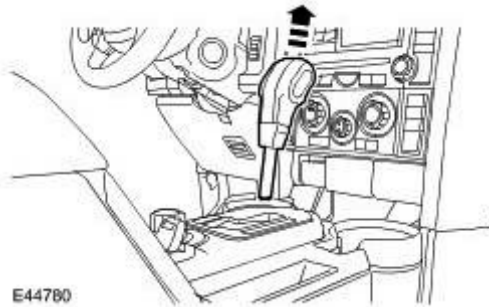
1.



WARNING: The gear lever knob will be released suddenly, keep face clear during removal.

Remove the selector lever knob.

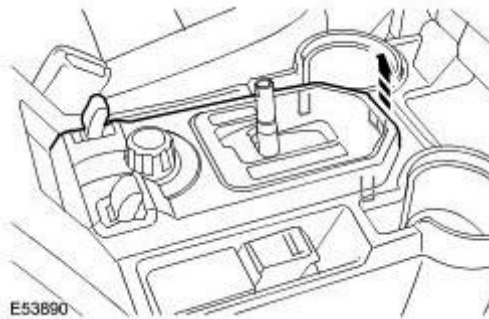
► Pull the knob upwards.



2.

Release the ride and handling optimization switch assembly.

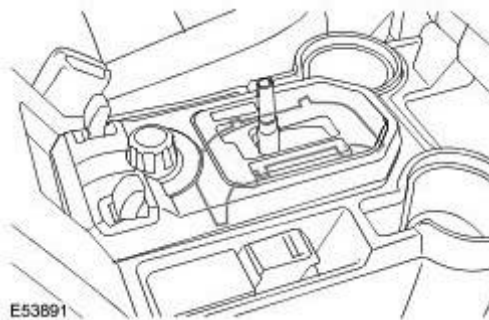
► Release the 4 clips.



3.

Release the selector lever panel.

► Release the 4 clips.



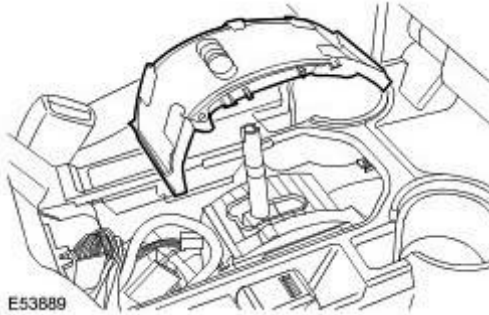
4.

Remove the ride and handling optimization switch assembly.

- ▶ Disconnect the 2 electrical connectors.




5. Remove the selector lever panel.



Installation

1. Install the selector lever panel.
2. Install the ride and handling optimization switch assembly.
 - ▶ Connect the electrical connectors.
 - ▶ Secure the selector lever trim panel.

3.  **CAUTION: Only fit the selector knob when the selector lever is in the 'P' position.**

Install the selector lever knob.

- ▶ Engage the locating tang of the knob with the slot in the selector lever.
- ▶ Push the knob fully onto the selector lever.