



Glove Compartment (76.52.03)

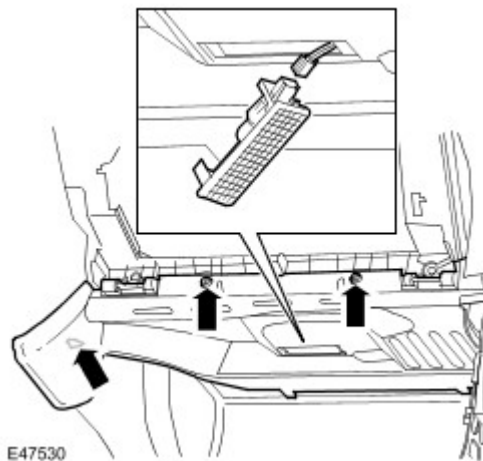
Special Service Tools



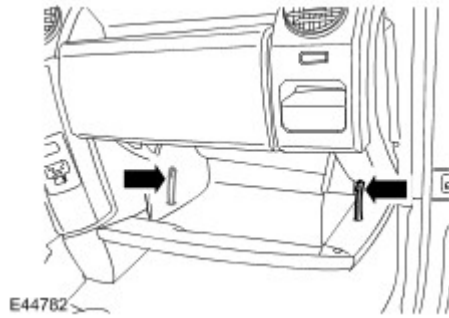
Glove compartment hinge pin remover
501-113

Removal

1. Remove the cowl side trim panel. For additional information, refer to [Cowl Side Trim Panel \(76.13.27\)](#) (Section 501-05)
2. Remove the closing trim panel.
 - ▶ Release the clip.
 - ▶ Remove the 2 screws.
 - ▶ Disconnect the electrical connector.



3. Open the glove compartment to the service condition.
 - ▶ Release the glove compartment latch stops.



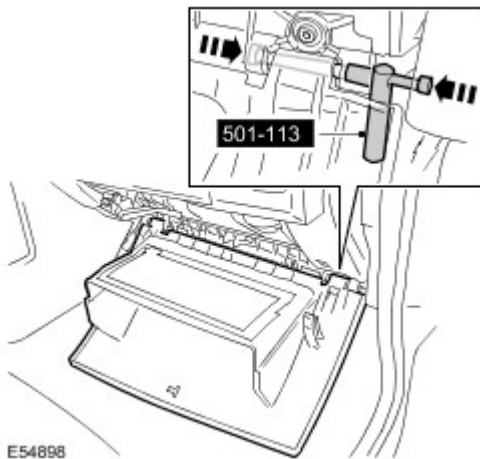
4.



CAUTION: If the hinge pin will not release, rotate the pin through 90 degrees to aid removal.

Using the special tool, remove the glove compartment.

- ▶ Apply pressure to the head of the hinge pin and install the special tool. Remove the hinge pin.
- ▶ Repeat the above procedure for the remaining hinge pin.



Installation

1. Install the glove compartment.
 - ▶ Install the hinge pins.
2. Close the glove compartment.
 - ▶ Secure the latch stops.
3. Install the closing trim panel.
 - ▶ Connect the electrical connector.
 - ▶ Secure the clip.
 - ▶ Tighten the screws.
4. Install the cowl side trim panel. For additional information, refer to [Cowl Side Trim Panel \(76.13.27\)](#) (Section 501-05)

