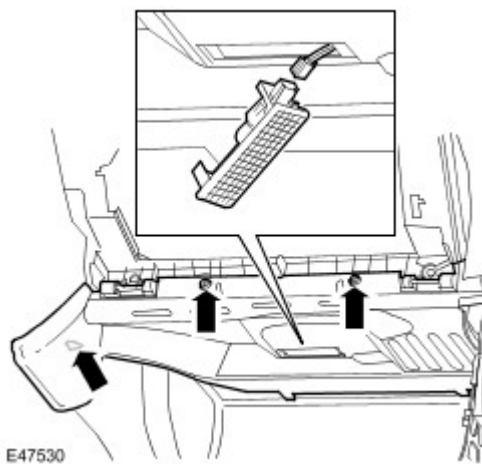




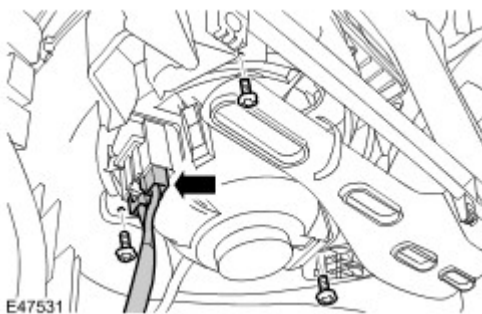
Blower Motor (80.20.15)

Removal

1. Remove the glove compartment. For additional information, refer to [Glove Compartment \(76.52.03\)](#) (Section 501-12)
2. Remove the passenger side closing trim panel.
 - ▶ Release the clip.
 - ▶ Remove the 2 screws.
 - ▶ Disconnect the electrical connector.



3. Position the footwell duct aside for access.
 - ▶ Release the clip.



4. Remove the blower motor.
 - ▶ Disconnect the electrical connector.
 - ▶ Remove the 3 screws.

Installation

1. Install the blower motor.

- ▶ Tighten the screws.
 - ▶ Connect the electrical connector.
- 2 . Secure the footwell duct.
- ▶ Install the clip.
- 3 . Install the closing trim panel.
- ▶ Connect the electrical connector.
 - ▶ Secure the clip.
 - ▶ Tighten the screws.
- 4 . Install the glove compartment. For additional information, refer to [Glove Compartment \(76.52.03\)](#)
(Section 501-12)