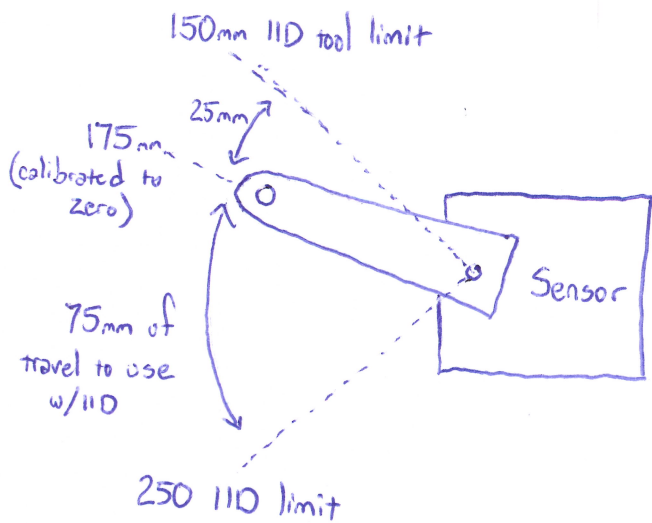


→ Calibrated to "zero" at ride height of 466mm



→ Calibrated to "zero" at ride height of 466mm

\* Car sits at same zero height in both instances, but the lower figure allows for more upward suspension travel (lower sensor arm travel) because of where in its 100mm range it has been calibrated.