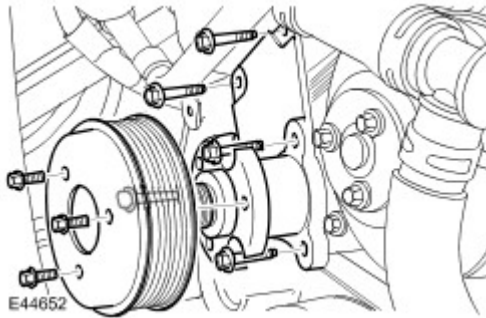




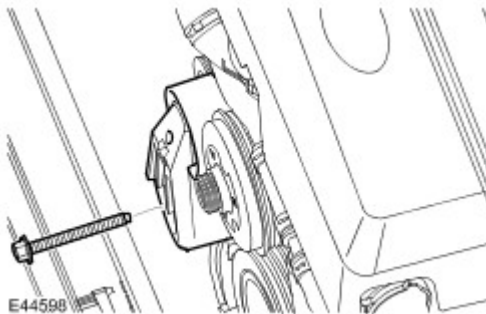
Accessory Drive Belt (86.10.03)

Removal

1. Disconnect the battery ground cable. For additional information, refer to [Specifications](#) (Section 414-00)
2. Remove the viscous fan drive belt. For additional information, refer to [Cooling Fan Belt \(26.25.01\)](#) (Section 303-05)
3. Remove the cooling fan drive pulley.
 - ▶ Remove the 3 bolts.
4. Remove the cooling fan drive hub bearing.
 - ▶ Remove the 5 bolts.



5. Remove the cooling fan belt tensioner.
 - ▶ Remove the bolt.



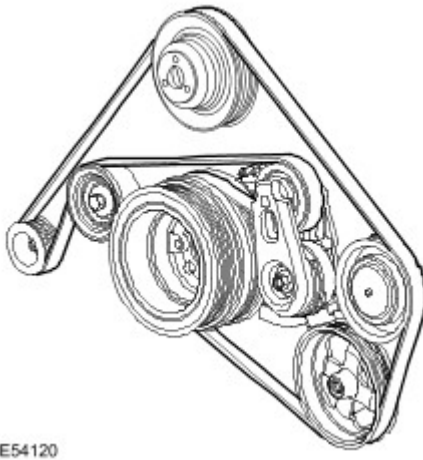
6. Release the accessory drive belt.
 - ▶ Rotate the accessory drive belt tensioner counterclockwise.



7. **NOTE :**
Note the fitted position.
Remove the accessory drive belt.

Installation

1. Install the accessory drive belt.



2. Install the cooling fan belt tensioner.
 - ▶ Tighten the M10 bolt to 45 Nm (33 lb.ft).
3. Install the cooling fan drive hub bearing.
 - ▶ Tighten the bolts to 10 Nm (7 lb.ft).
4. Install the cooling fan drive pulley.
 - ▶ Tighten the bolts evenly to 25 Nm (18 lb.ft).
5. Install the viscous fan drive belt. For additional information, refer to [Cooling Fan Belt \(26.25.01\)](#) (Section 303-05)
6. Connect the battery ground cable. For additional information, refer to [Specifications](#) (Section 414-00)