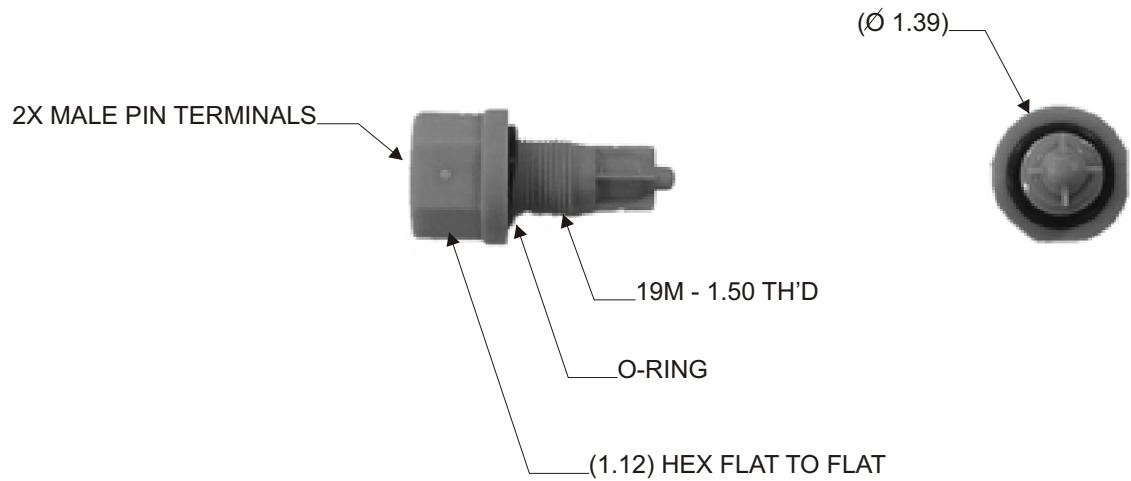



PART NO. SU8781

TOLERANCES UNLESS SPECIFIED		
TWO PLACE DECIMALS +/- .015	THREE PLACE DECIMALS +/- .005	ANGLES +/- 1°



REPLACES O.E.# DY-1025, 4L3Z-12A648-AB

				MATERIAL	N/A	SCALE	NTS	 MANUFACTURING, L.P. FOND DU LAC, WISCONSIN	
				FINISH	N/A	DATE	04-10-07		DWN. BY
						ENGINEER	04-10-07		DAL
						APPROVED	04-10-07		JSK
	RELEASED DRAWING	30444A	04-10-07	KFJ		PURCH.	<input type="checkbox"/>	PROD.	<input type="checkbox"/>
L	REVISION	CN	DATE	BY	CAD REF.	MODEL	N/A	PART NO.	SU8781
								TITLE	COOLANT TEMPERATURE SENSOR