

Front Driveshaft - 4.4L (47.15.02)

Removal



CAUTION: It is possible to fit the driveshaft incorrectly. Note the orientation before removal.

1. Disconnect the battery ground cable. For additional information, refer to [Specifications](#) (Section 414-00)

2.



WARNING: Do not work on or under a vehicle supported only by a jack. Always support the vehicle on safety stands.

Raise and support the vehicle.

3. Remove the exhaust system. For additional information, refer to [Exhaust System \(30.10.08\)](#) (Section 309-00)

4.



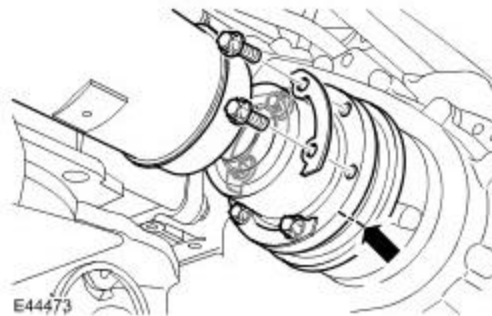
CAUTION: Mark the position of the driveshaft flange in relation to the drive pinion flange.



CAUTION: To avoid damage to the joint or gaiter, do not allow the driveshaft to hang.

Release the driveshaft from the transfer case drive flange.

- ▶ Remove the 6 Torx bolts and washers, discard the bolts.



5.



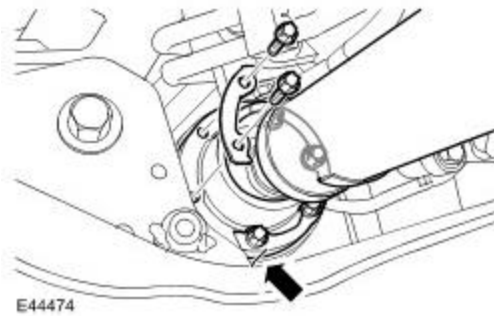
CAUTION: Mark the position of the driveshaft flange in relation to the drive pinion flange.



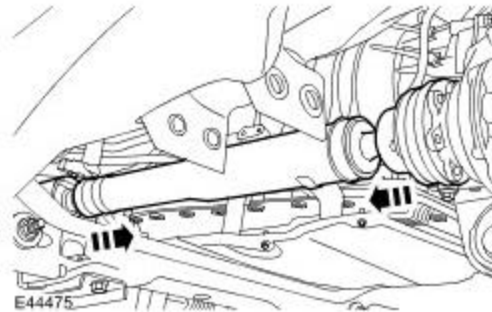
CAUTION: To avoid damage to the joint or gaiter, do not allow the driveshaft to hang.

Release the driveshaft from the front axle drive flange.

- ▶ Remove the 6 Torx bolts and washers, discard the bolts.



6. Remove the front driveshaft.
 - ▶ Compress the joints to disengage the drive flanges.



Installation

1. Install the driveshaft.
 - ▶ Clean the components.
 - ▶ Compress the joints to engage the drive flanges.
2. Attach the driveshaft to the front axle drive flange.
 - ▶ Tighten the new Torx bolts to 45 Nm (33 lb.ft), then a further 90 degrees.
3. Attach the driveshaft to the transfer case drive flange.
 - ▶ Tighten the new Torx bolts to 45 Nm (33 lb.ft), then a further 90 degrees.
4. Install the exhaust system. For additional information, refer to [Exhaust System \(30.10.08\)](#) (Section 309-00)
5. Connect the battery ground cable. For additional information, refer to [Specifications](#) (Section 414-00)