

PUBLISHED: 21-NOV-2016
2017.0 DISCOVERY (LR), 303-12

INTAKE AIR DISTRIBUTION AND FILTERING - V6 S/C 3.0L PETROL

LEFT AIR CLEANER (G1947790)

REMOVAL AND INSTALLATION

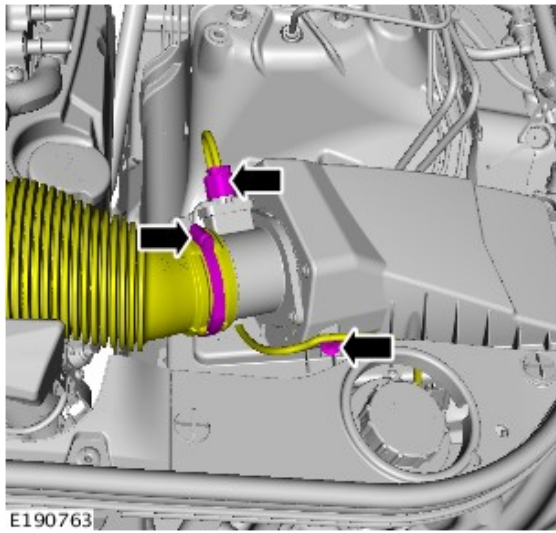
19.10.03	AIR CLEANER - LH - RENEW	3000 CC, AJ V6 (AJ126)	0.2	USED WITHINS	
----------	-----------------------------------	------------------------------	-----	-----------------	--

REMOVAL

NOTE:

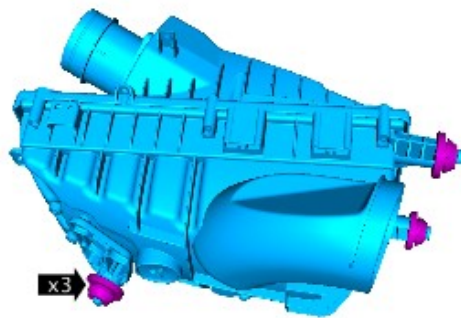
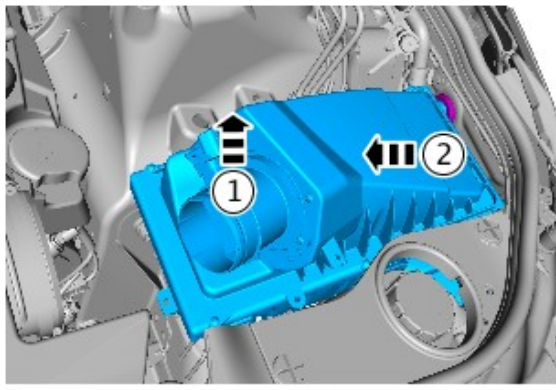
Removal steps in this procedure may contain installation details.

1.




Torque: 3.5 Nm

2.

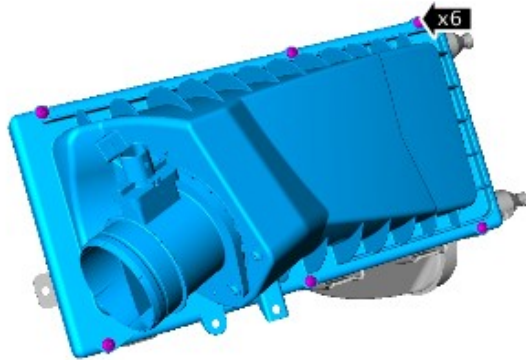


E190767

3.

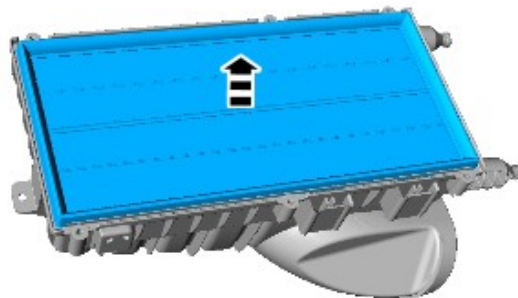
 NOTE:

Do not disassemble further if the component is removed for access only.



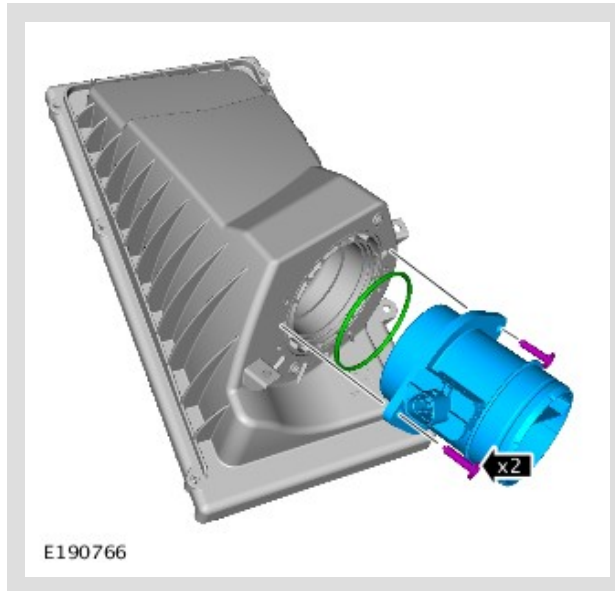
E190764

4.



E190765

5.



INSTALLATION

1. To install reverse the removal procedure.