

PUBLISHED: 07-SEP-2016
2017.0 DISCOVERY (LR), 412-01

CLIMATE CONTROL

POLLEN FILTER (G1509804)

REMOVAL AND INSTALLATION

80.15.42	FILTER - FRESH AIR INTAKE - RENEW	ALL DERIVATIVES	0.1	USED WITHINS	
----------	---	--------------------	-----	-----------------	--

REMOVAL

CAUTION:

During this procedure, the ignition must remain in ON, and the A/C system must be in manual mode.

NOTE:

Removal steps in this procedure may contain installation details.

1.



WARNING:

Make sure that the blower motor speed is in the minimum position.
Failure to follow this instruction may result in personal injury.



CAUTION:

It is necessary to set the air conditioning (A/C) system in recirculation mode to allow access to the pollen filter. Do not attempt to manually operate the recirculation door, as this will result to damage of the recirculation motor.



NOTE:

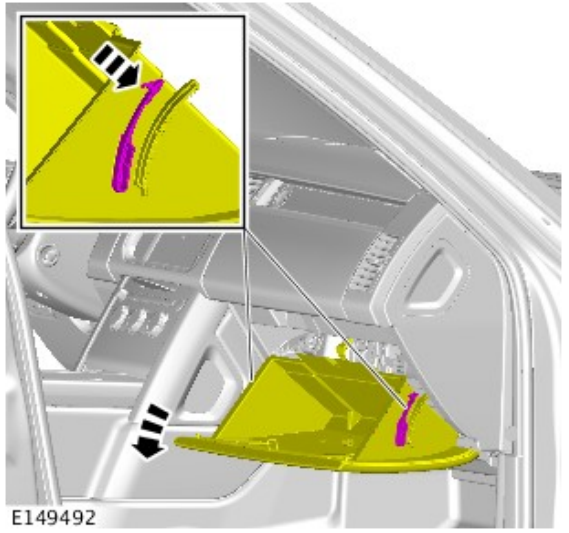
Press the recirculation button for three seconds to set the climate control system in to continuous recirculation mode.



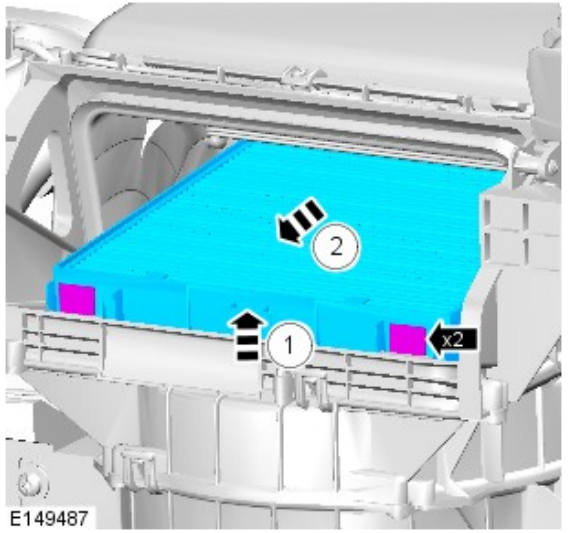
E156270

During this procedure, the ignition must remain in the ON position, and the A /C system must be in continuous recirculation mode with the fan speed set to minimum.

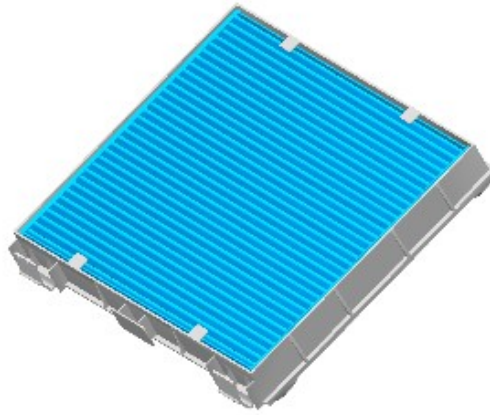
2.



3.



4.



E149772

INSTALLATION

1. To install, reverse the removal procedure.