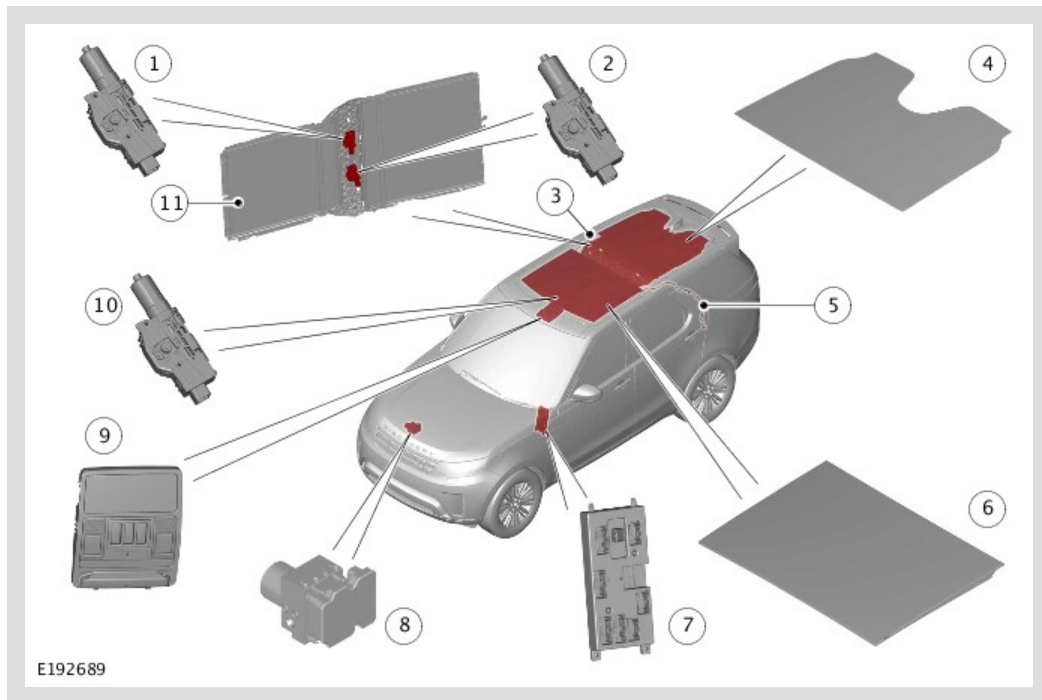


7	Front and rear roof blind switches - overhead console
8	Roof blind assembly

COMPONENT LOCATION - 2 OF 2 - VEHICLES WITH ROOF OPENING PANEL



ITEM	DESCRIPTION
1	Front roof blind motor
2	Rear roof blind motor
3	Roof opening panel drain hose - right
4	Rear glass roof panel
5	Roof opening panel drain hose - left
6	Roof opening panel
7	Body Control Module/Gateway Module (BCM/GWM) assembly
8	Anti-lock Brake System (ABS) control module
9	Front and rear roof blind switches and roof opening panel switch - overhead console
10	Roof opening panel motor
11	Roof blind assembly

OVERVIEW

There are two options of glass roof panel:

- The fixed system
- The opening system.

The fixed system contains the following:

- Front glass roof panel
- Rear glass roof panel
- Front and rear roof blind assembly
- Three electric operating motors, mechanisms and wiring harness.

The opening system contains the following:

- A roof opening panel
- Rear glass roof panel
- Front and rear roof blind assembly
- Two electric operating motors, mechanisms and wiring harness
- Two drain tubes.

The fixed system and the opening system use the same rear glass roof panel.

The fixed system contains two electric motors. One of the motors operates the front roof blind while the other motor operates the rear roof blind. The roof blind motors are located in the middle of roof blind frame, between the front roof blind and rear roof blind. Each roof blind motor is fixed to the frame with two bolts.

The opening system contains three electric motors. One of the motors operates the roof opening panel. The other two motors operate the front roof blind and the rear roof blind. The roof blind motors are located in the middle of roof blind frame, between the front roof blind and rear roof blind. The roof opening panel motor is located in the front center of the roof opening panel frame, above the front overhead console. Each motor is fixed to the frame with two bolts.

A drain tube is connected to each side of the roof opening panel frame and routed down the inside of the C pillar to the rear wheelarch.

The roof opening panel and roof blinds are controlled by switches in the front overhead console.

DESCRIPTION