

PUBLISHED: 21-NOV-2016
2017.0 DISCOVERY (LR), 308-07

TRANSFER CASE - [+] TWIN SPEED TRANSFER CASE

TRANSFER CASE DRAINING AND FILLING

(G1970980)

GENERAL PROCEDURES

41.20.04	TRANSFER GEARBOX DRAIN AND REFILL	TWIN SPEED TRANSFER CASE	0.3	USED WITHINS
----------	-----------------------------------	--------------------------	-----	--------------

GENERAL EQUIPMENT

EQUIPMENT NAME
Land Rover diagnostic equipment

PART(S)

STEP	PART NAME	QUANTITY
Filling Step 5	Transfer case drain plug washer	1

DRAINING

NOTE:

Some variation in the illustrations may occur, but the essential information is always correct.

1.



WARNING:

Do not work on or under a vehicle supported only by a jack. Always support the vehicle on safety stands.

Raise and support the vehicle.

2.

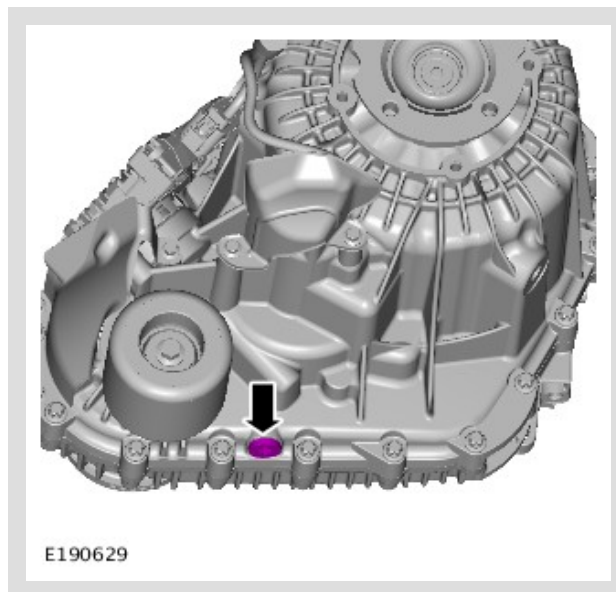
Position a container to collect the fluid.

3.



CAUTION:

Make sure that the area around the component is clean and free of foreign material.




Remove and discard the sealing washer.

4.

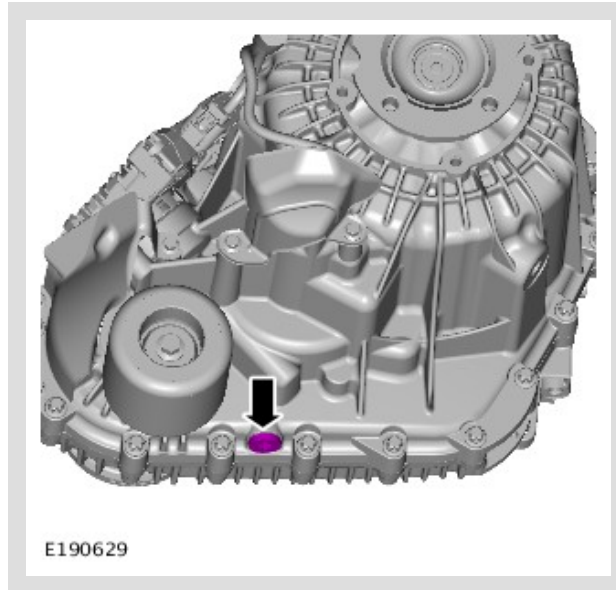
Allow the fluid to drain.

FILLING

1.

 NOTE:

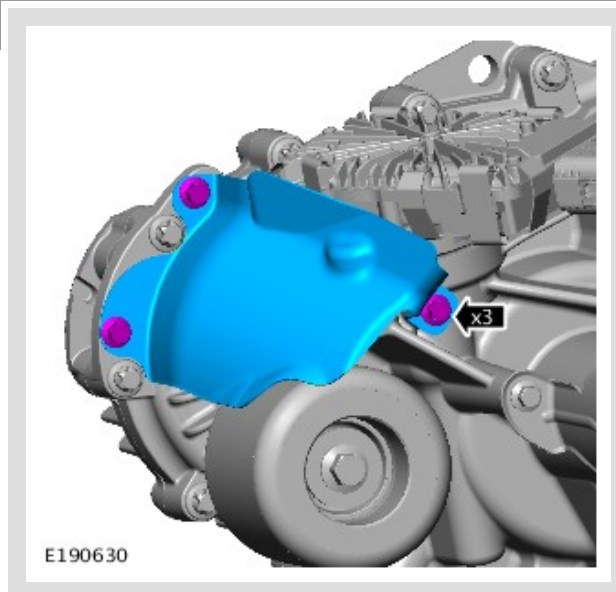
Make sure that all the component mating faces are clean.



Install a new sealing washer.

Torque: 28 Nm

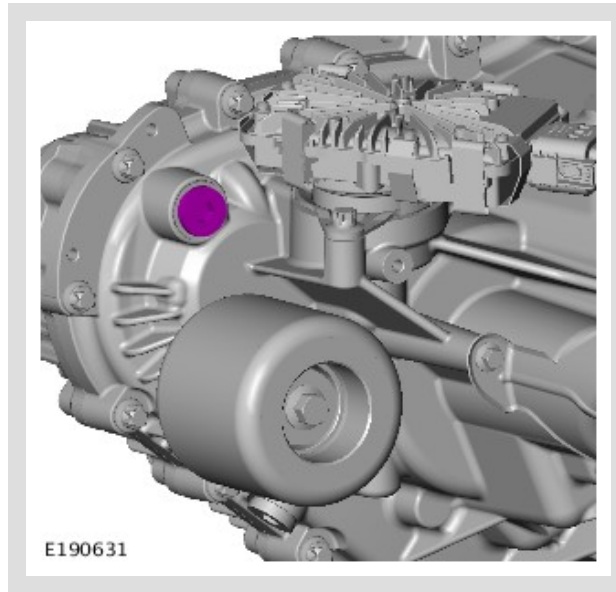
2.



3.

⚠ CAUTION:


Make sure that the area around the component is clean and free of foreign material.



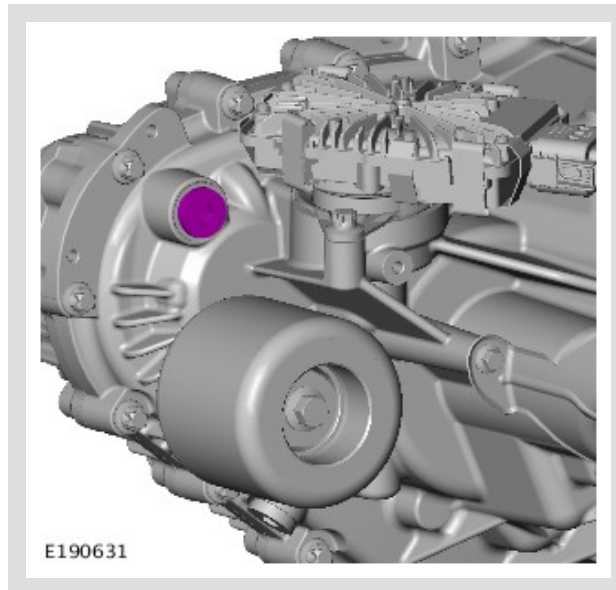
Remove and discard the sealing washer.

-
4. Refill transfer case with the recommended fluid, until the fluid is level with bottom of filler/level plug hole.
Refer to: Specifications (308-07C, Specifications).
-

5.

 NOTE:

Make sure that all the component mating faces are clean.

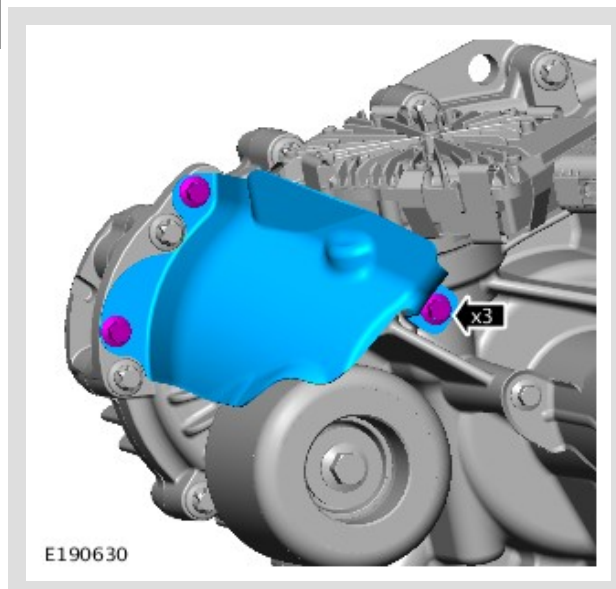


Install a new sealing washer.

Renew Part: [Transfer case drain plug washer](#) Quantity: 1 .

Torque: 28 Nm

6.



Torque: 8 Nm

7.

Using the diagnostic tool, re-calibrate the transfer case.

General Equipment: [Land Rover diagnostic equipment](#)

