

ROOF OPTIONS


# ROOF RAILS (G2011166)

REMOVAL AND INSTALLATION

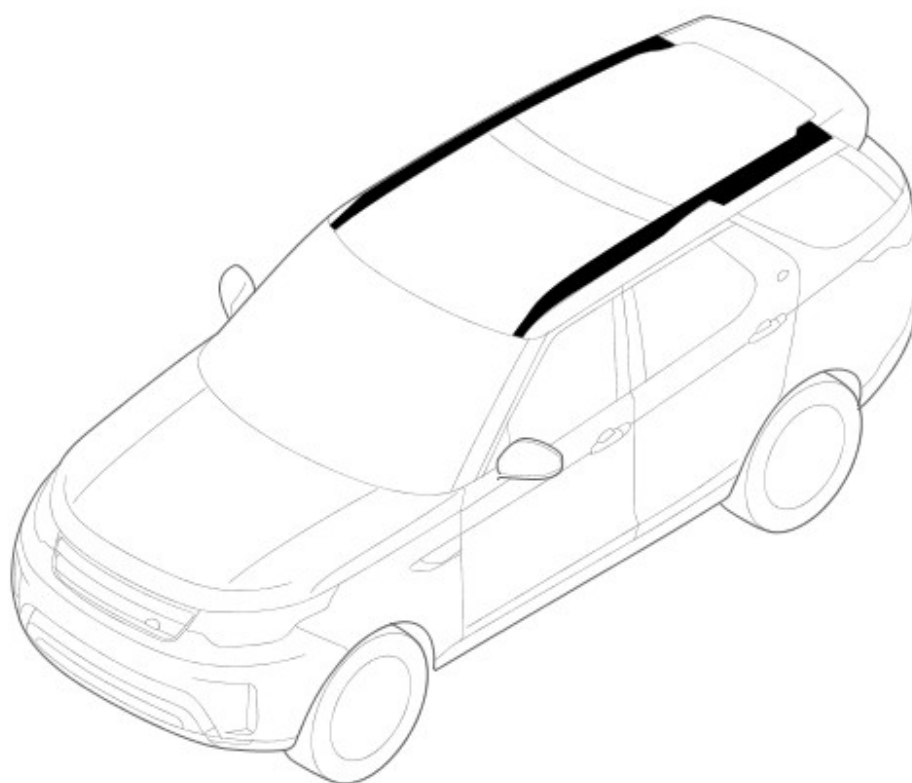
VPLRR0156 / VPLRR0155 / VPLRR0158 / VPLRR0157

 **WARNING:**

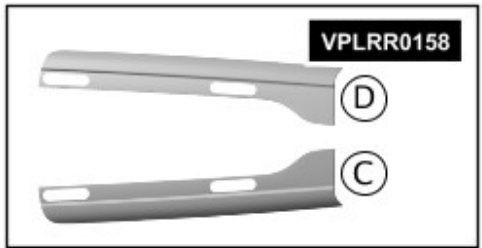
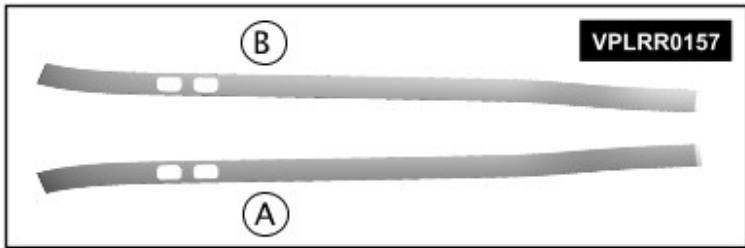
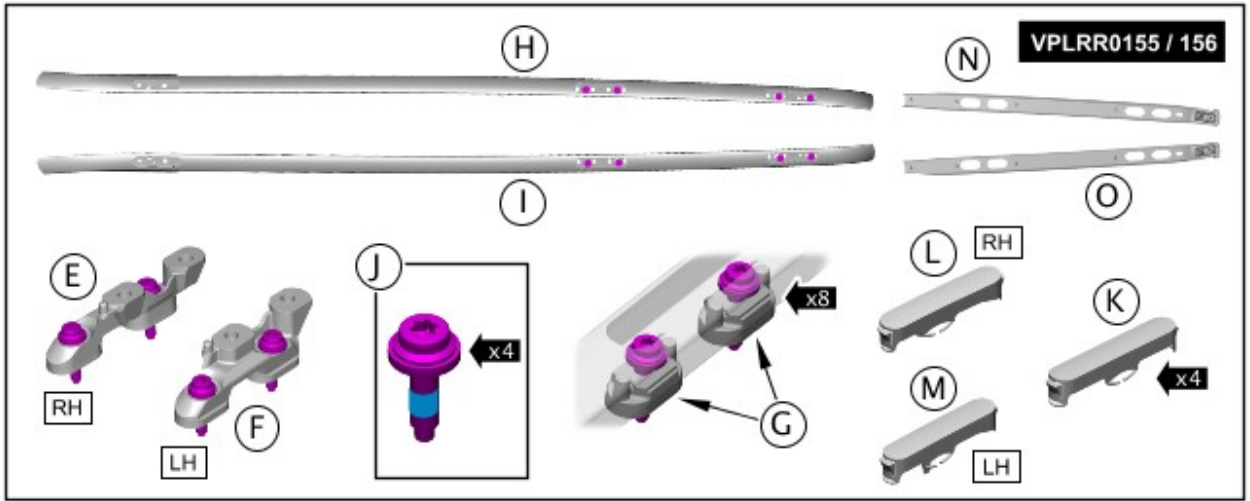
Accessories which are not properly fitted can be dangerous. Read the instructions carefully prior to fitting.  
Whilst fitting, comply with instructions at all times. If in doubt, contact your nearest approved retailer.

 **NOTE:**

Left side shown. Right side similar.



E191054



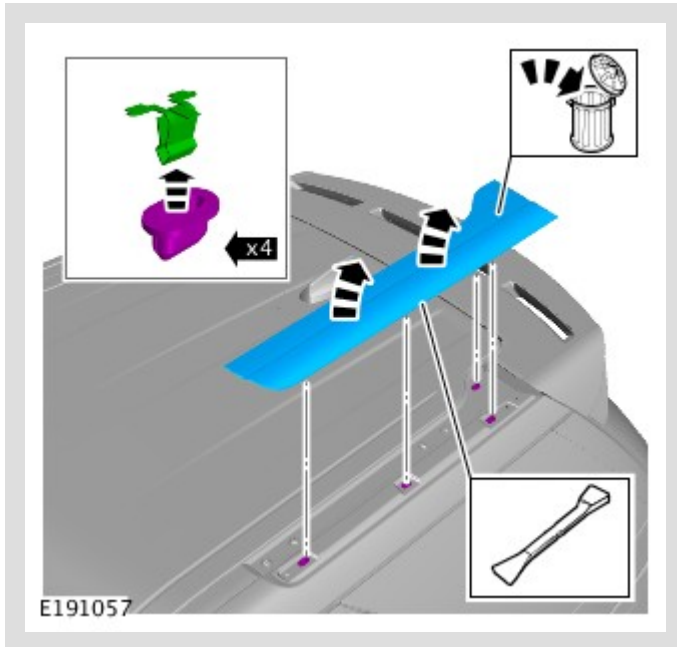
E191055

## INSTALLATION

1.

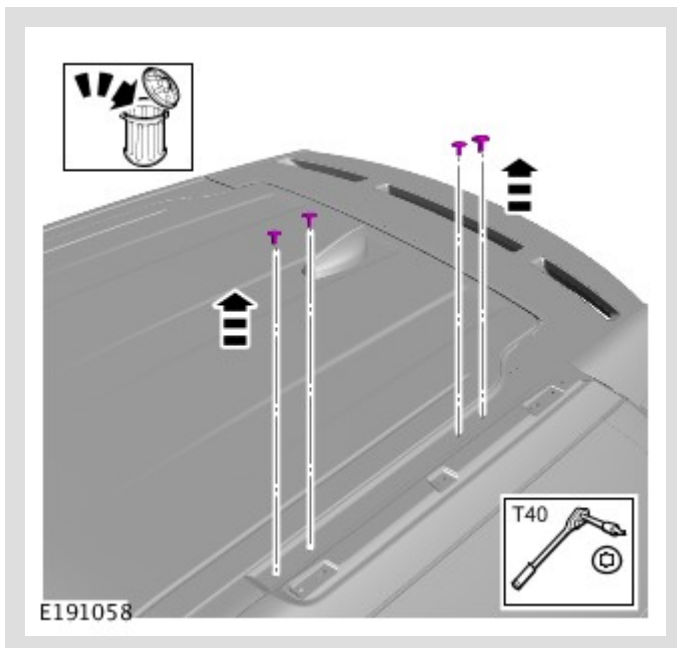
### ⚠ CAUTION:

Take care to not damage body paint.



Using a suitable, plastic trim tool, remove trim finisher.

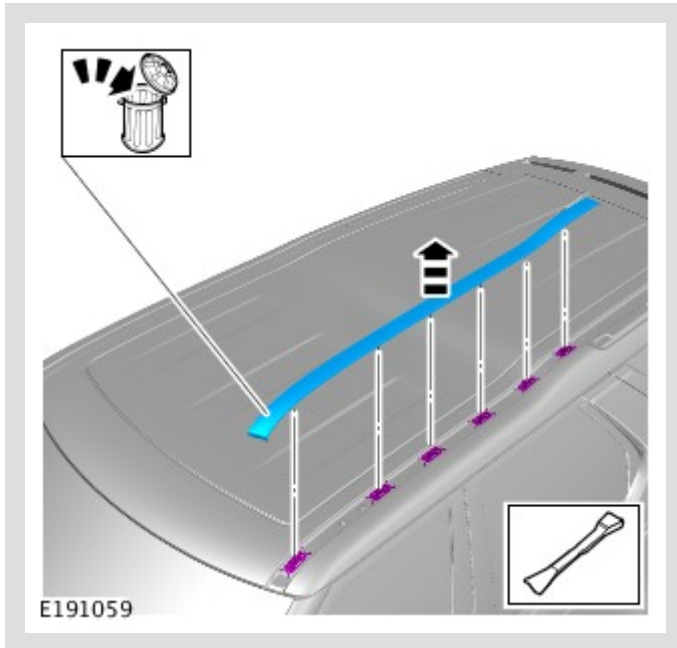
2.



3.

**⚠ CAUTION:**

Take care to not damage body paint.

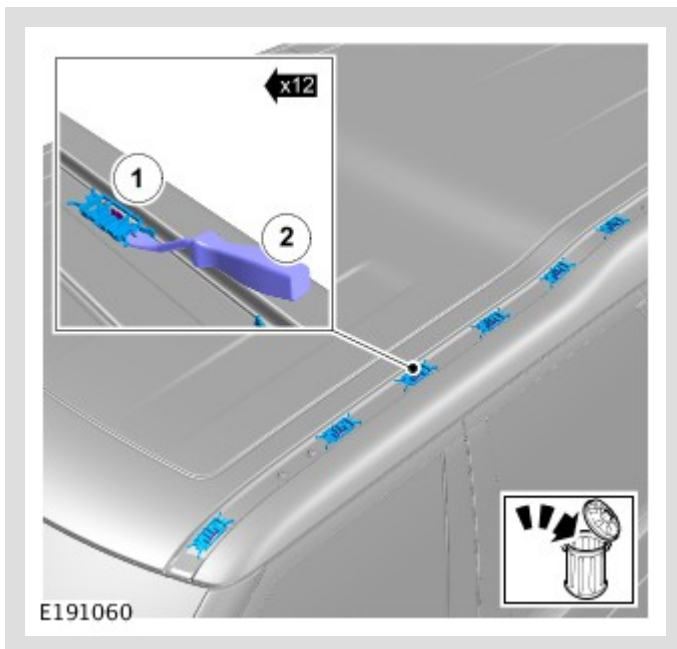


Using a suitable, plastic trim tool, remove Ditch Finisher.

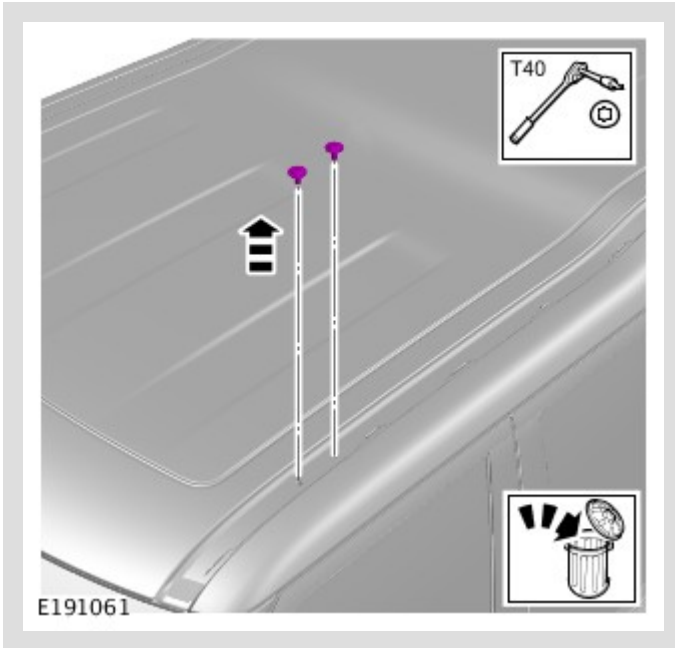
4.

**⚠ CAUTION:**

Take care to not damage body paint.



5.



6.

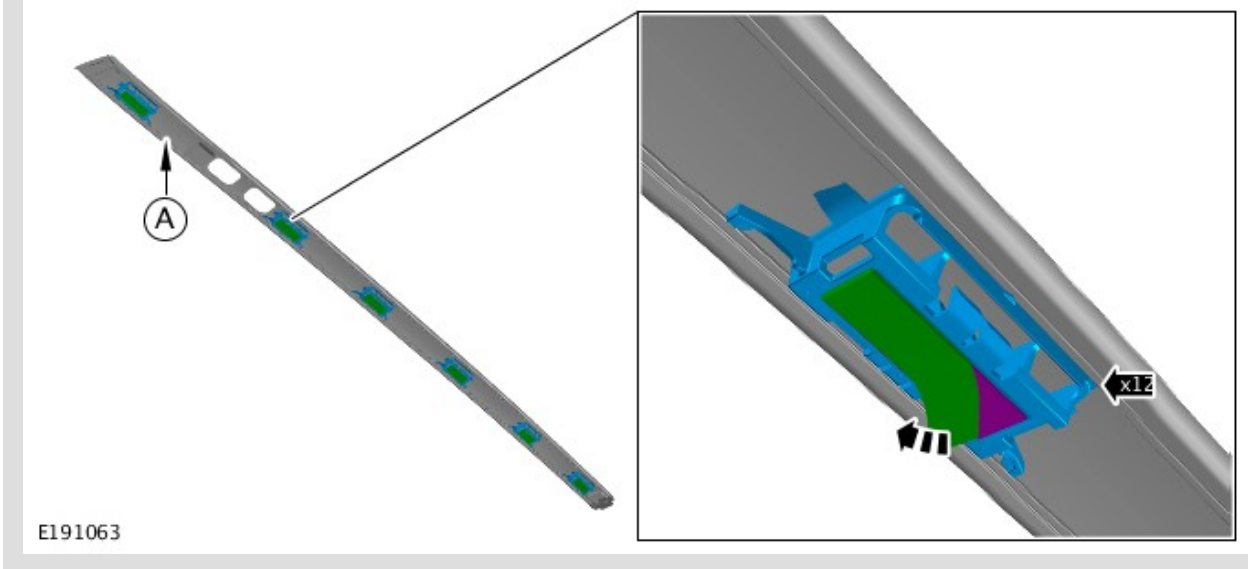
**⚠ CAUTION:**

Make sure no contamination is present before moving to the next installation step.



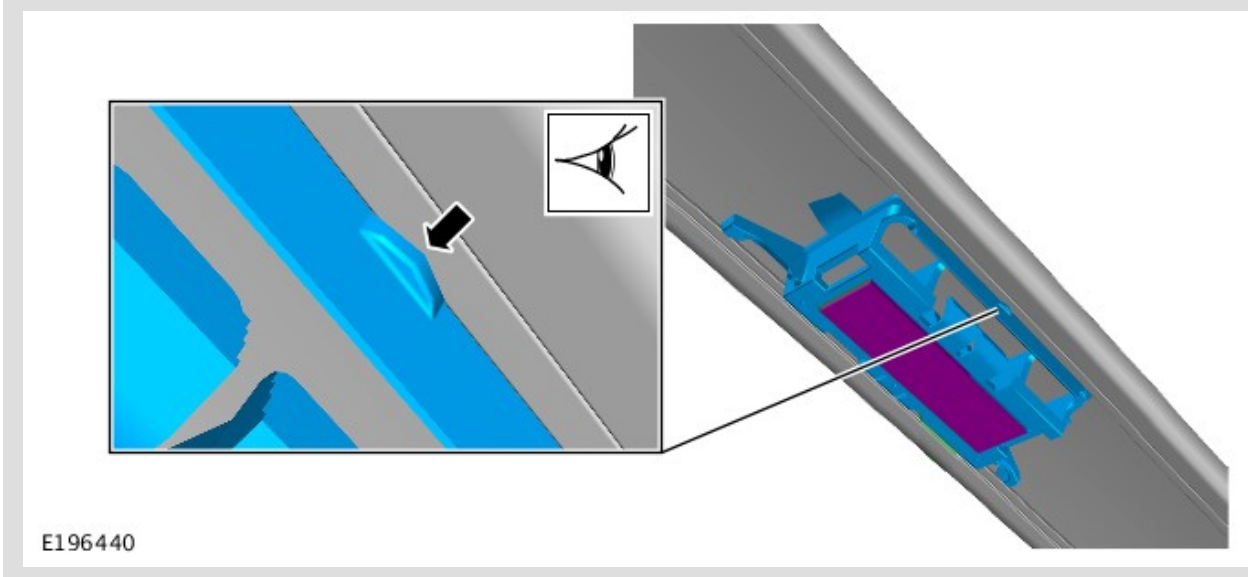
Remove all foam and adhesive tape residue before cleaning the highlighted surface with the provided wipes.

7.



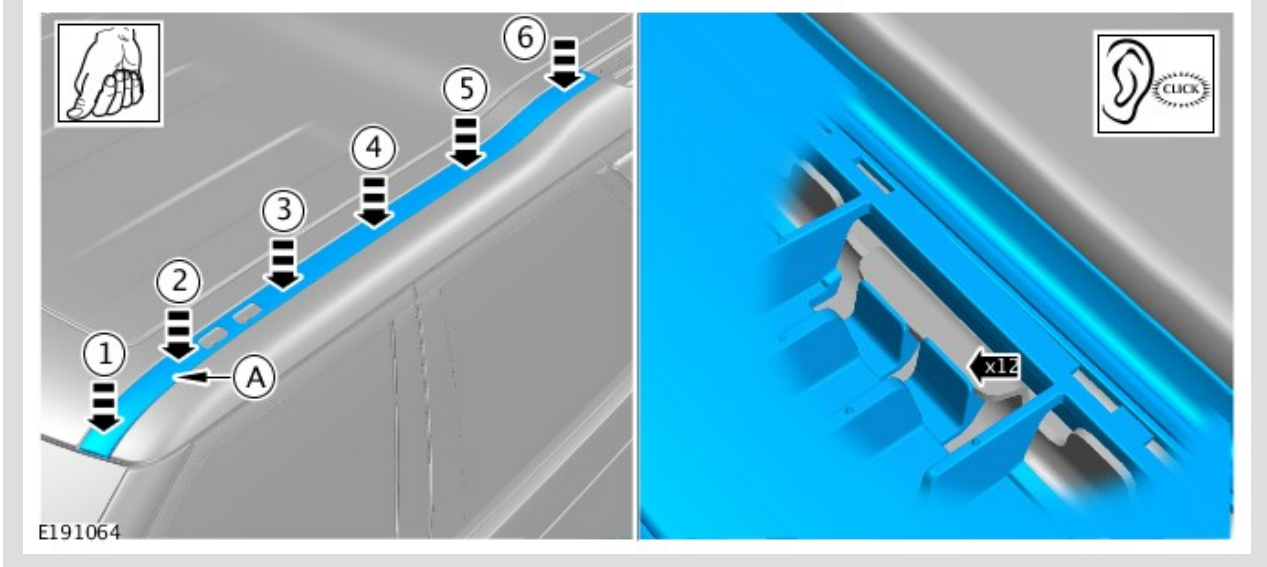
Remove adhesive backing

8.



Observe locating tabs prior to fitting.

9.

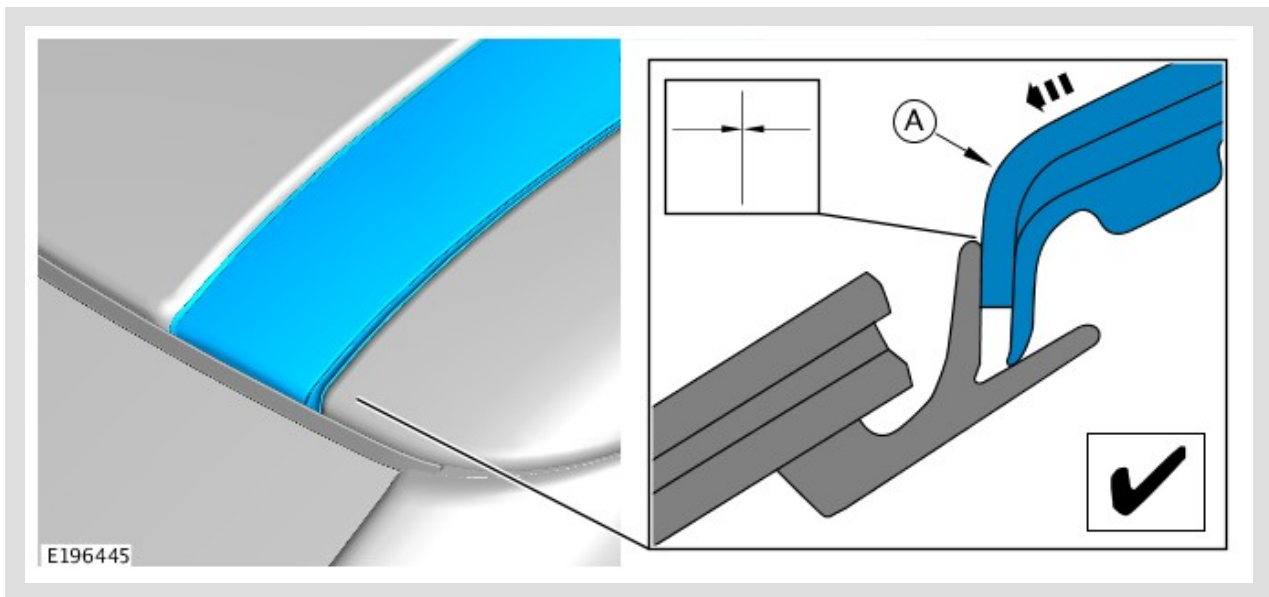


Fit Ditch Finisher making sure locating tabs align with recess in body.

10.

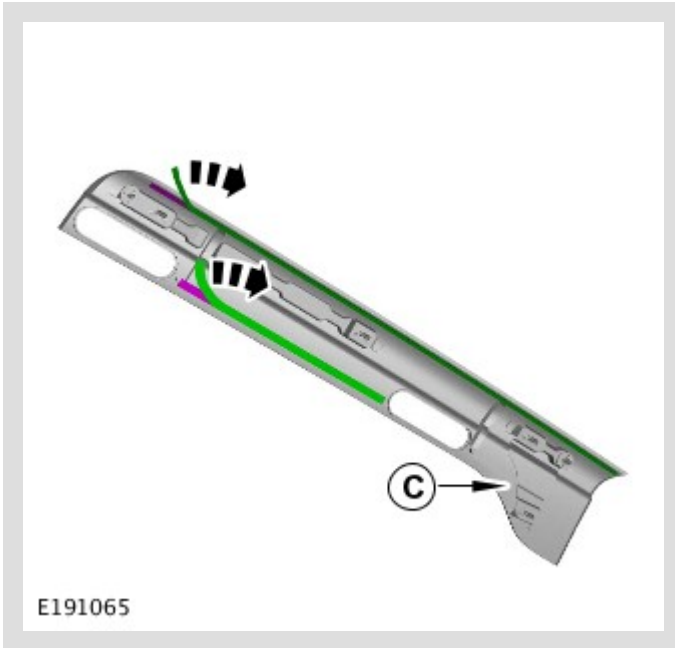
**⚠ CAUTION:**

Make sure the Ditch finisher is positioned forward against to the upper windscreen seal.

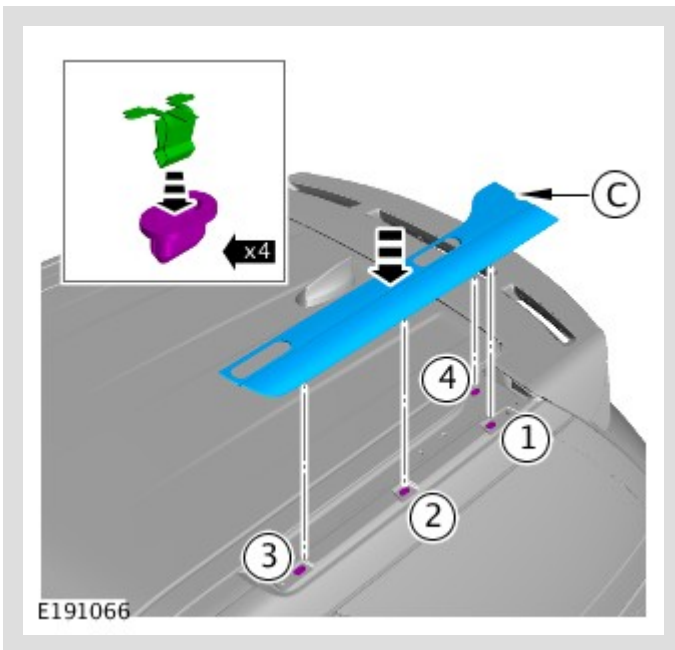




11.




12.

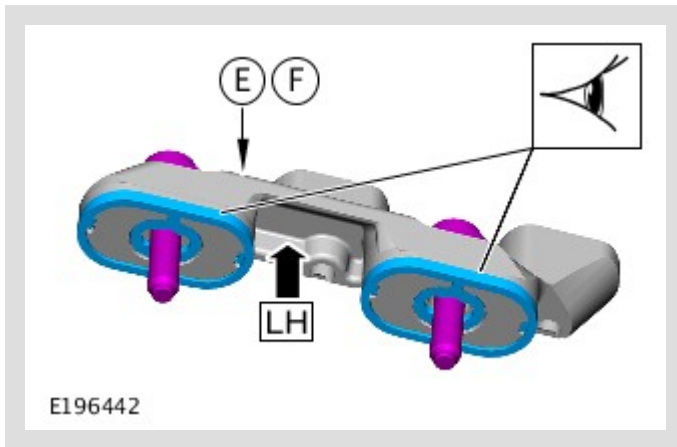


Fit trim finisher in clip order shown.


13.

 **NOTES:**

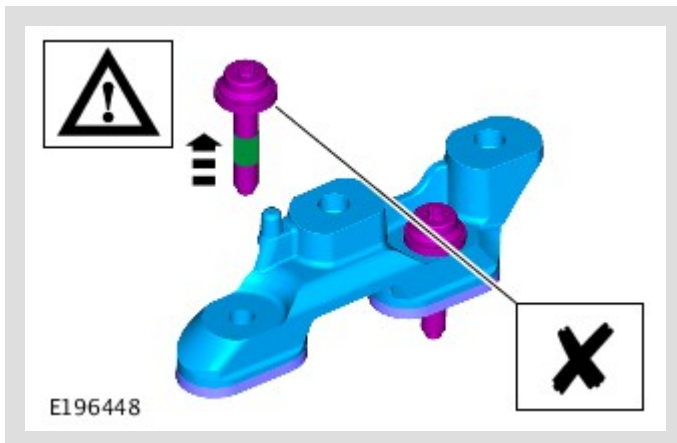
- Observe left or right bracket markers.
- Check plastic seal is in position shown.



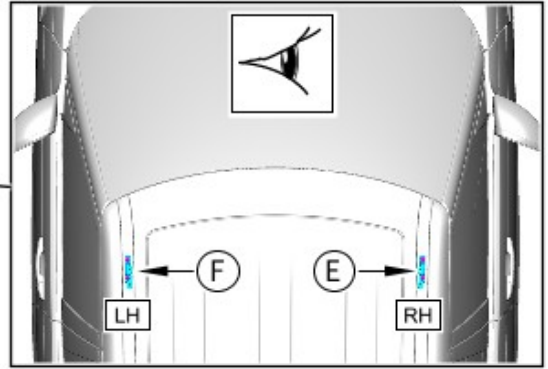
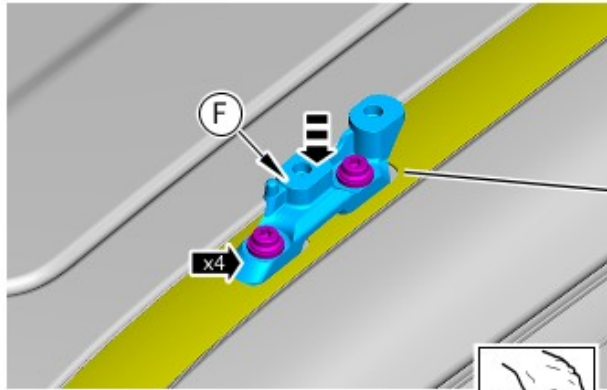
14.

 **CAUTION:**

Do not remove capsulated bolts.

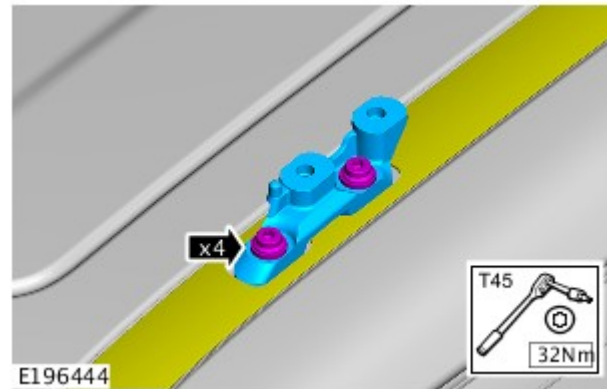


15.



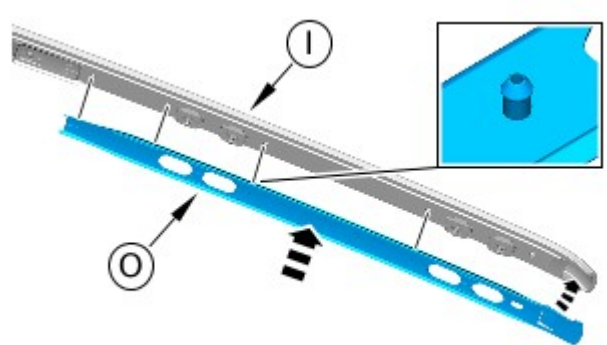
E191067

16.



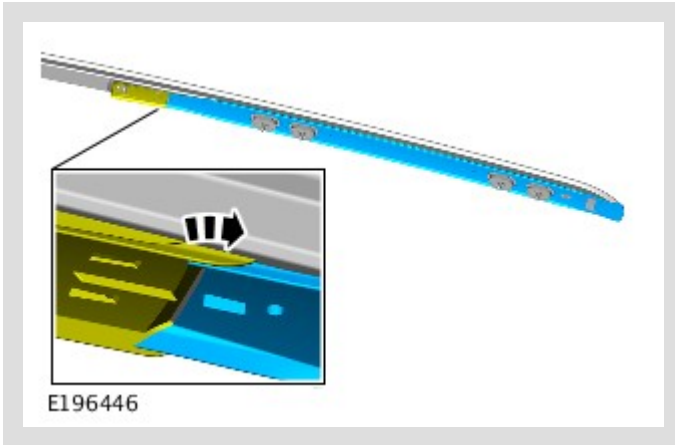
E196444

17.



E196447

18.

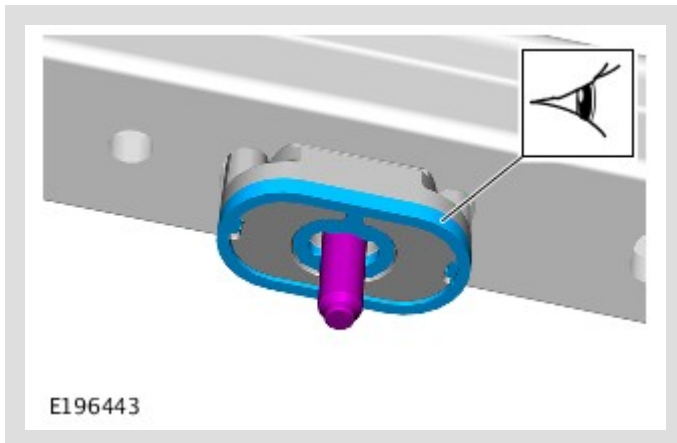


Make sure the tabs of the small highlighted seal are positioned outside of the seal 'O' tabs.

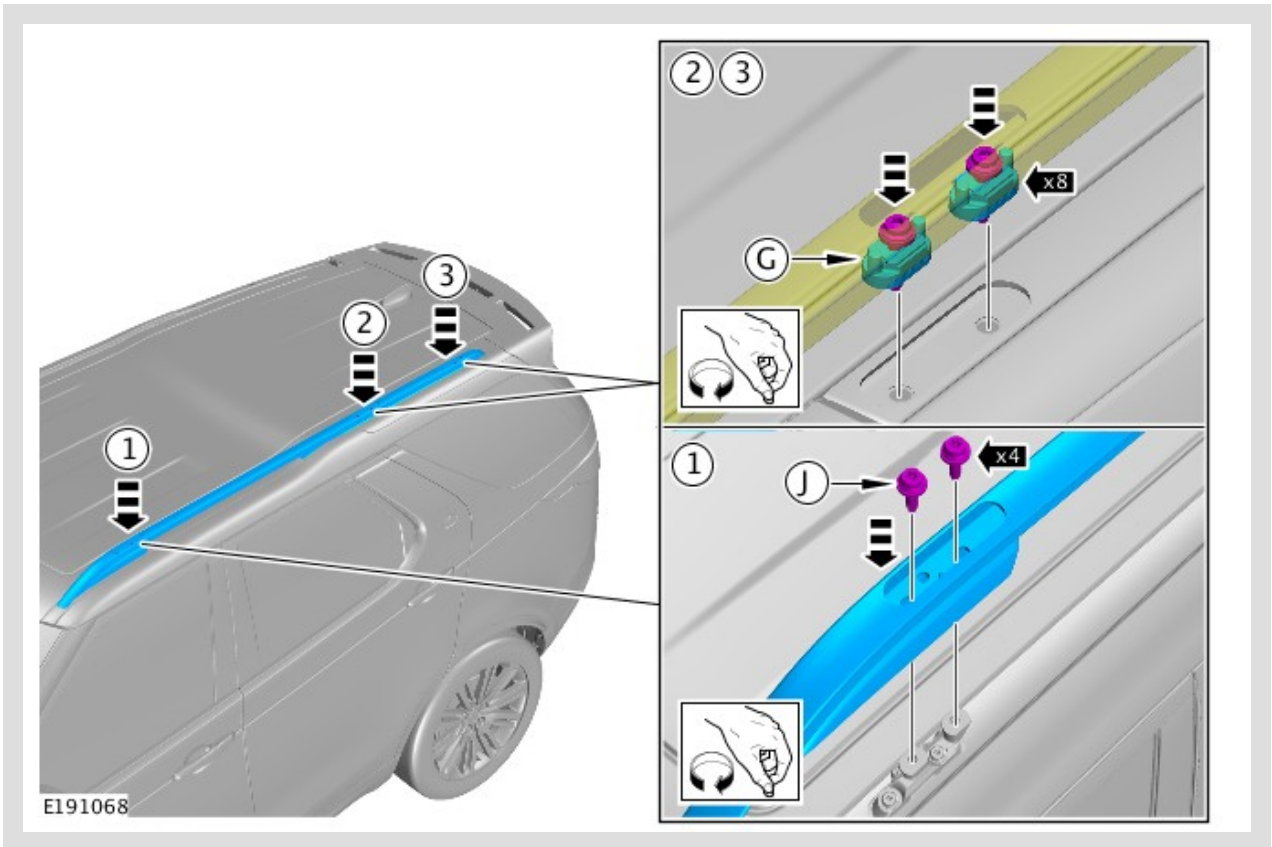
19.

 **NOTE:**

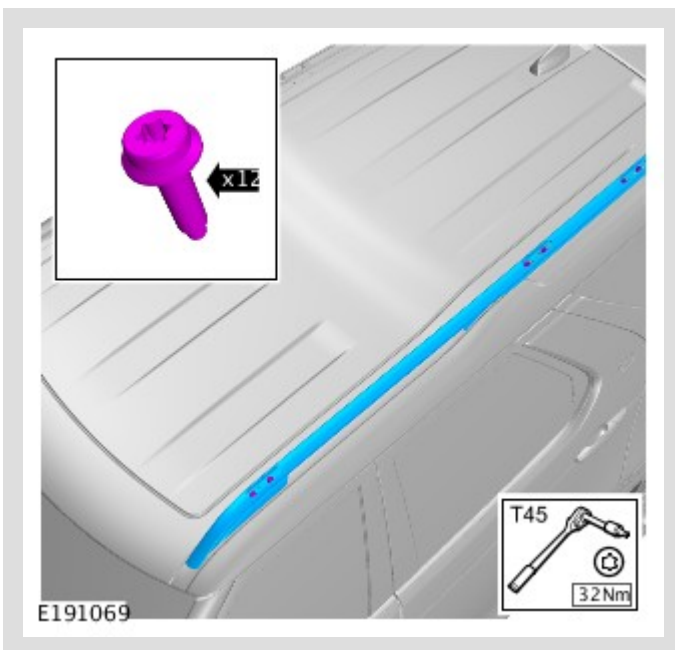
Check plastic seals are in position shown.



20.



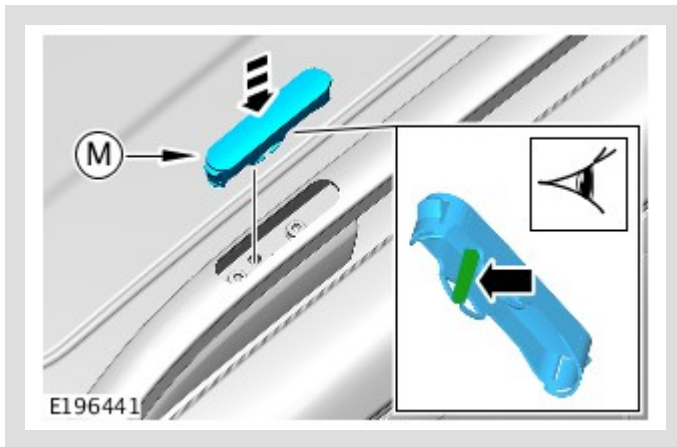
21.



22.

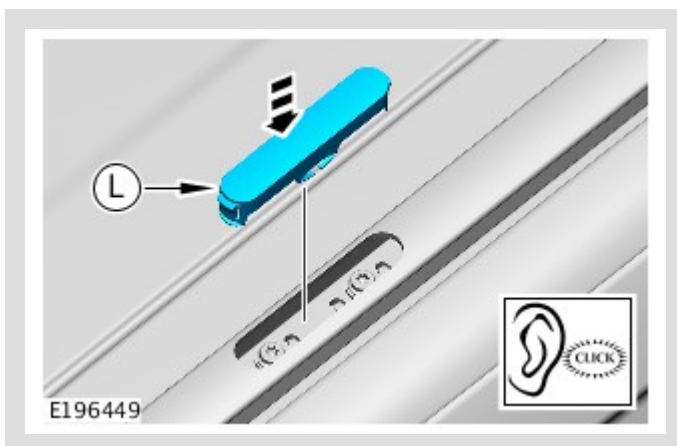
 NOTES:

- Make sure the locating pin is aligned to rail hole.
- Make sure front left and right caps are inserted on correct side of vehicle.



Install front rail caps.

23.



Install rear rail caps.

24.



25.

