

PUBLISHED: 23-JUN-2017  
2017.0 DISCOVERY (LR), 501-05

## INTERIOR TRIM AND ORNAMENTATION

# LEFT LOADSPACE TRIM PANEL (G1976370)

### REMOVAL AND INSTALLATION

---

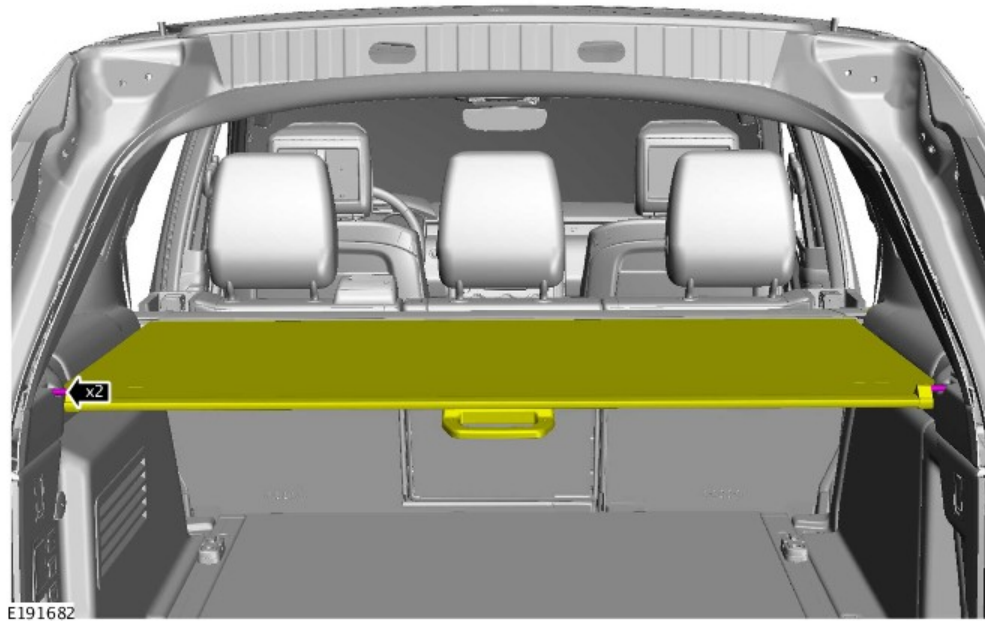
### REMOVAL

#### NOTE:

This procedure contains some variation in the illustrations depending on the vehicle specification, but the essential information is always correct.

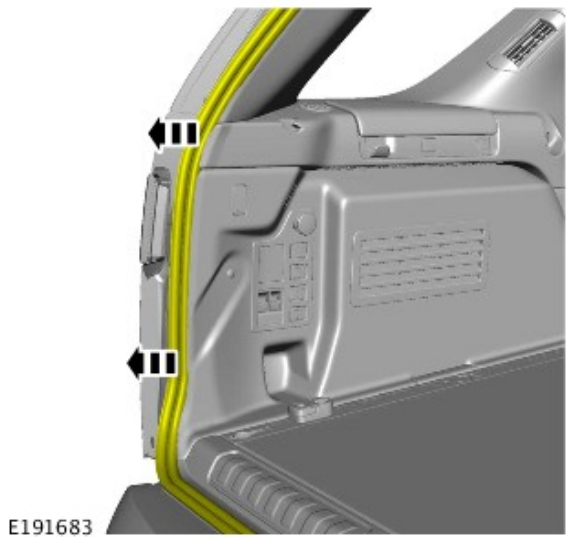
1. Disconnect the battery ground cable.  
Refer to: Specifications (414-00 Battery and Charging System - General Information, Specifications).
-

2.



Retract the parcel shelf.

3.

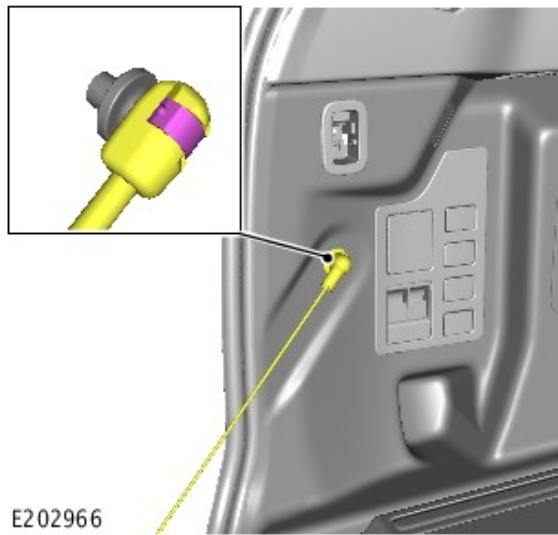


4.

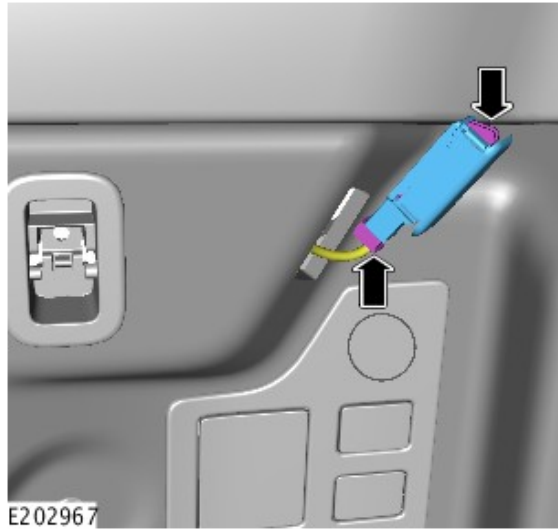


*Torque: 6 Nm*

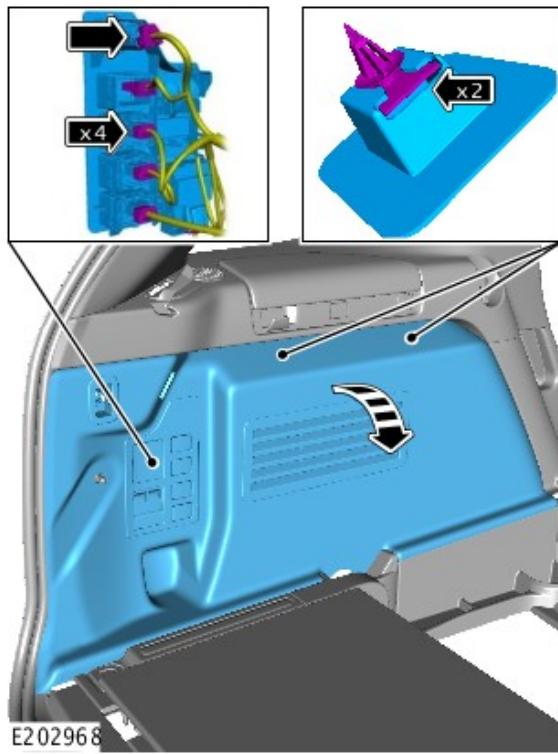
5.



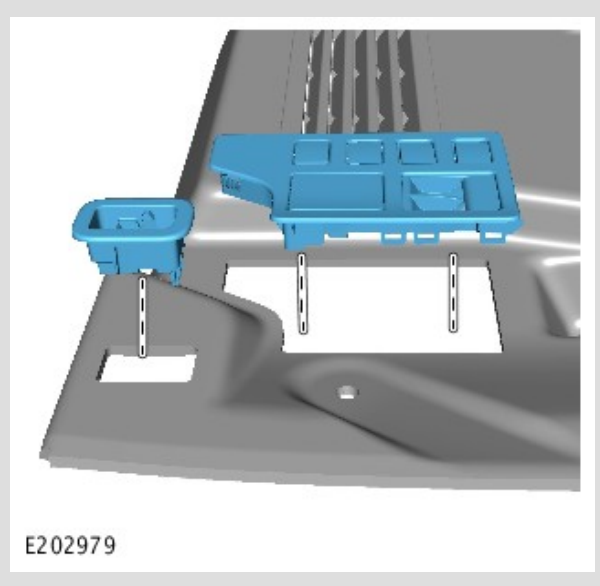
6.



7.



8.



## INSTALLATION

1. To install, reverse the removal procedure.