

PUBLISHED: 21-NOV-2016  
2017.0 DISCOVERY (LR), 501-19

## BUMPERS

# REAR BUMPER (G1972118)

### REMOVAL AND INSTALLATION

### REMOVAL

#### NOTE:

- Removal steps in this procedure may contain installation details.
- Some variation in the illustrations may occur, but the essential information is always correct.

1.

#### WARNING:

Make sure to support the vehicle with axle stands.

Raise and support the vehicle.

2.


#### NOTE:

The procedure must be carried out on both sides.

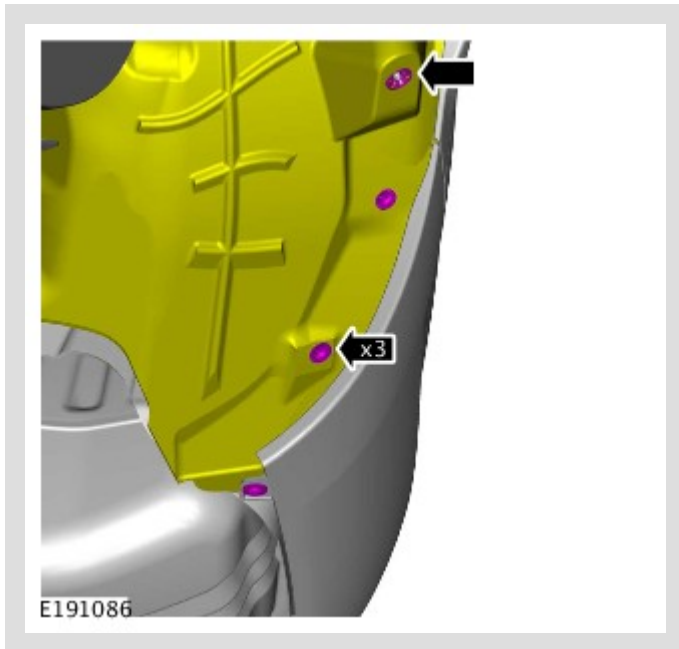
Remove the rear wheels.

Refer to: Wheel and Tire - TDV6 3.0L Diesel /V6 S/C 3.0L Petrol /INGENIUM I4 2.0L Diesel (204-04, Removal and Installation).

3.

 NOTE:


The step must be carried out on both sides.



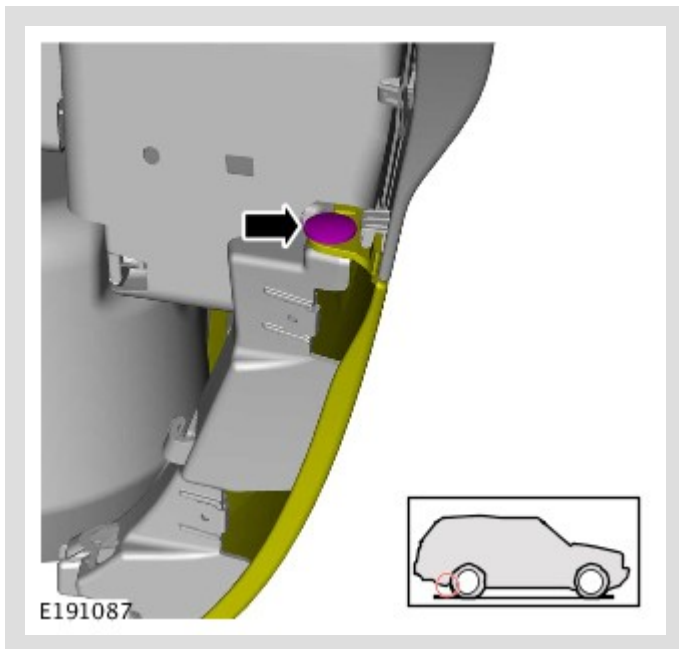
Release the rear section of the wheel arch liner.

---

4.

 NOTE:


The step must be carried out on both sides.



Remove the clip.

---

5.

 NOTE:

The step must be carried out on both sides.



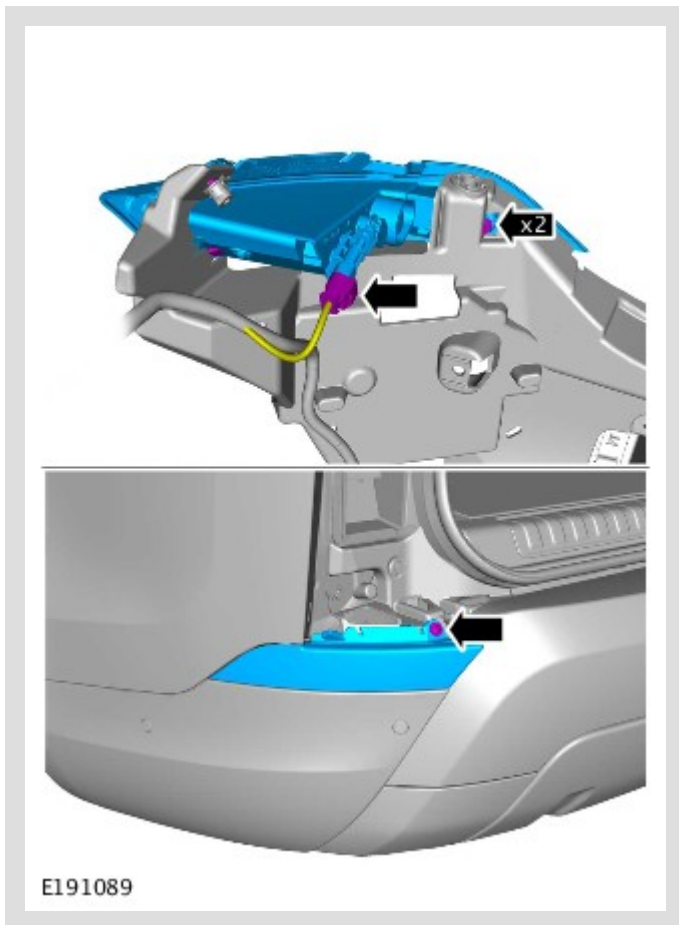
Remove the quarter panel finisher.

---

6.

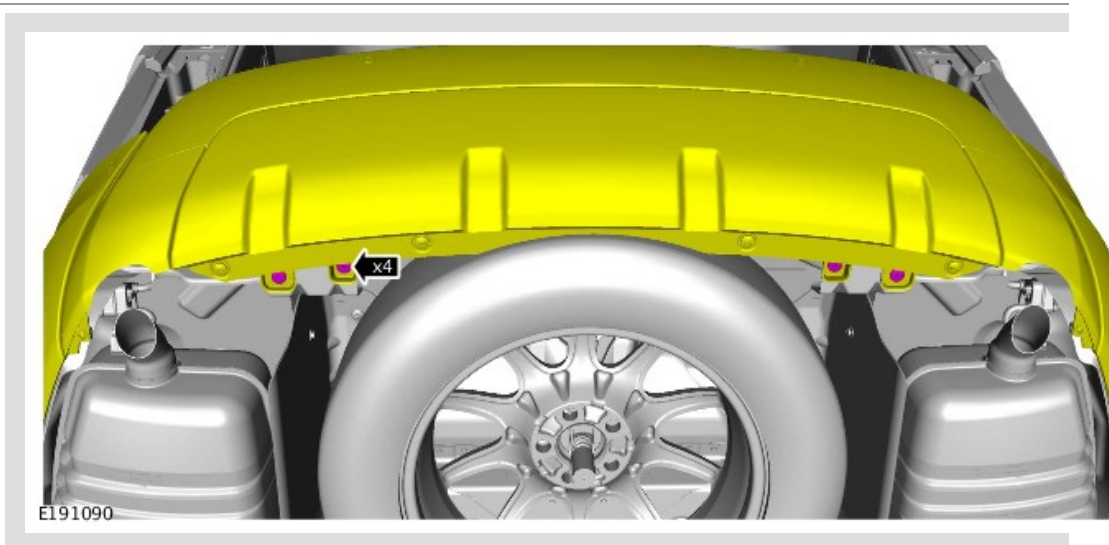
NOTE:

The step must be carried out on both sides.




Remove the additional fog lamp.

7.

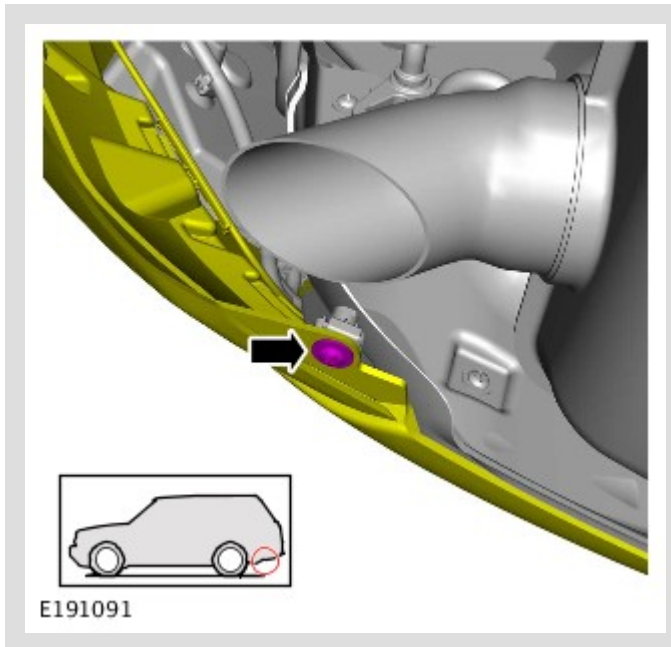


Remove the rear bumper lower fixings.

8.

 NOTE:

The step must be carried out on both sides.



Remove the rear bumper outer fixings.

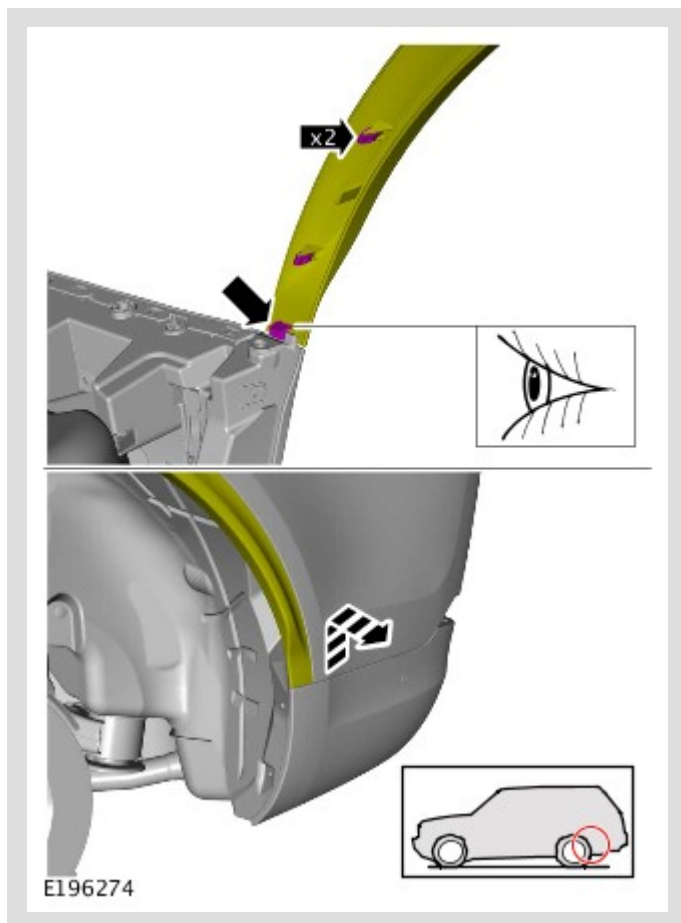
---

**⚠ CAUTION:**

Take extra care not to damage the component.

**△ NOTE:**

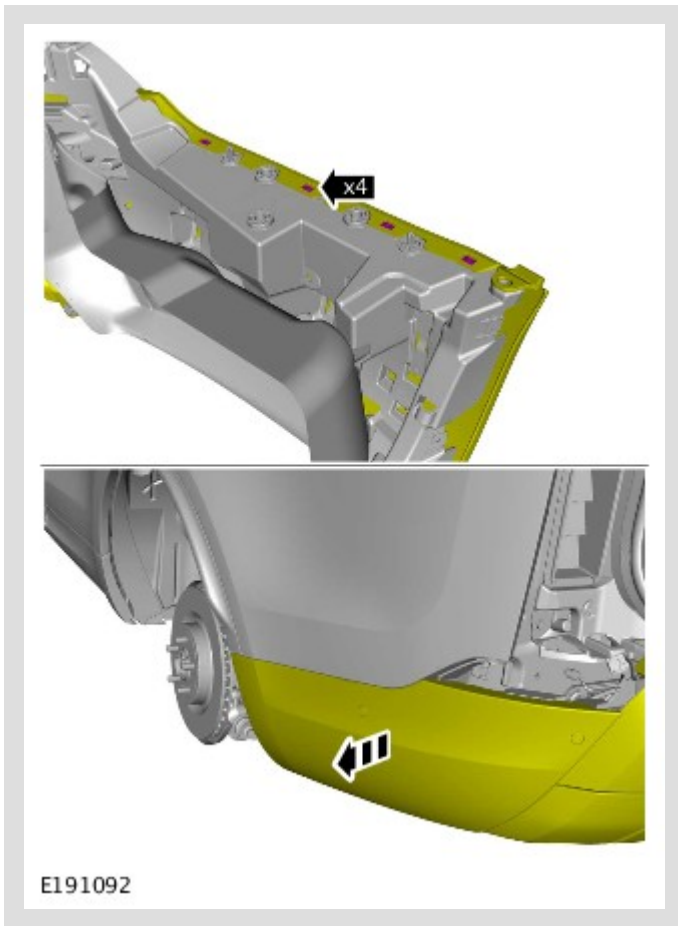
The step must be carried out on both sides.



Position the rear wheel arch liner cladding to one side.

---

10.

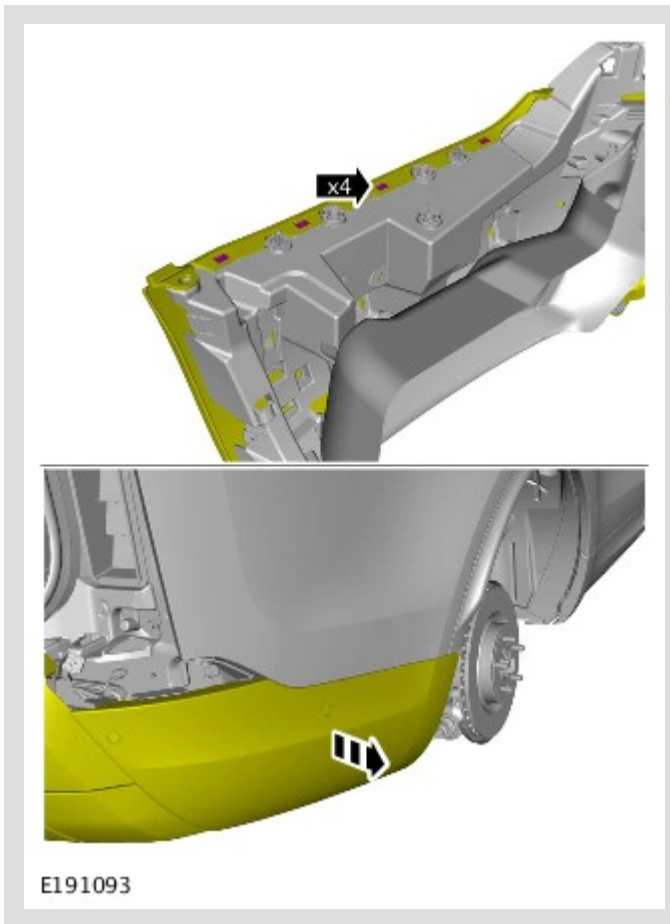


Position the rear bumper to one side.

---

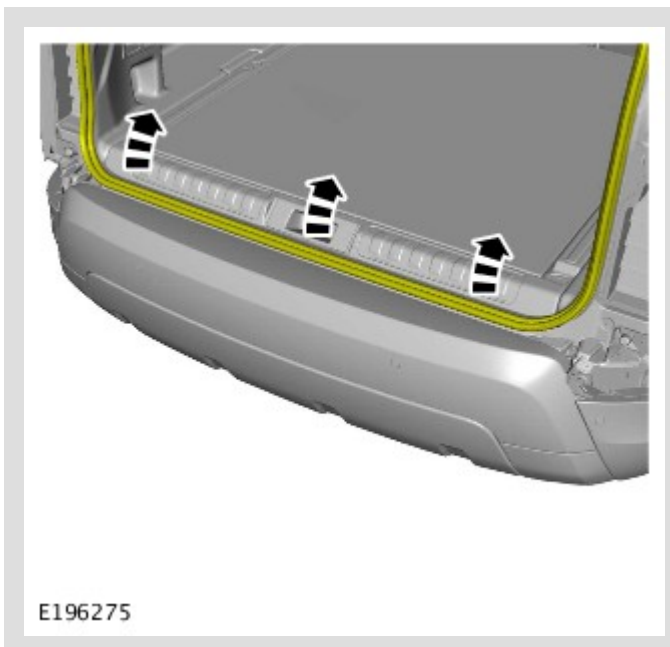


11.



Position the rear bumper to one side.

12.



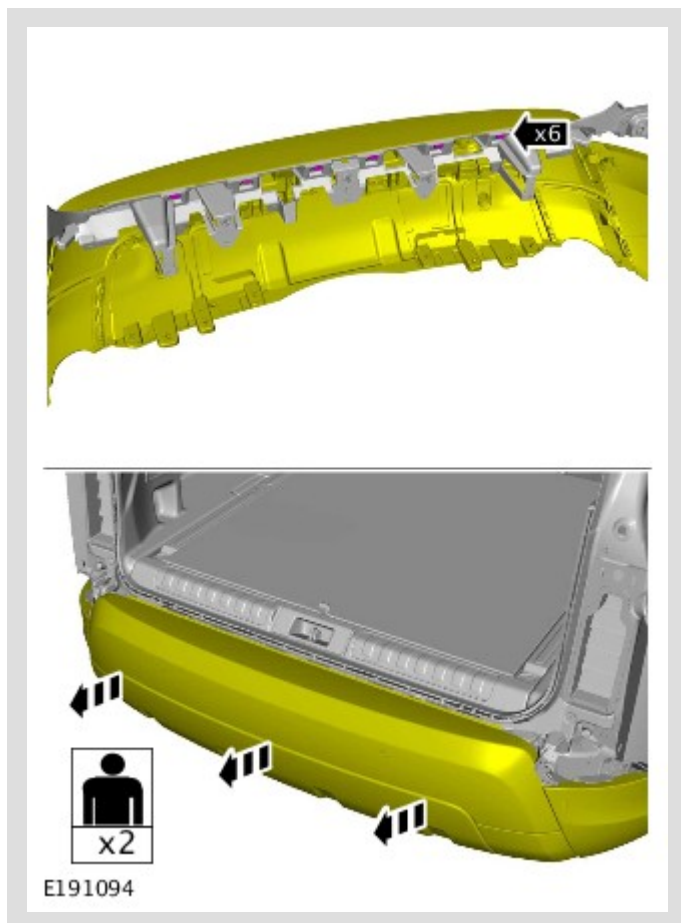
Release the tailgate aperture seal.

**!** CAUTION:

Take extra care not to damage the wiring harness clips.

**△** NOTE:

Do not remove the component at this stage.

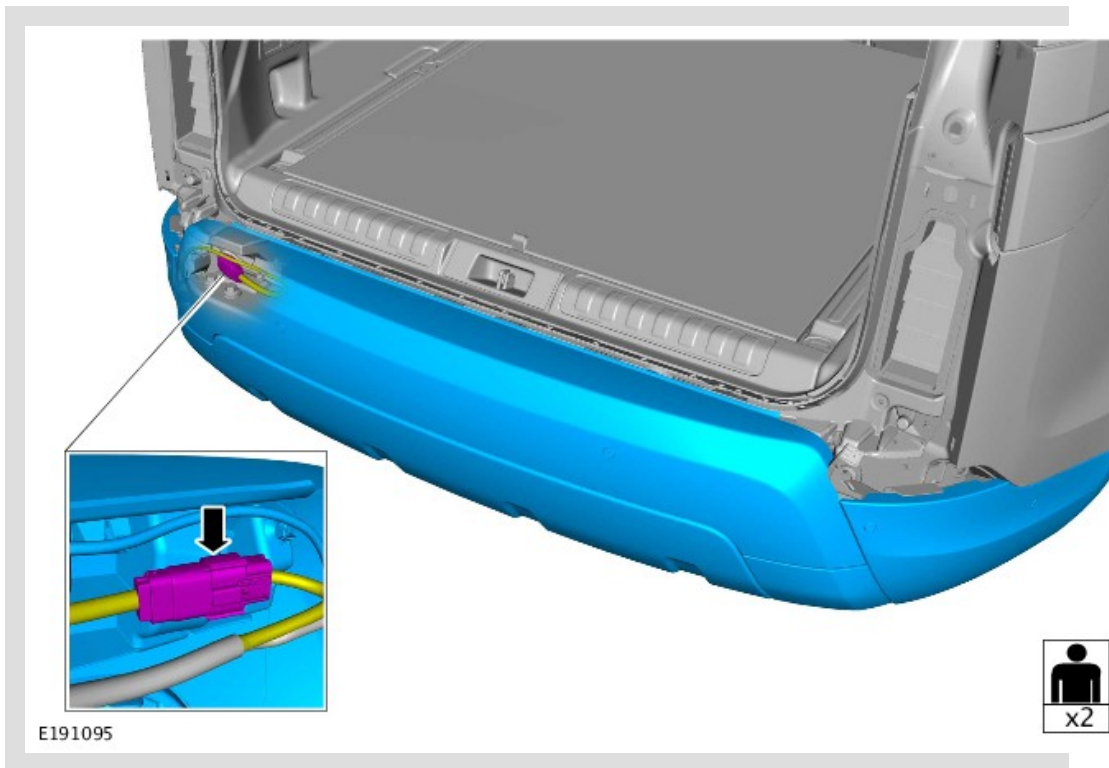


Position the rear bumper to one side.


---

**⚠ CAUTION:**

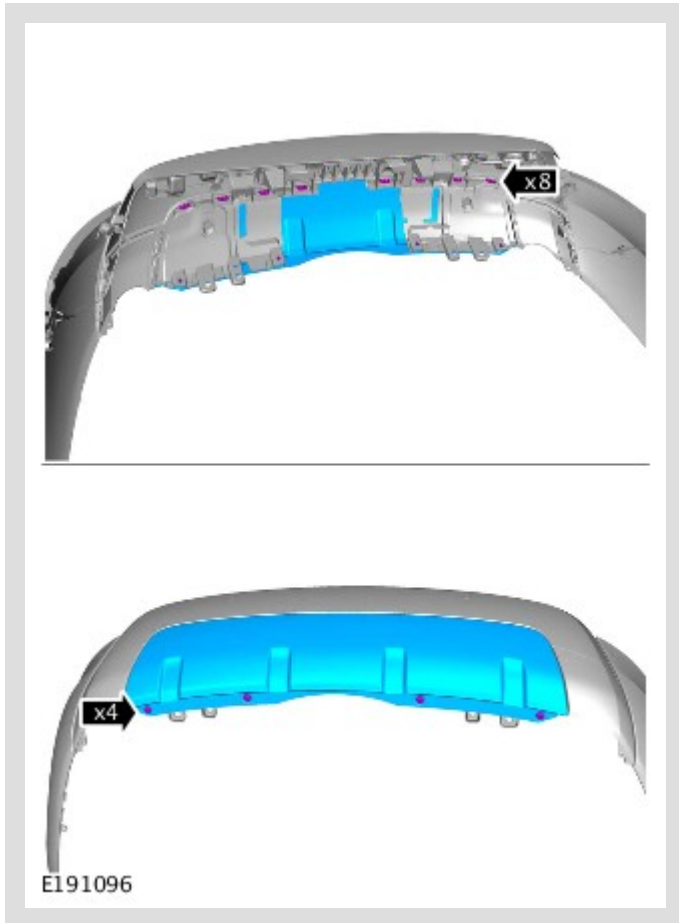
Take extra care not to damage the wiring harness clips.



With assistance, remove the rear bumper.

 NOTE:

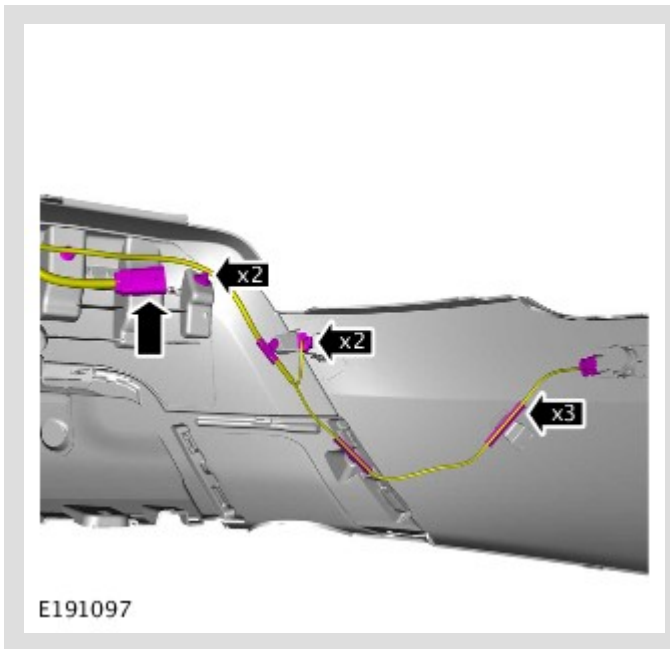
Do not disassemble further if the component is removed for access only.



Remove the rear bumper towing eye cover.

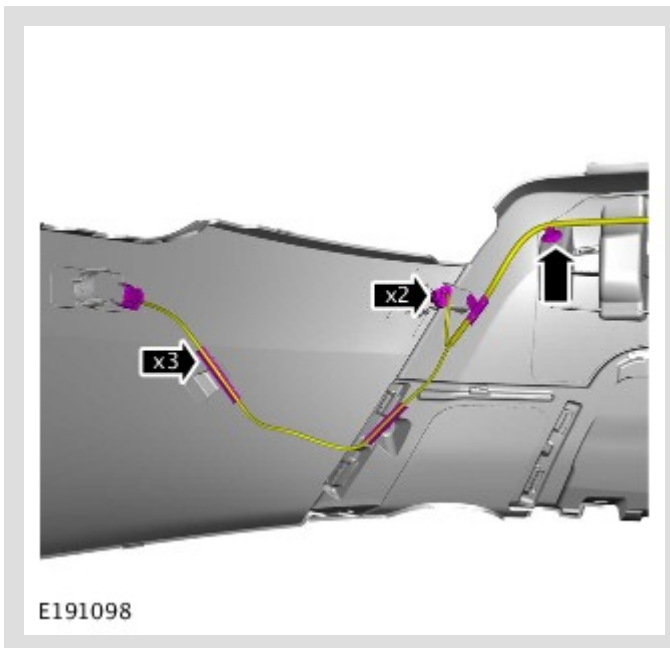
---

16.



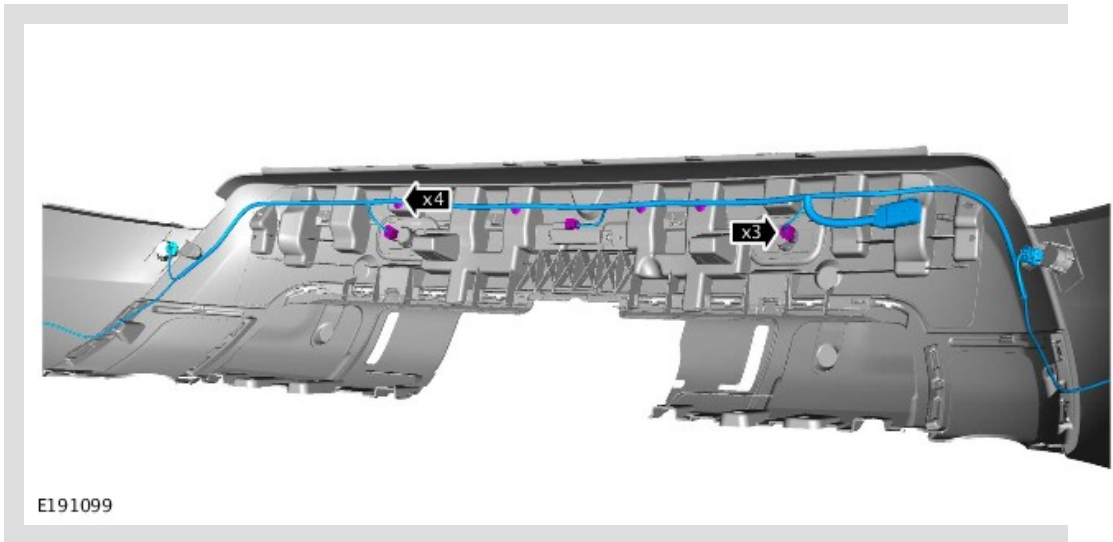
Disconnect the electrical connectors.

17.



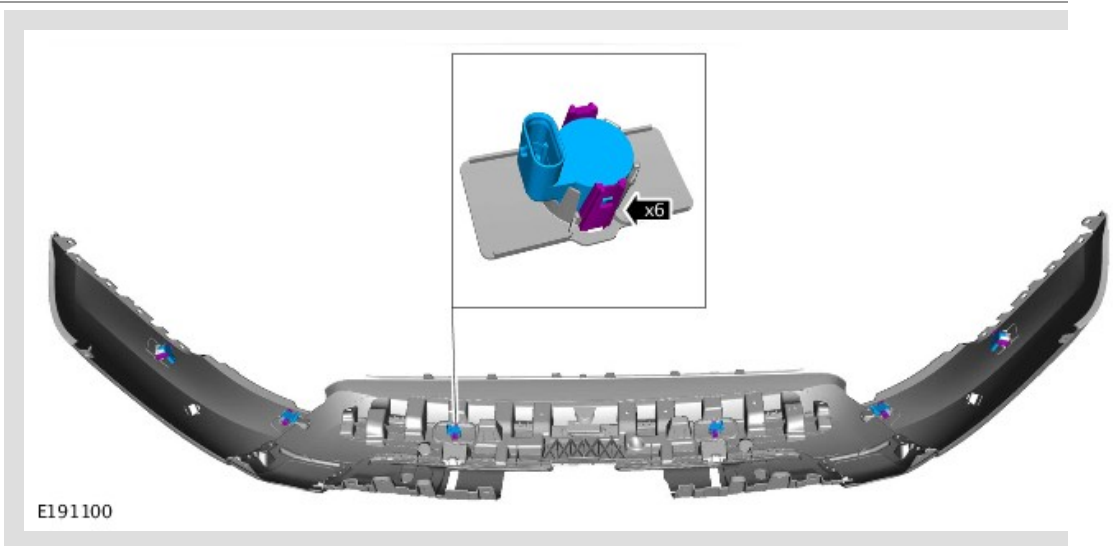
Disconnect the electrical connectors.

18.



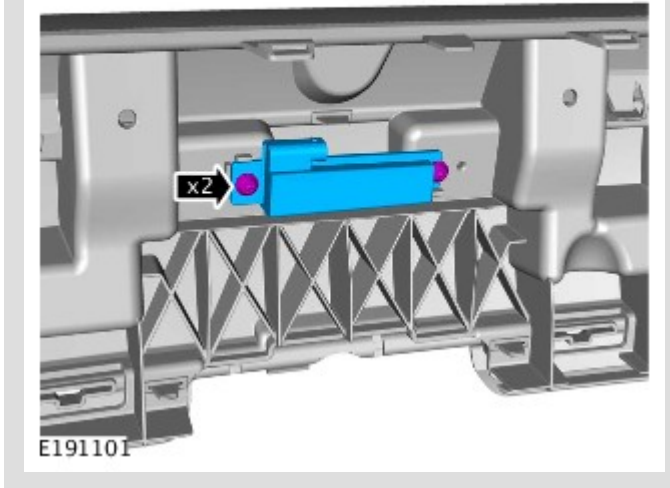
Remove the bumper harness.

19.



Remove the rear parking aid sensors.

20.



Remove the antenna.

## INSTALLATION

1. To install, reverse the removal procedure.