

PUBLISHED: 21-NOV-2016  
2017.0 DISCOVERY (LR), 303-05A

ACCESSORY DRIVE - TDV6 3.0L DIESEL

# ACCESSORY DRIVE BELT TENSIONER

[G1988079]

## REMOVAL AND INSTALLATION

---

86.10.06	ACCESSORY DRIVE BELT TENSIONER - RENEW	3000 CC, TDV6	0.20	USED WITHINS	+
----------	---	------------------	------	--------------	---

---

## REMOVAL

### NOTES:

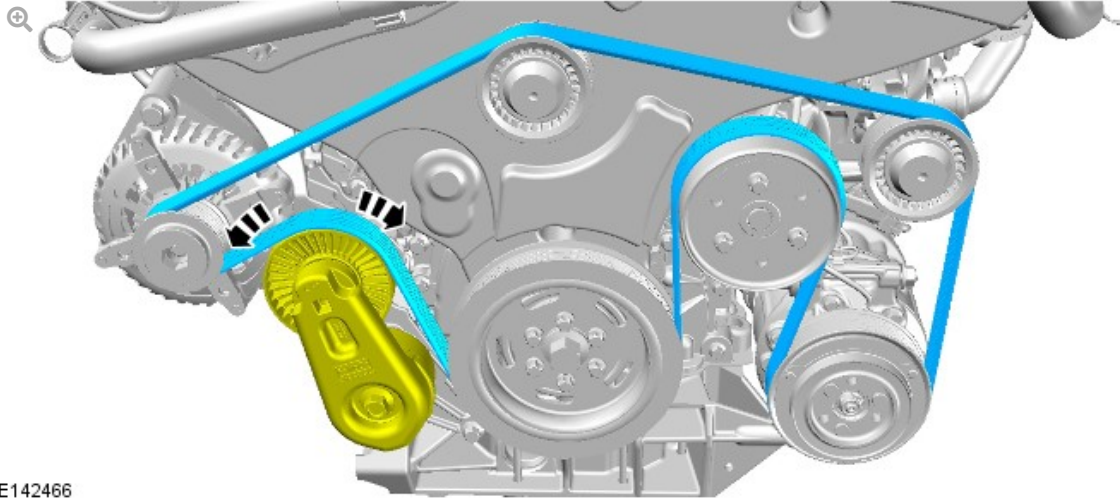
- Some variation in the illustrations may occur, but the essential information is always correct.
- Some components shown removed for clarity.

1. Disconnect the battery ground cable.  
Refer to: [Specifications](#) (414-00 Battery and Charging System - General Information, Specifications).
2. Remove the engine cover.  
Refer to: [Engine Cover - TDV6 3.0L Diesel](#) (501-05 Interior Trim and Ornamentation, Removal and Installation).

3.

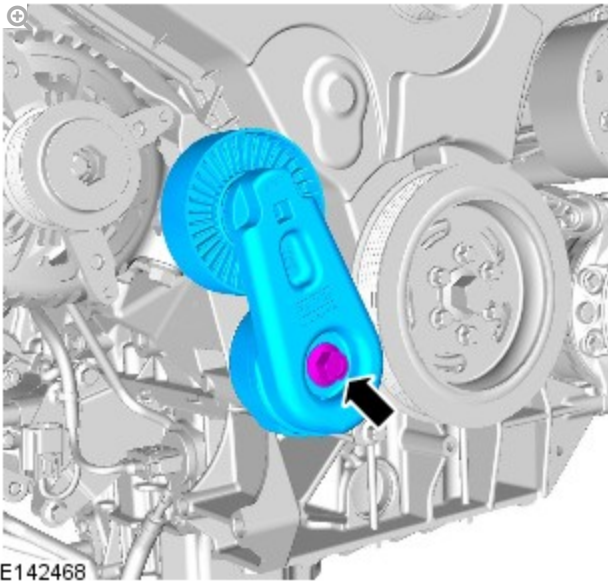
**NOTES:**

- Note the fitted position of the accessory drive belt.
- Engine shown removed for clarity.



E142466

4.



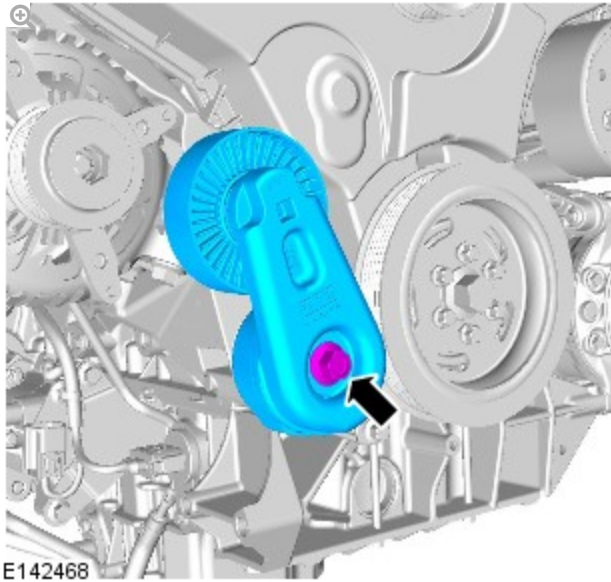
E142468

---

## INSTALLATION

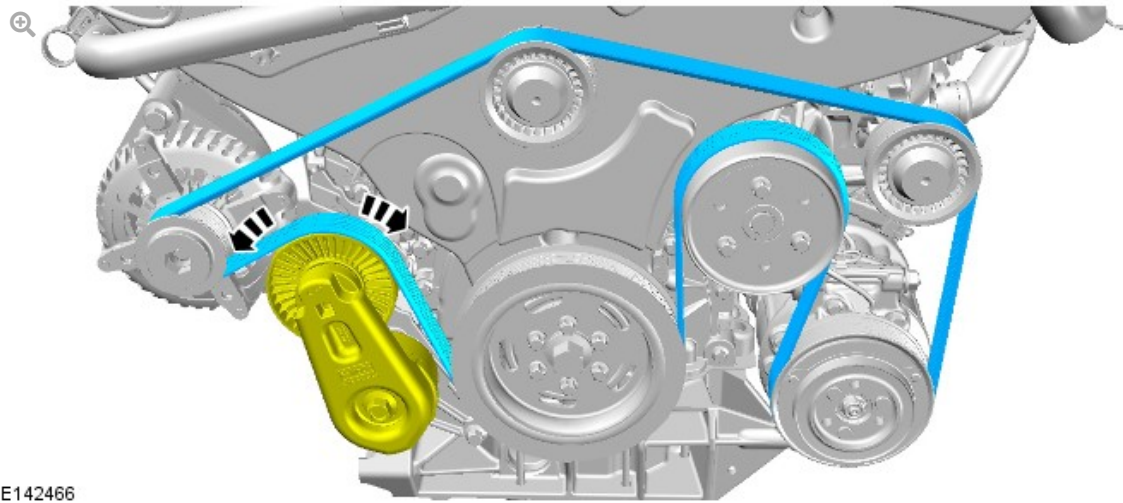
---

1.



*Torque: 47Nm*

2.



- 
3. Install the engine cover.  
Refer to: [Engine Cover - TDV6 3.0L Diesel](#) (501-05 Interior Trim and Ornamentation, Removal and Installation).

---

  4. Connect the battery ground cable.  
Refer to: [Specifications](#) (414-00 Battery and Charging System - General Information, Specifications).