

PUBLISHED: 21-NOV-2016
2017.0 DISCOVERY (LR), 303-05A

ACCESSORY DRIVE - TDV6 3.0L DIESEL

ACCESSORY DRIVE BELT (G1988078)

REMOVAL AND INSTALLATION

12.10.40	ACCESSORY DRIVE BELT - RENEW	3000 CC, TDV6	0.10	USED WITHINS	+
----------	------------------------------------	------------------	------	--------------	---

REMOVAL

NOTES:

- Removal steps in this procedure may contain installation details.
- Some variation in the illustrations may occur, but the essential information is always correct.

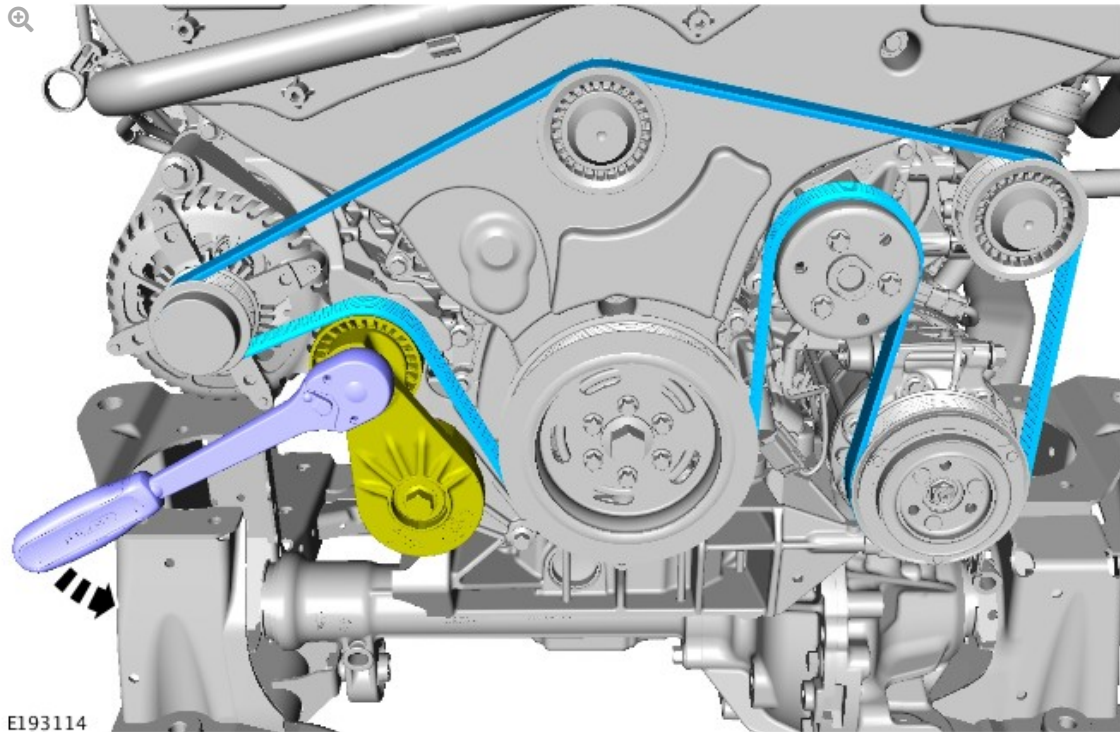
-
1. Disconnect the battery ground cable.
Refer to: [Specifications](#) (414-00 Battery and Charging System - General Information, Specifications).

 2. Remove engine cover.
Refer to: [Engine Cover - TDV6 3.0L Diesel](#) (501-05 Interior Trim and Ornamentation, Removal and Installation).

3.

NOTES:

- Note the fitted position of the accessory drive belt.
- Engine shown removed for clarity.

**INSTALLATION**

1.

CAUTIONS:

- Make sure that the accessory drive belt is correctly located on each pulley.
- Clean and inspect the accessory drive belt pulleys for damage.

NOTE:

Engine shown removed for clarity.

To install, reverse the removal procedure.