

PUBLISHED: 16-NOV-2022
2017.0 DISCOVERY (LR), 204-05

VEHICLE DYNAMIC SUSPENSION

AIR SUSPENSION COMPRESSOR (G1978619)

REMOVAL AND INSTALLATION

60.50.10	AIR SUSPENSION COMPRESSOR - RENEW	ALL DERIVATIVES	0.70	USED WITHINS	+
----------	--	--------------------	------	--------------	---

GENERAL EQUIPMENT

EQUIPMENT NAME

2 mm punch

PART(S)

STEP	PART NAME	PART NUMBER	QUANTITY
Installation Step 9	Air line connector(s)	LR083989	1
Installation Step 4	Voss connector - 8mm	LR041295	1

REMOVAL

CAUTION:

Before disconnecting any components, make sure the area is clean and free from foreign material. When disconnected all openings must be sealed.

NOTE:

- This procedure contains some variation in the illustrations depending on the vehicle specification, but the essential information is always correct.
- This procedure contains illustrations showing certain components removed to provide extra clarity.

1. Remove the right loadspace trim panel.
Refer to: [Right Loadspace Trim Panel](#) (501-05 Interior Trim and Ornamentation, Removal and Installation).

2.



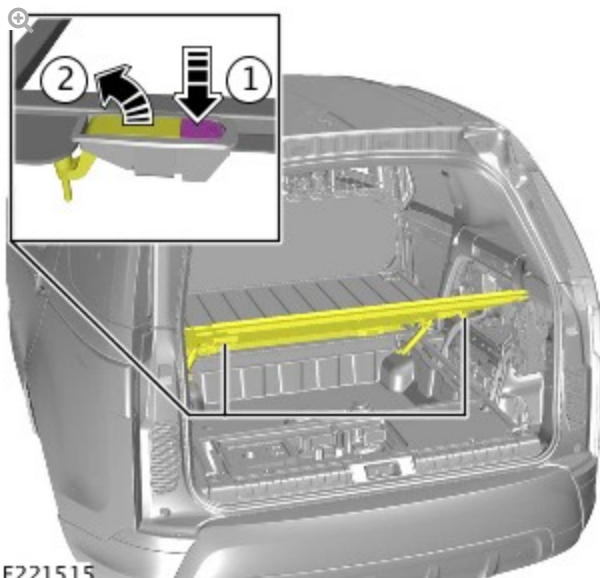
E204937

Remove the loadspace floor panel.

3.

NOTE:

If equipped.



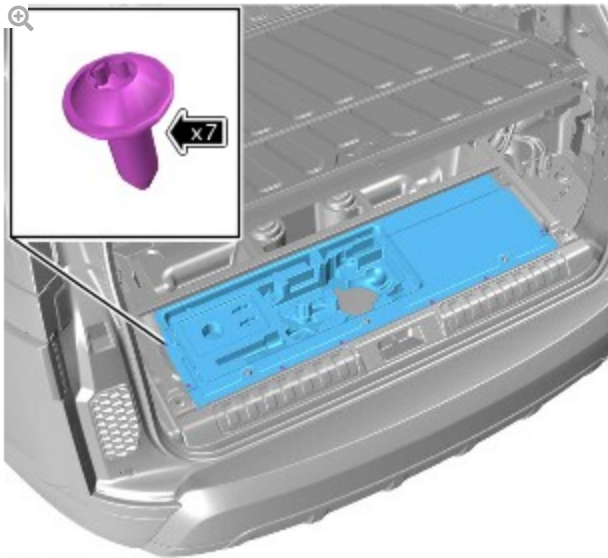
E221515

Open the loadspace rear trim panel.

4.

NOTE:

If equipped.

**E221361**

- Remove the 7 retaining screws.
- Remove the loadspace stowage tray.

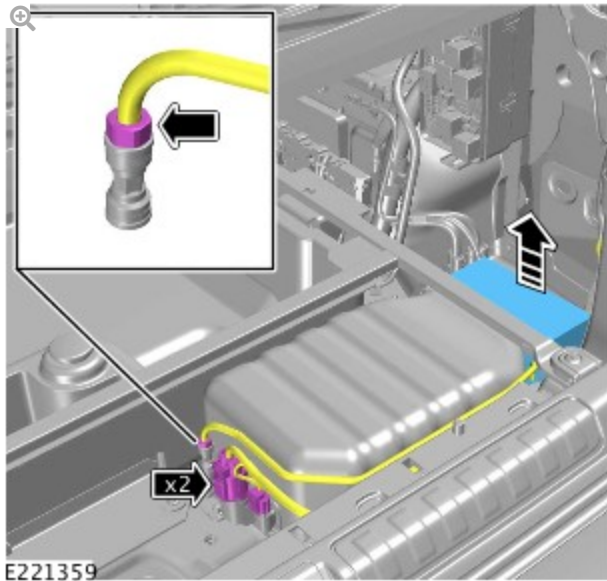
5.

WARNING:

A small amount of air pressure will be left in the air suspension system.

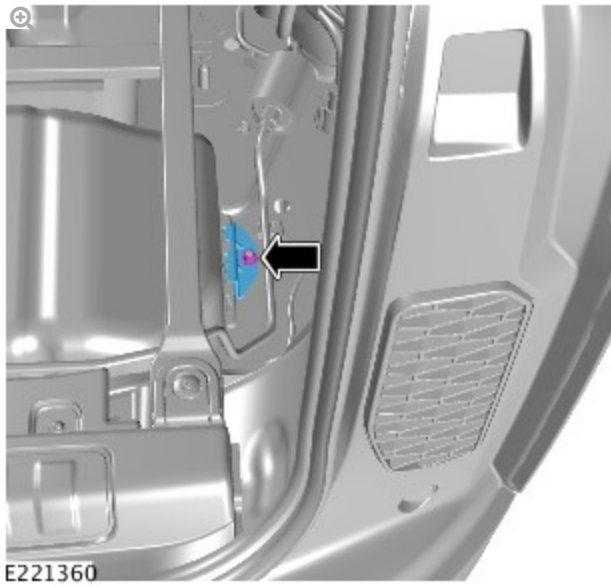
CAUTION:

Do not reuse the air line connector. Always install a new air line connector every time it is released.



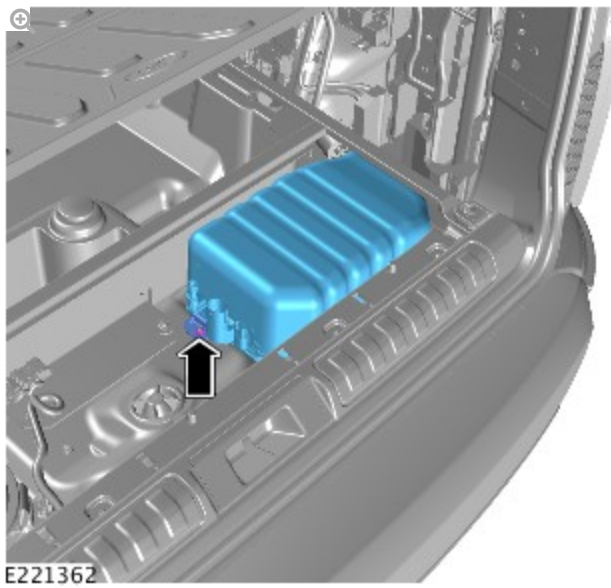
- Disconnect the wiring harness.
- Disconnect the air line and discard the air line connector.
Refer to: [Air Line Connector](#) (204-05 Vehicle Dynamic Suspension, General Procedures).
- Remove the Noise, Vibration and Harshness (NVH) material.

6.



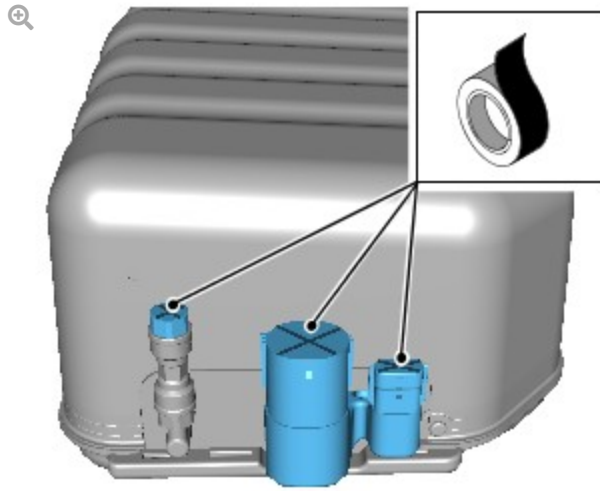
Remove the retaining bracket.

7.



Remove the air suspension air supply unit from the vehicle.

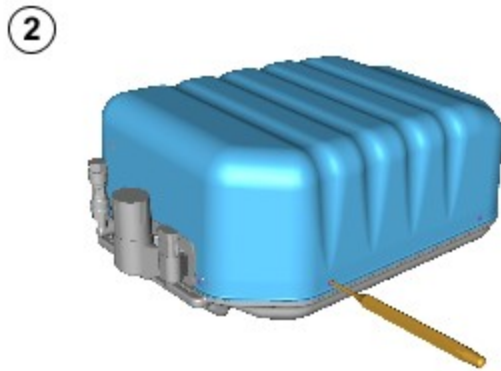
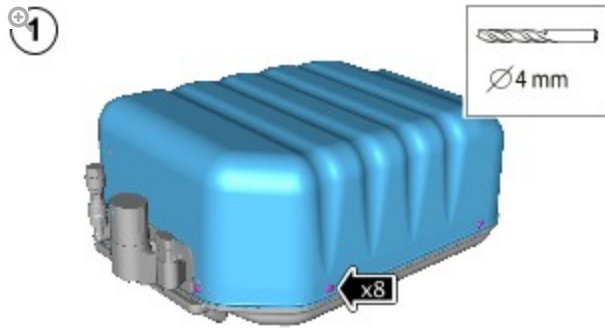
8.



E215226

Using a suitable tape, cover the airline and electrical connector openings.

9.



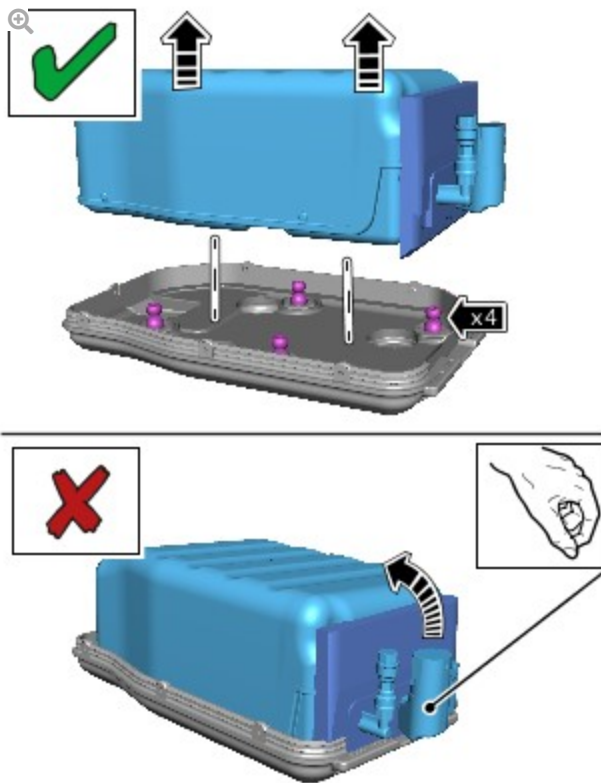
E215227

1. Using a 4 mm drill, remove the head of the rivets.
2. Using a suitable tool, release the rivet bodies.
General Equipment: 2 mm punch
3. Remove the outer cover.

10.

CAUTION:

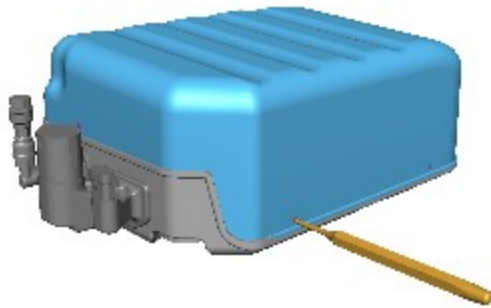
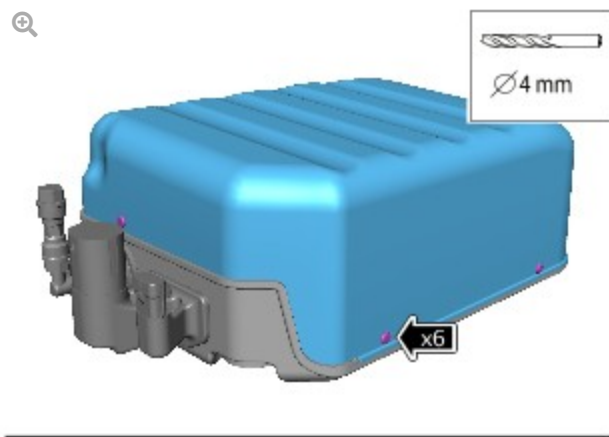
Do not pull on the suspension air supply unit connectors to release the clips.



E215228

- Remove the inner assembly from the outer assembly.
- Remove the NVH material.

11.



E215229

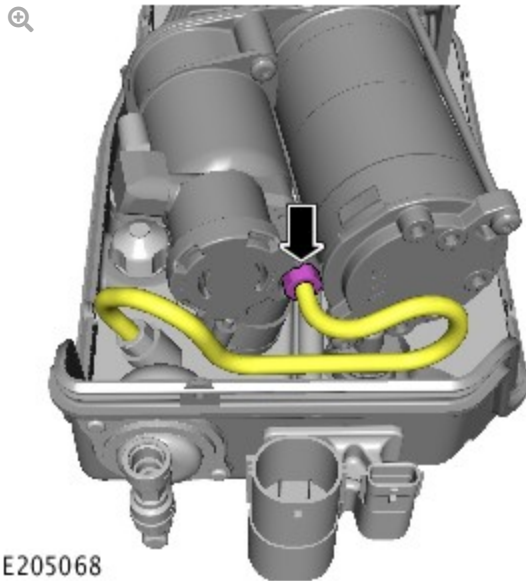
1. Using a 4 mm drill, remove the head of the rivets.
2. Using a suitable tool, release the rivet bodies.
General Equipment: 2 mm punch
3. Remove the inner cover.

12. Remove all drilling debris.

13.

CAUTION:

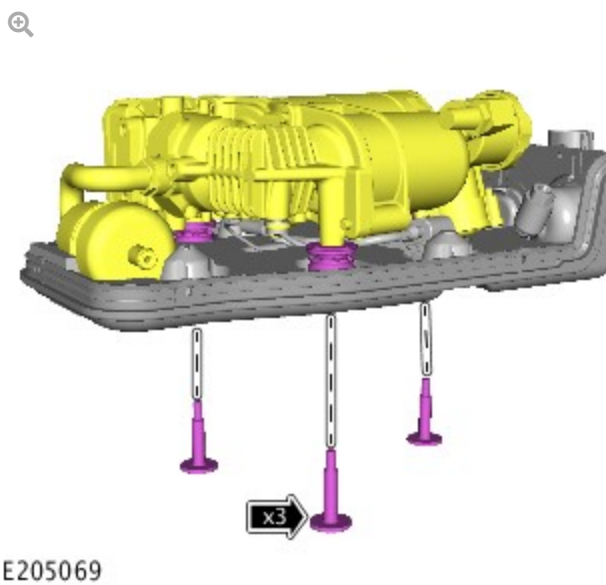
Do not reuse the air line connector. Always install a new air line connector every time it is released.



Disconnect the inner air line and discard the air line connector.

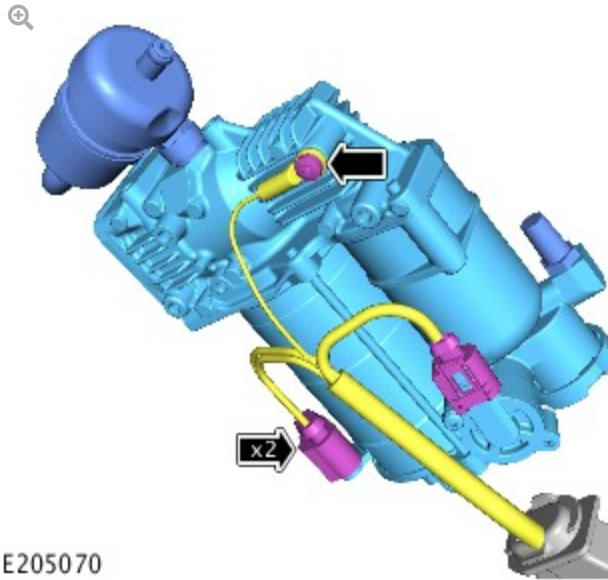
Refer to: [Air Line Connector](#) (204-05 Vehicle Dynamic Suspension, General Procedures).

14.



Remove the 3 mounting bolts.

15.



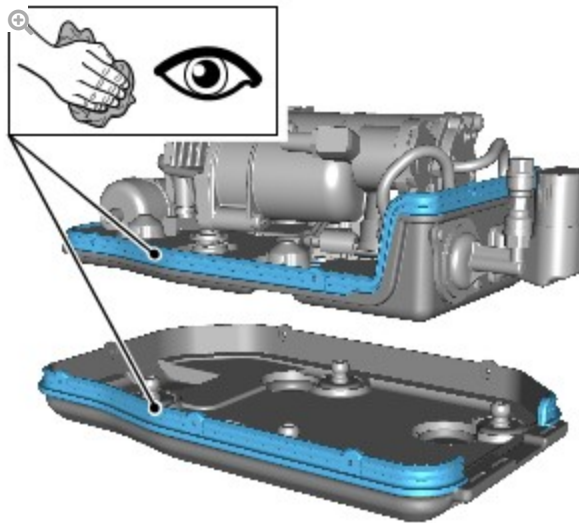
Disconnect the wiring harness.

INSTALLATION

1.

CAUTION:

Make sure all drilling debris is removed before assembling the components.



Clean and inspect the seals.

-
2.
 - Connect the wiring harness.
 - Install and tighten the bolt.
Torque: 3.5Nm
-

3. Install the 3 mounting bolts.
Torque: 7Nm
-

4.

CAUTION:

Do not reuse the air line connector. Always install a new air line connector every time it is released.

Connect the inner air line.

Refer to: [Air Line Connector](#) (204-05 Vehicle Dynamic Suspension, General Procedures).

Renew Part: [Voss connector - 8mm](#) Quantity: 1. Part Number: LR041295

Torque: 3.5Nm

5. Using new rivets measuring 4 x 12 mm, install the suspension air supply unit inner cover.
-

6.
 - Install the inner assembly to the outer assembly.
 - Install the [NVH](#) material.
-

7. Using new rivets measuring 4 x 12 mm, install the suspension air supply unit outer cover.
-

8. Install the air suspension compressor assembly.
Torque: 10.5Nm
-

9.

CAUTION:

Do not reuse the air line connector. Always install a new air line connector every time it is released.

Connect the outer air line.

Refer to: [Air Line Connector](#) (204-05 Vehicle Dynamic Suspension, General Procedures).

Renew Part: [Air line connector\(s\)](#) Quantity: 1. Part Number: LR083989

Torque: 3.5Nm

10. Install the [NVH](#) material.

11. Install the loadspace floor panel.
-

12.

NOTE:

If equipped.

- Install the loadspace stowage tray.
 - Install and tighten the 7 retaining screws.
Torque: 2Nm
-

13.

NOTE:

If equipped.

Close the loadspace rear trim panel.

14. Install the right loadspace trim panel.

Refer to: [Right Loadspace Trim Panel](#) (501-05 Interior Trim and Ornamentation, Removal and Installation).