

INSTRUMENT PANEL AND CONSOLE

# FLOOR CONSOLE UPPER SECTION (G1980156)

REMOVAL AND INSTALLATION

76.25.11	CONSOLE ASSEMBLY – FRONT – UPPER SECTION – RENEW	ALL DERIVATIVES	0.80	USED WITHINS
----------	--	-----------------	------	--------------

REMOVAL

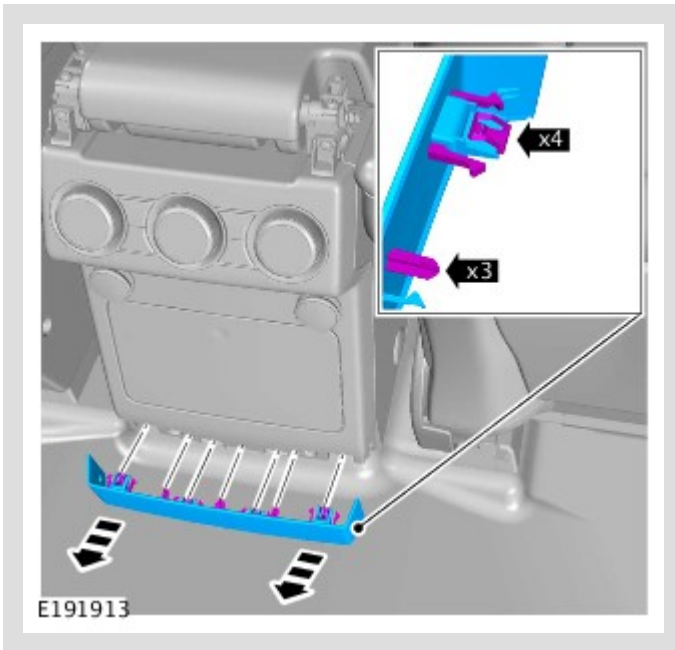
 CAUTIONS:

- Removal steps in this procedure contains installation details.
- Use a suitable trim tool.

1. Disconnect the battery ground cable.  
Refer to: [Specifications](#) (414-00 Battery and Charging System - General Information, Specifications).

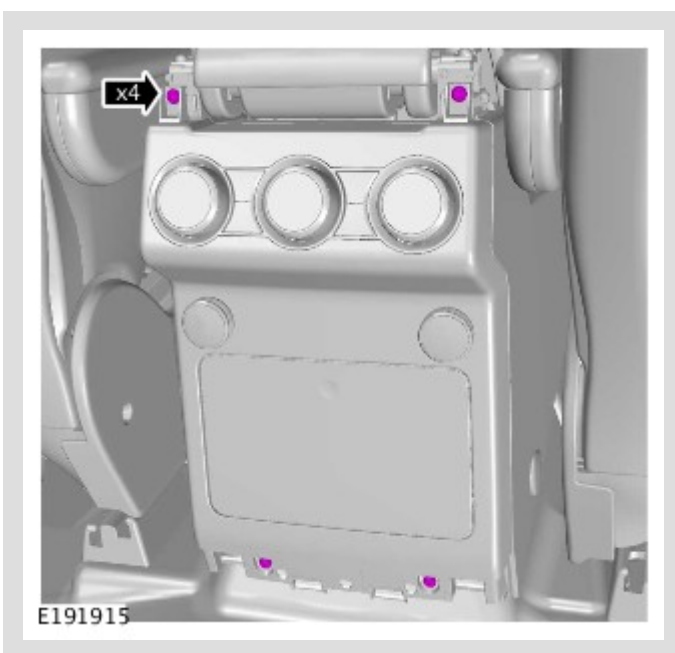
2. Remove the stowage compartment lid.  
Refer to: [Floor Console Stowage Compartment Lid](#) (501-12 Instrument Panel and Console, Removal and Installation).

3.



Remove the lower cover.

4.



- Remove the screws.

*Torque: 2Nm*

5.

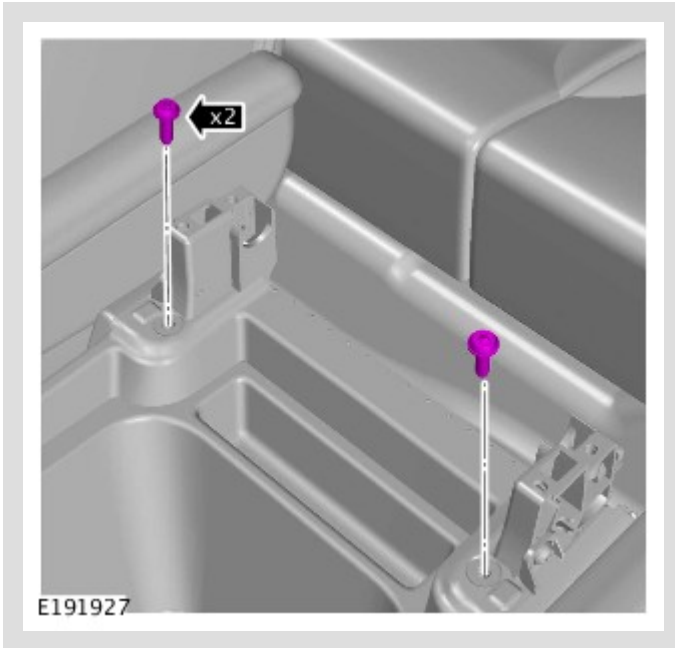
**ⓘ CAUTION:**

Take extra care not to damage the wiring harnesses.



Remove the floor console rear trim.


6.



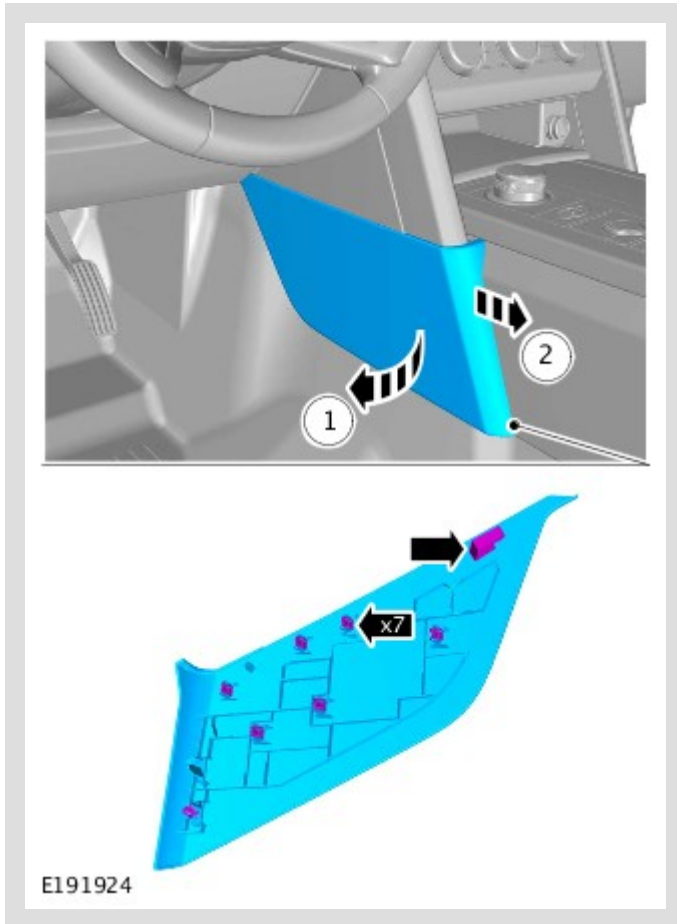
- Remove the screws.

*Torque: 2Nm*

7.

 **NOTE:**

The step must be carried out on both sides.



Remove the side covers.

8.

 **NOTE:**

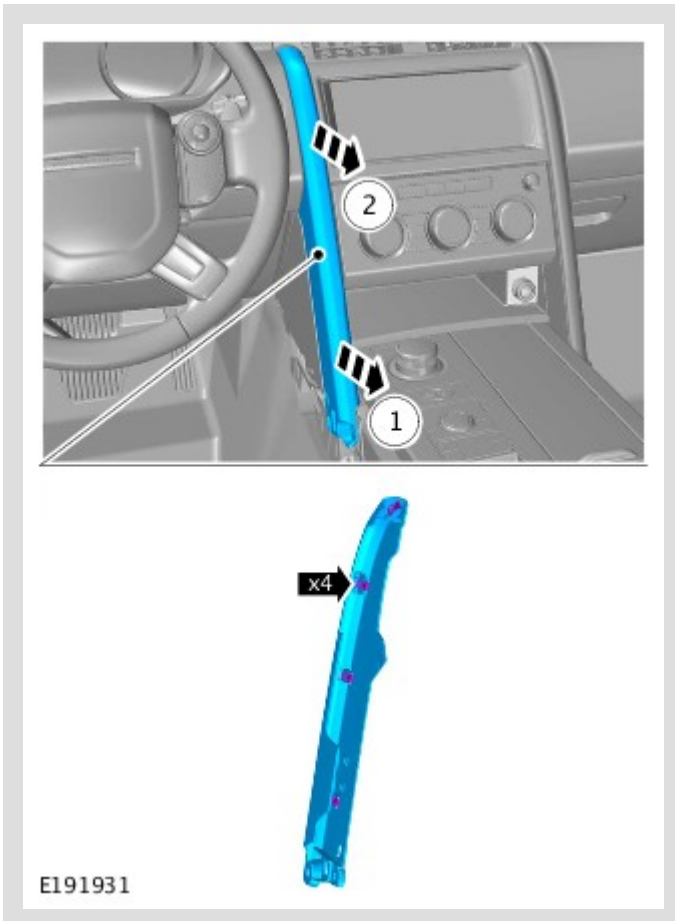
The step must be carried out on both sides.



- Remove the bolts.

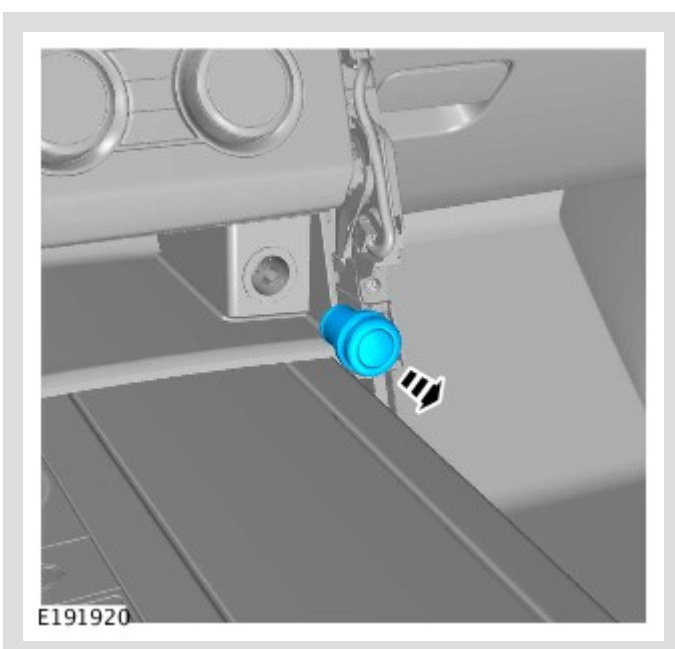
*Torque: 10Nm*

9.



Remove the vertical trim.

10.

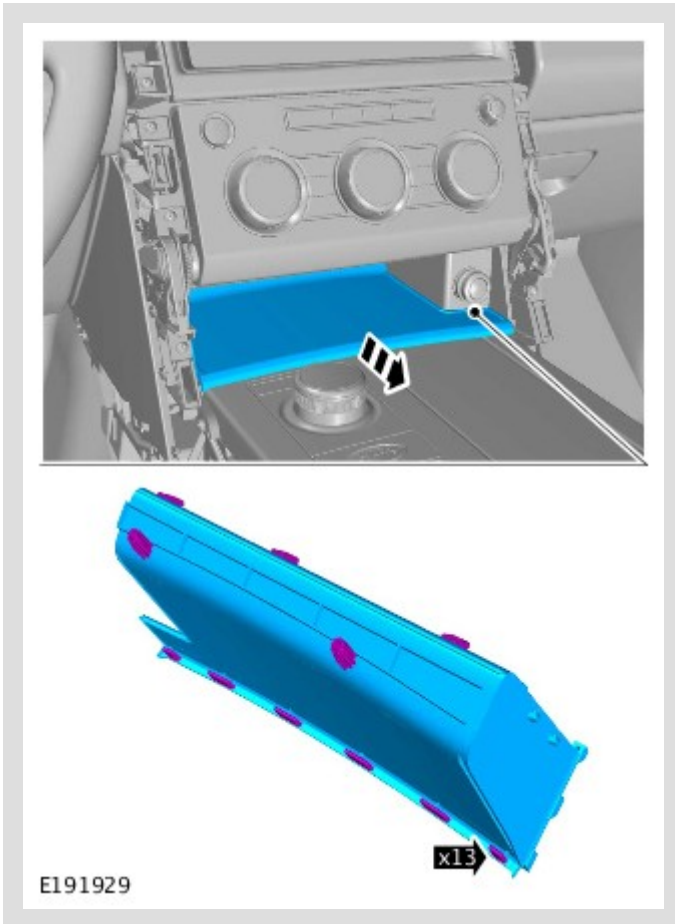


Remove the cigar lighter.

11.

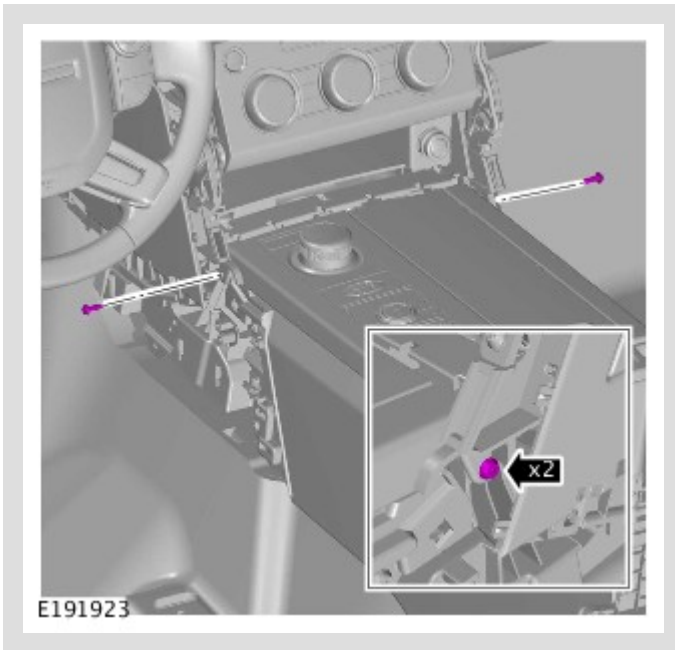
**ⓘ CAUTION:**

Take extra care not to damage the component.



Remove the rubber insert.

12.

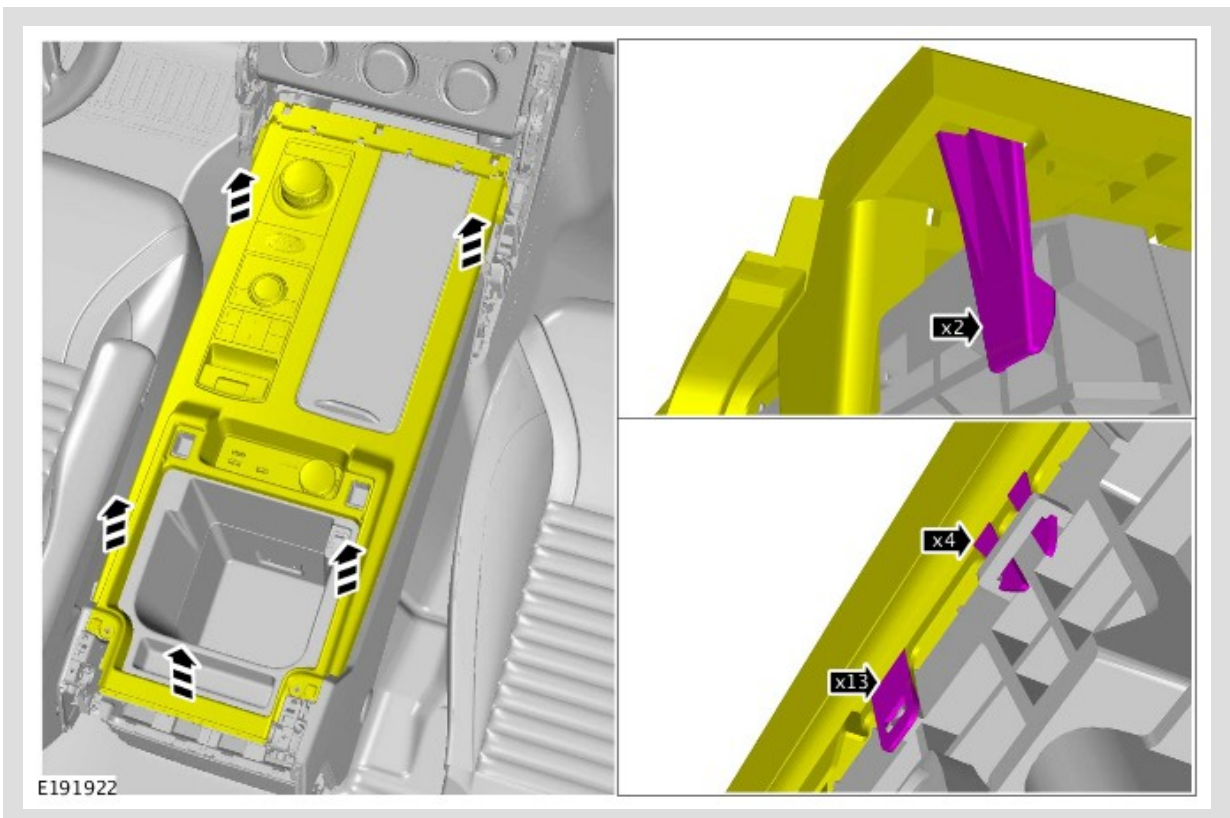


- Remove the retaining screws.  
*Torque: 2Nm*

13.

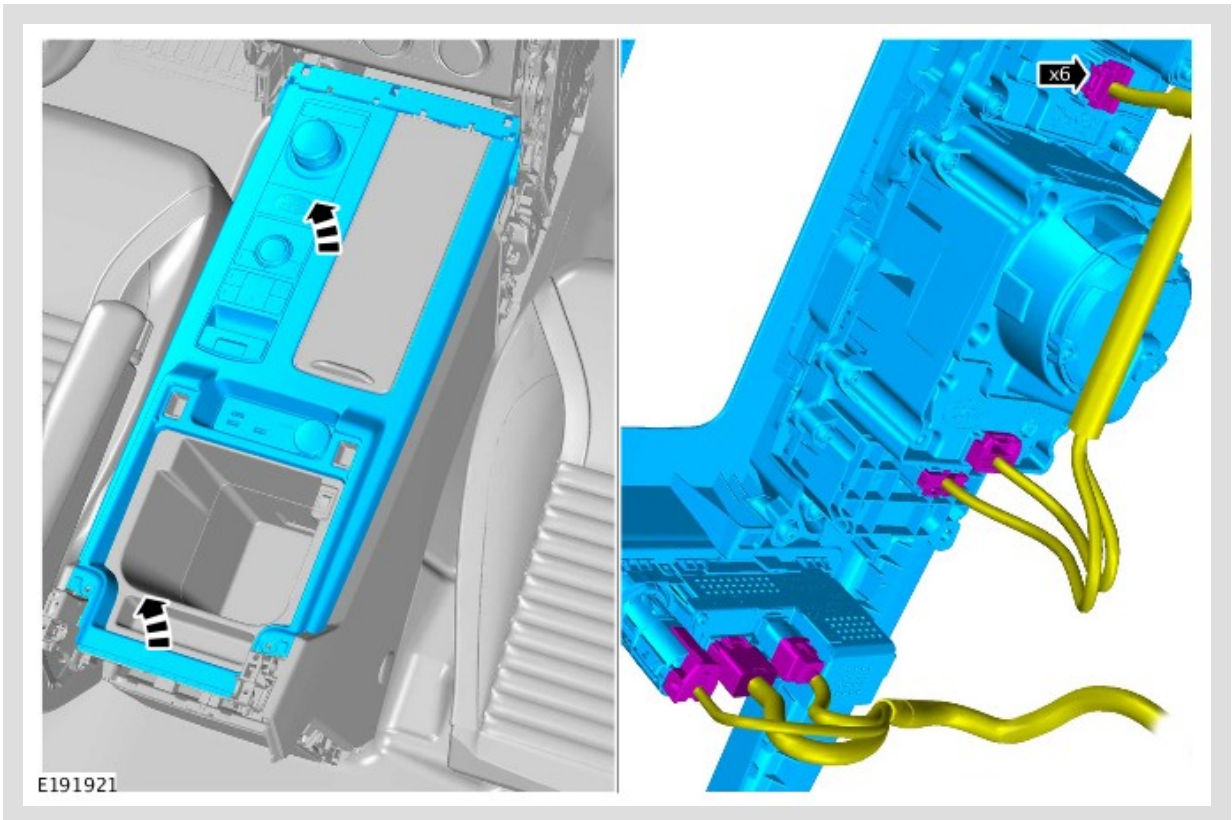
**⚠ CAUTIONS:**

- Make sure the wiring harness and electrical connectors are not damaged during this operation.
- Carefully release either side of the component to avoid damage.




Release, but do not remove floor console upper trim.

14.

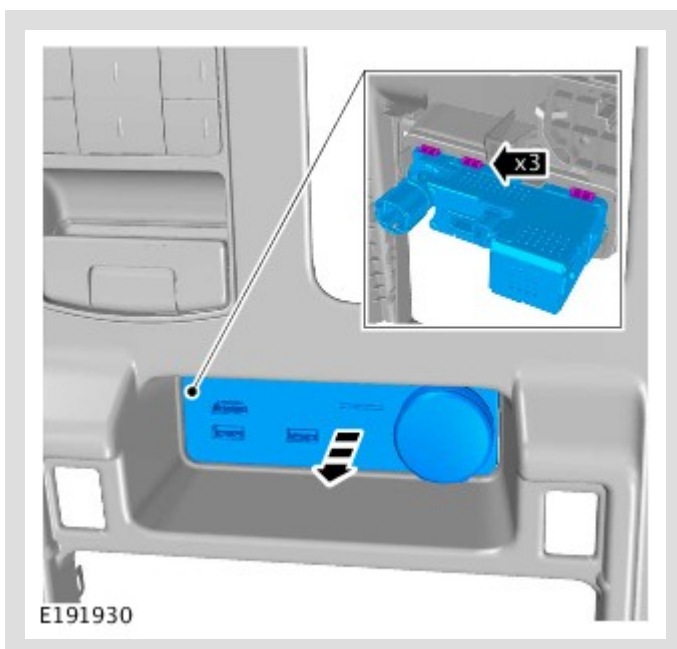


- Disconnect the electrical connectors.
- Remove the floor console upper trim.

15.

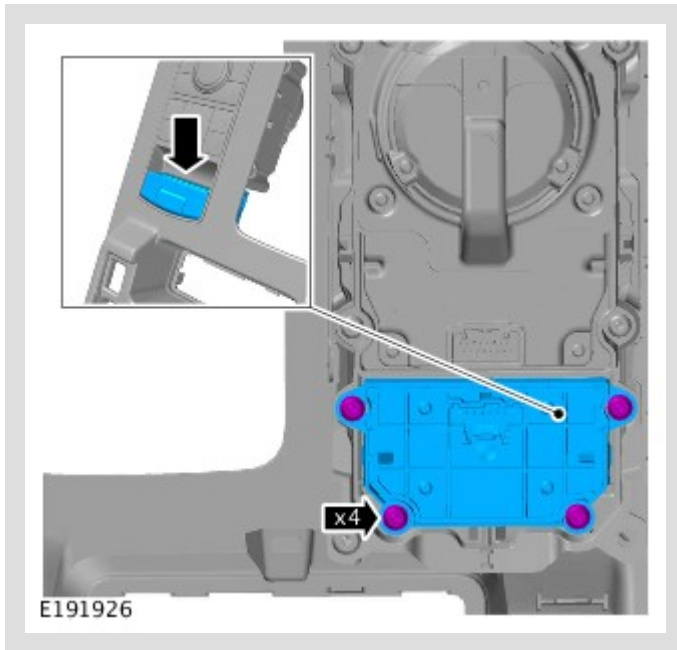
 **NOTES:**

- Do not disassemble further if the component is removed for access only.
- If equipped.



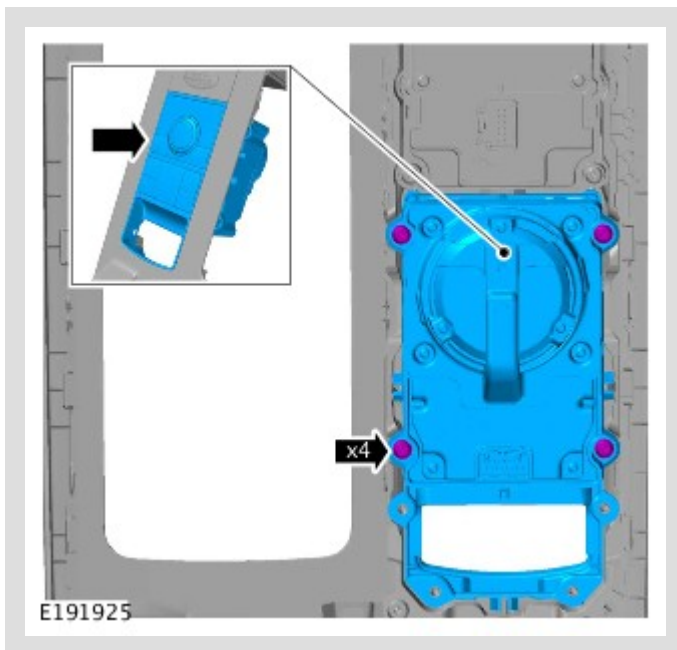
Remove the portable audio interface.

16.



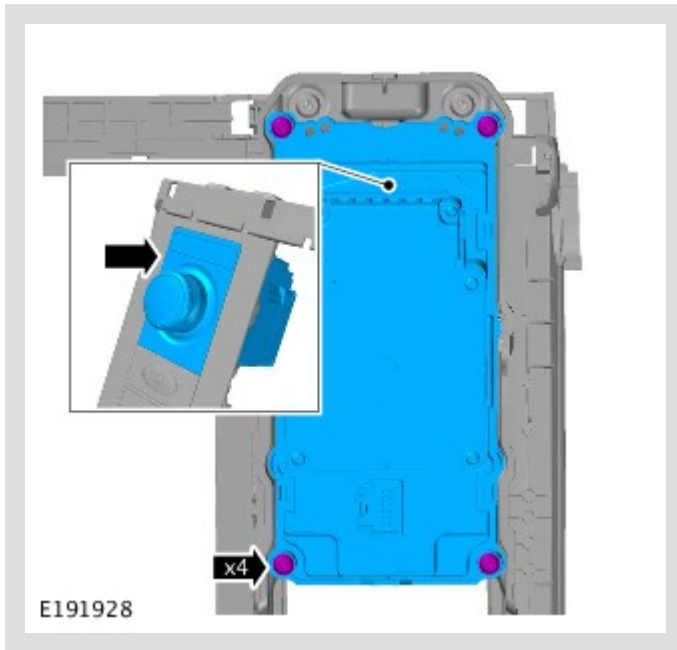
- Remove the parking brake switch.  
*Torque: 2Nm*

17.



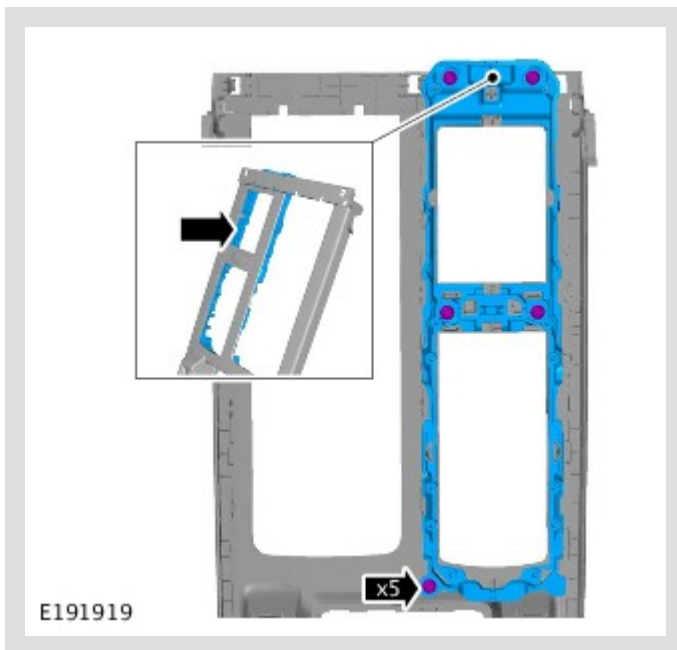
- Remove terrain response switchpack.  
*Torque: 2Nm*

18.



- Remove the transmission control switch assembly.  
*Torque: 2Nm*

19.



- Remove the floor console switchpack retaining trim.  
*Torque: 2Nm*

## INSTALLATION

1. To install, reverse the removal procedure.