

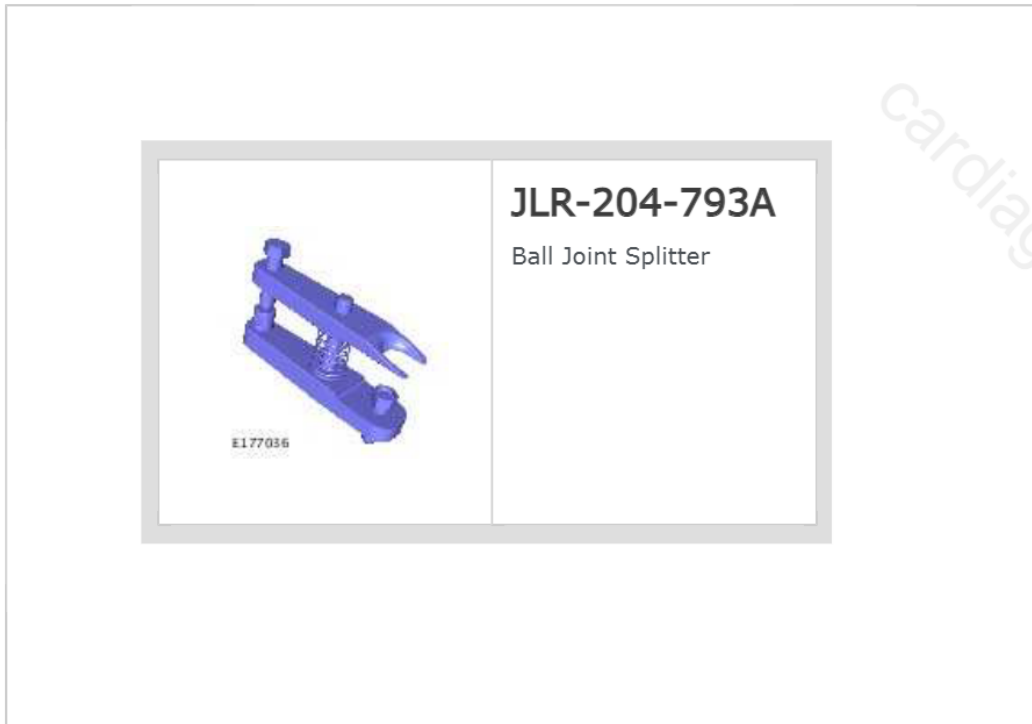
PUBLISHED: 19-JAN-2017
2017.0 DISCOVERY (LR), 204-01

FRONT SUSPENSION

FRONT LOWER ARM (G1988502)

REMOVAL AND INSTALLATION

SPECIAL TOOL(S)



PART(S)

STEP	PART NAME	QUANTITY
Installation Step 1	Ball joint nut(s)	1
Installation Step 2	Front lower control arm nut and bolt	1

REMOVAL

CAUTION:

The suspension arm to subframe/body nuts and bolts must be tightened with the suspension in arms in the normal ride position. Failure to follow this instruction may result in premature failure of the bushing.

NOTE:

Some variation in the illustrations may occur, but the essential information is always correct.

1.

WARNING:

Do not work on or under a vehicle supported only by a jack. Always support the vehicle on safety stands.

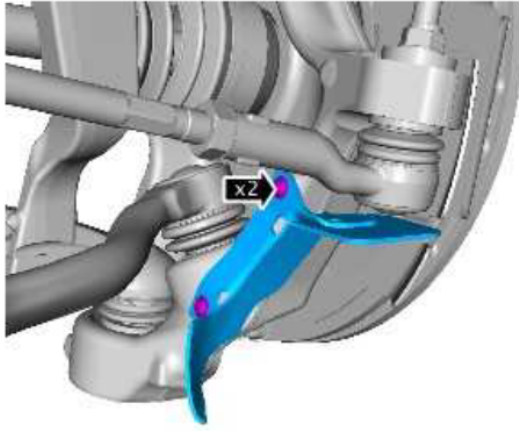
Raise and support the vehicle.

2.

Remove the front wheel and tire.

Refer to: Wheel and Tire - TDV6 3.0L Diesel /V6 S/C 3.0L Petrol /INGENIUM I4 2.0L Diesel (204-04 Wheels and Tires, Removal and Installation).

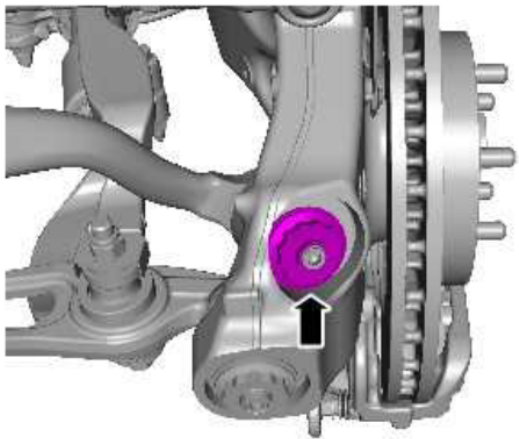
3.



E193486

Remove the component.

4.

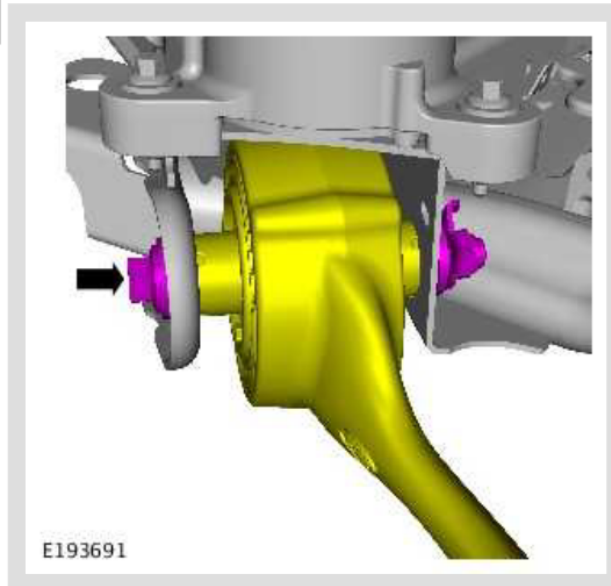


E193690

Loosen, but do not fully remove the nut.

cardiagn.com

5.

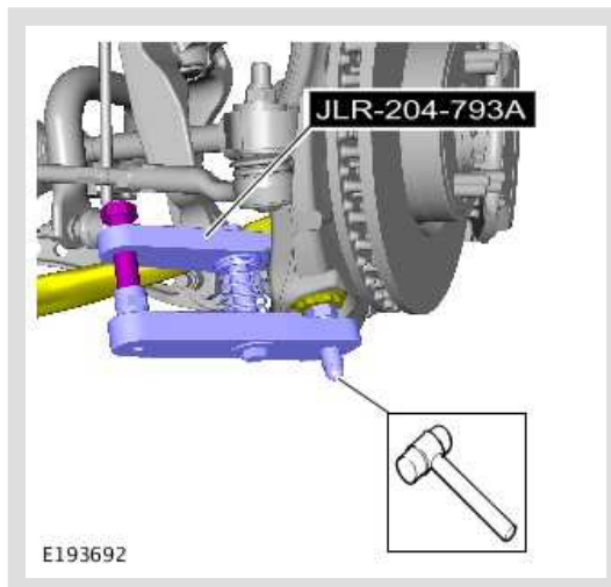


Disconnect the lower arm. Discard the nut and bolt.

6.

⚠ CAUTION:

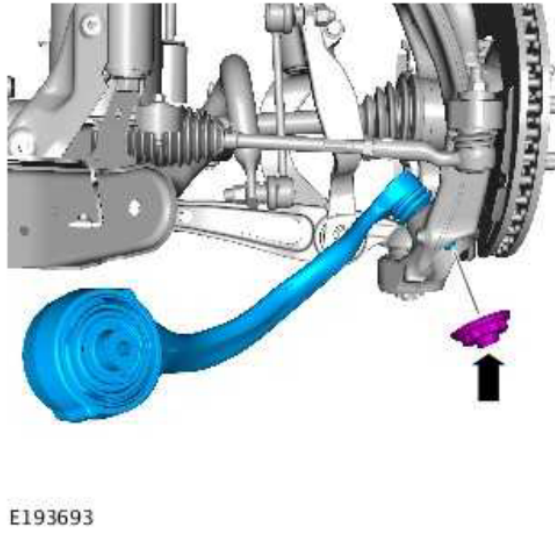
Make sure the special tool is correctly located and the lower ball joint boot is not damaged while carrying out the operation. Failure to follow this instruction may result in damage to the component.



Using the special tool, release the lower arm ball joint from the wheel knuckle.

Special Tool(s): [JLR-204-793A](#)

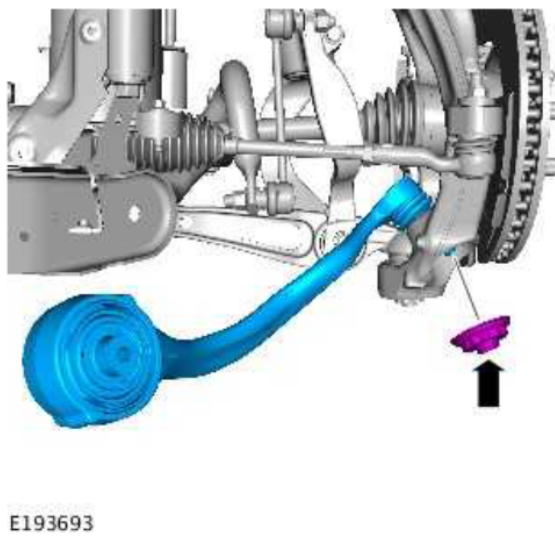
7.



Remove the lower arm. Discard the nut.

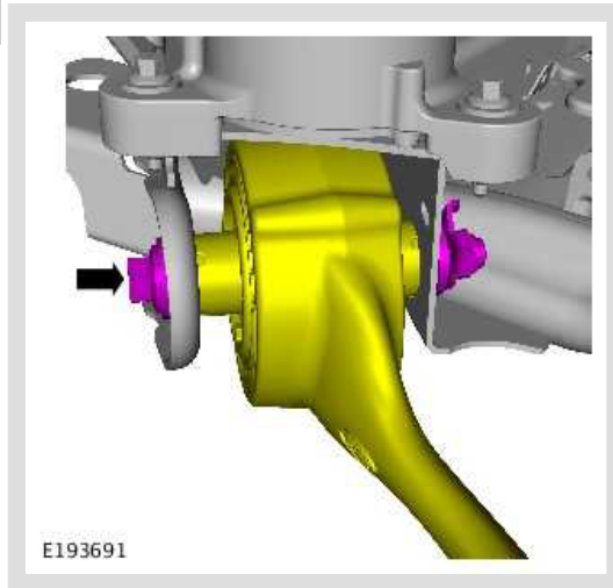
INSTALLATION

1.



Install the lower arm. Install a new nut.
Renew Part: [Ball joint nut\(s\)](#) Quantity: 1 .

2.



Connect the lower arm. Install a new nut and bolt.

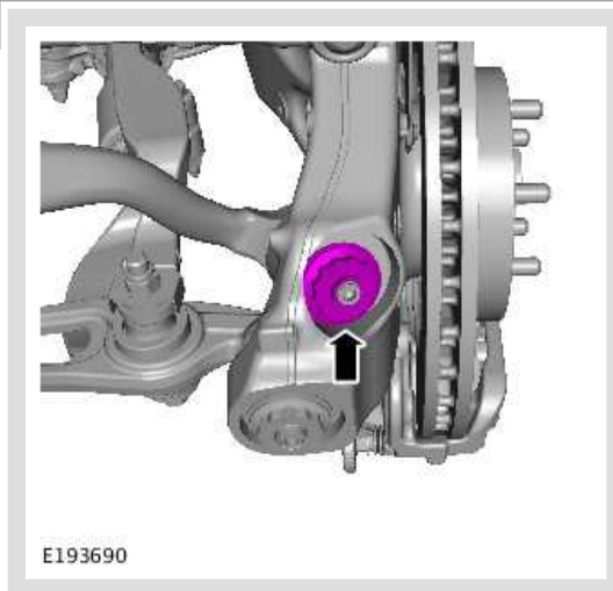
Renew Part: *Front lower control arm nut and bolt* Quantity: 1 .

Torque:

Stage 1: 100 Nm

Stage 2: 360°

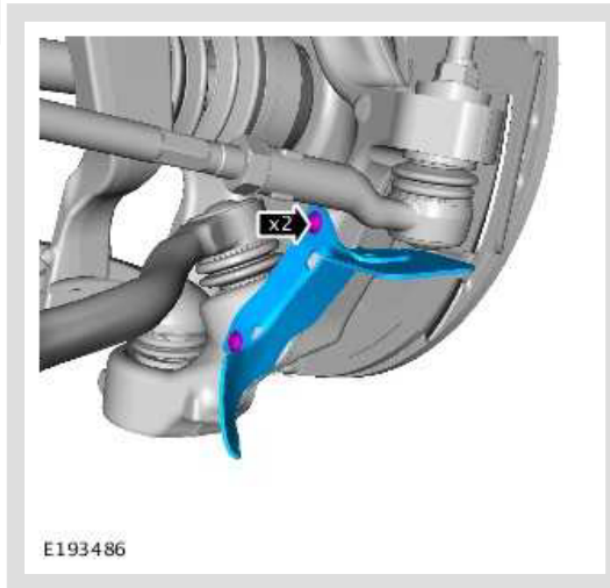
3.



Fully tighten the lower arm ball joint nut.

Torque: 290 Nm

4.



Install the component.

Torque: 9 Nm

5. Install the front wheel and tire.

Refer to: Wheel and Tire - TDV6 3.0L Diesel /V6 S/C 3.0L Petrol /INGENIUM I4 2.0L Diesel (204-04 Wheels and Tires, Removal and Installation).

6. Carry out front wheel alignment only.

Refer to: Four Wheel Alignment (204-00 Suspension System - General Information, General Procedures).

cardiagn.com