
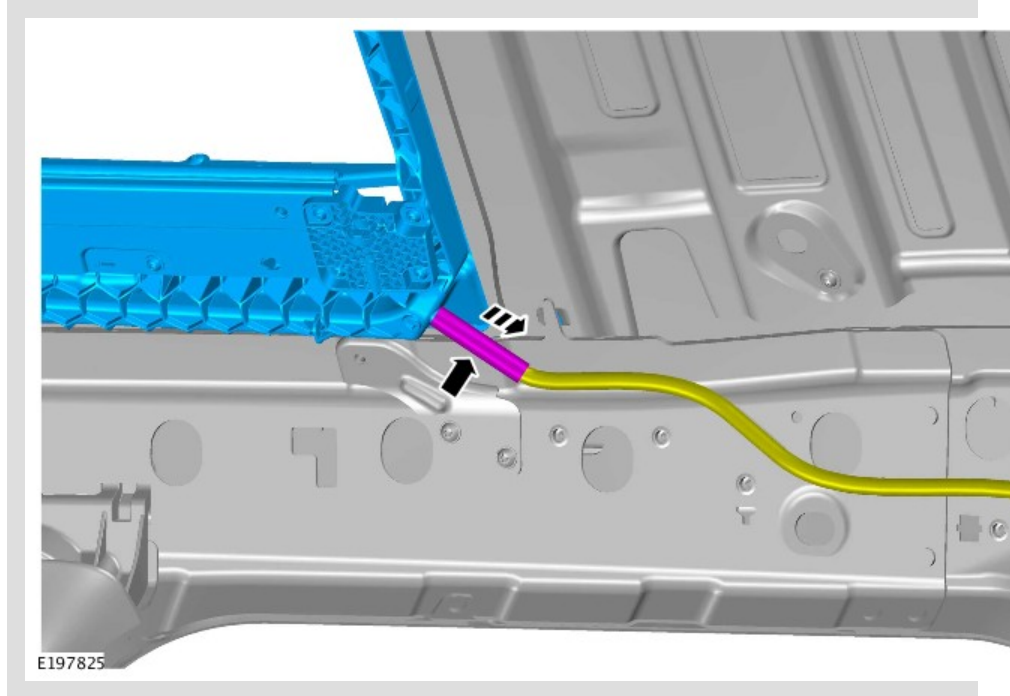


10.

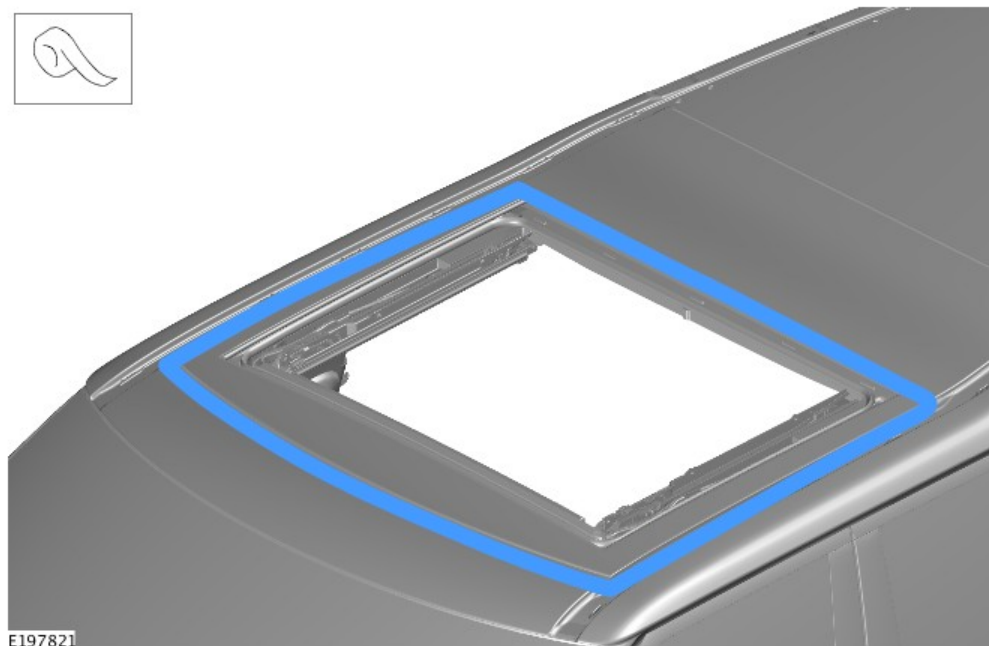
 NOTE:

This step must be carried out on both sides.



Disconnect the drain tube.

11.



Apply masking tape to protect paintwork.