

PUBLISHED: 04-MAY-2017
2017.0 DISCOVERY (LR), 501-10

SEATING

FRONT ROW SEAT - VEHICLES WITH: POWER SEATS (G2006798)

REMOVAL AND INSTALLATION

78.10.44.99	FRONT SEAT - REMOVE FOR ACCESS AND REFIT	ALL DERIVATIVES	0.3	USED WITHINS	
-------------	--	-----------------	-----	--------------	--

REMOVAL

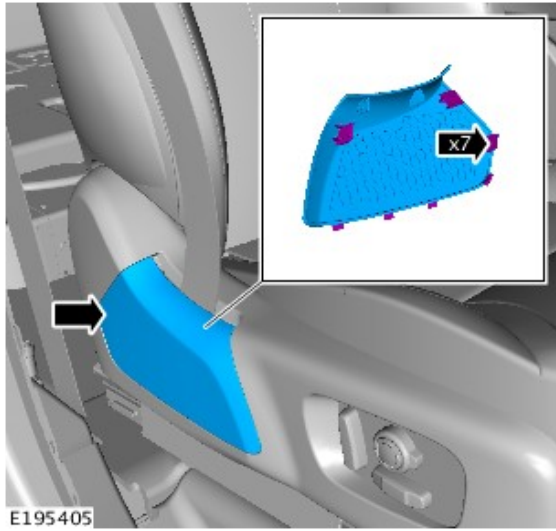
NOTE:

Some variation in the illustrations may occur, but the essential information is always correct.

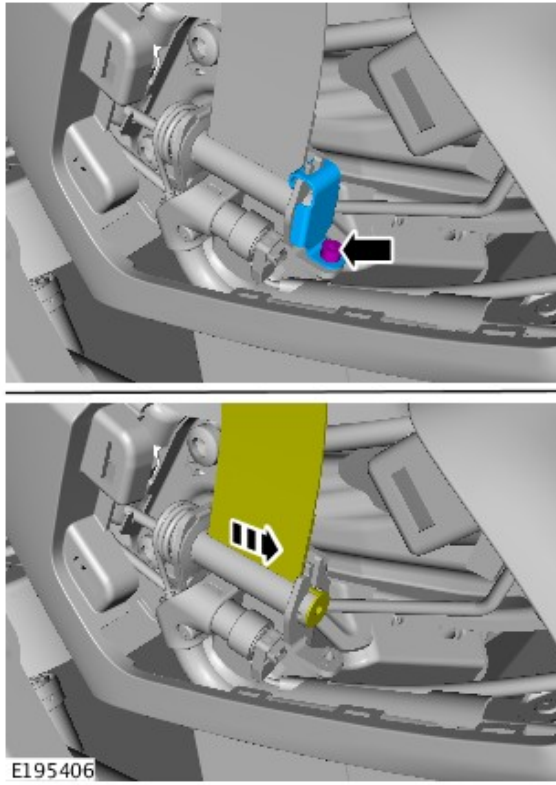
1. Make the Supplementary Restraint System (SRS) system safe.
Refer to: Standard Workshop Practices (100-00, Description and Operation).

2. Move the front seats fully forwards.

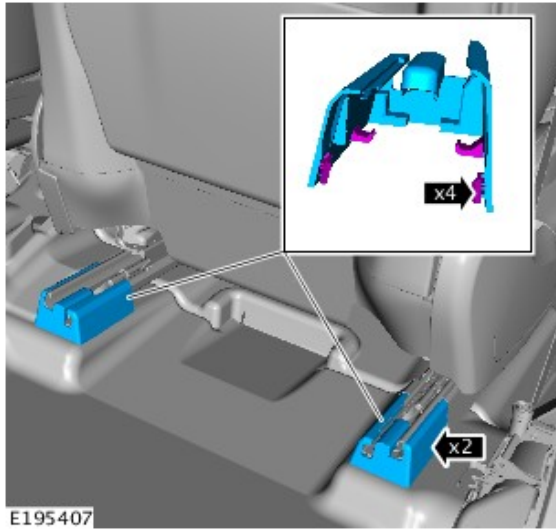
3.



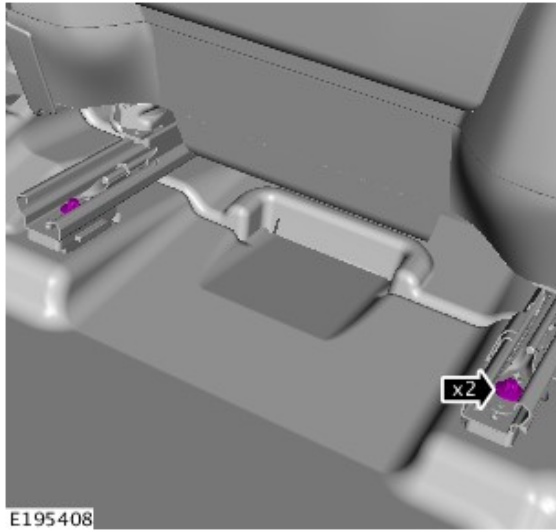
4.



5.

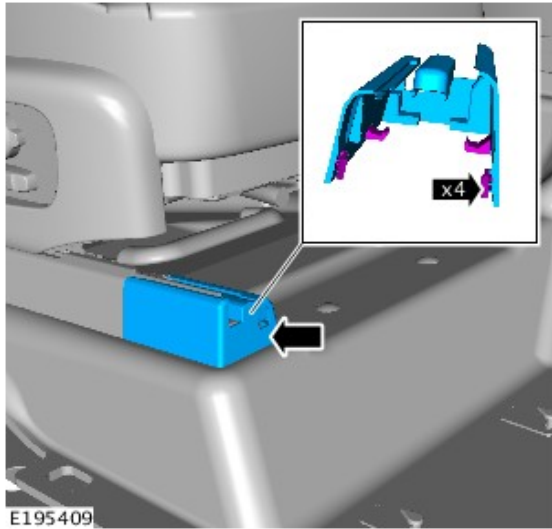


6.

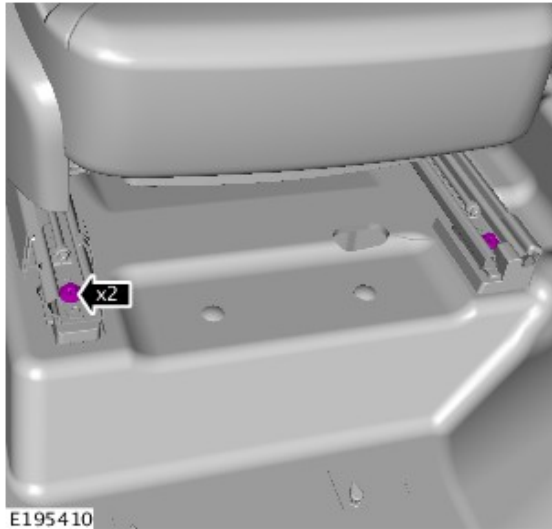


7. Move the front seats fully backwards.

8.



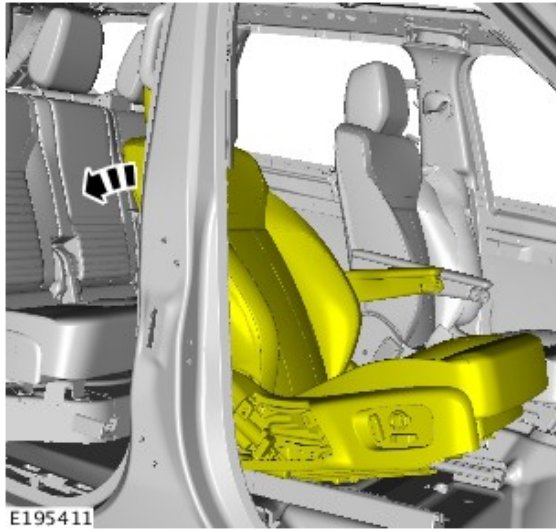
9.



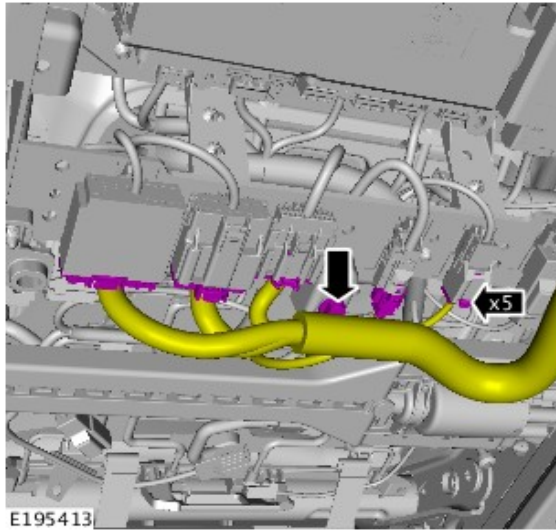
10. Reposition the front seat to the central position.

11. Disconnect the battery ground cable.
Refer to: Specifications (414-00, Specifications).

12.



13.



14.



WARNING:

This step requires the aid of another technician.



CAUTION:

Protect the surrounding paintwork to avoid damage.



INSTALLATION

1.

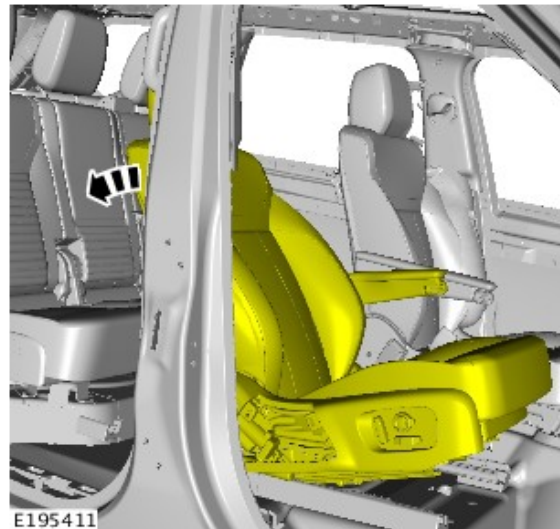


WARNING:

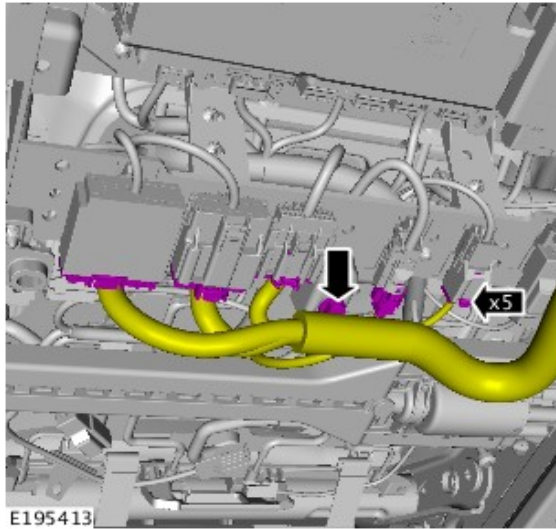
This step requires the aid of another technician.



2.



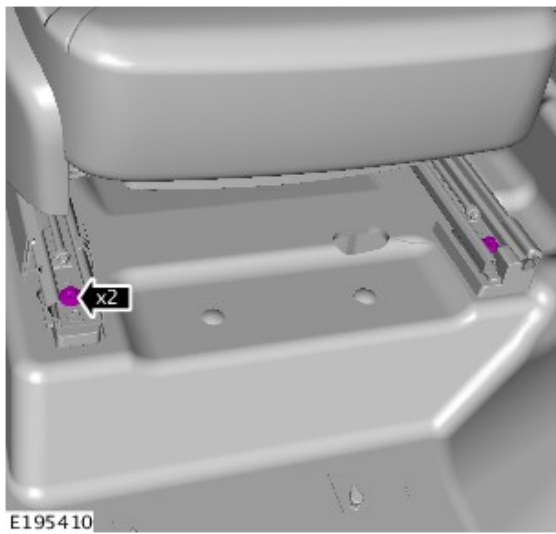
3.



4. Connect the battery ground cable.
Refer to: Specifications (414-00, Specifications).

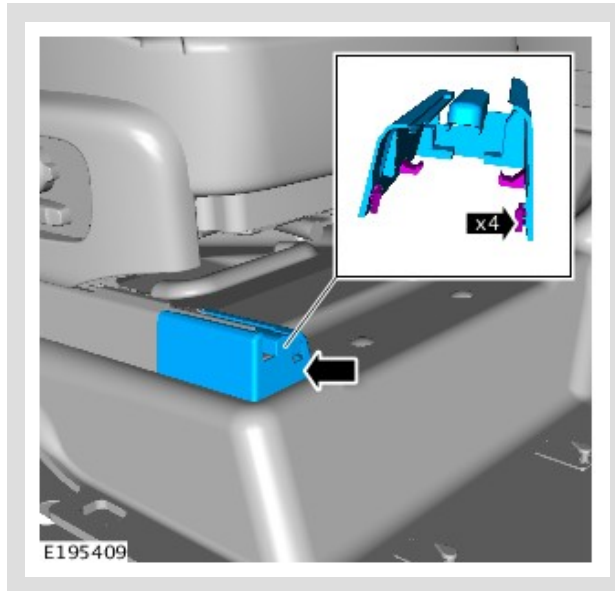
5. Move the front seats fully backwards.

6.



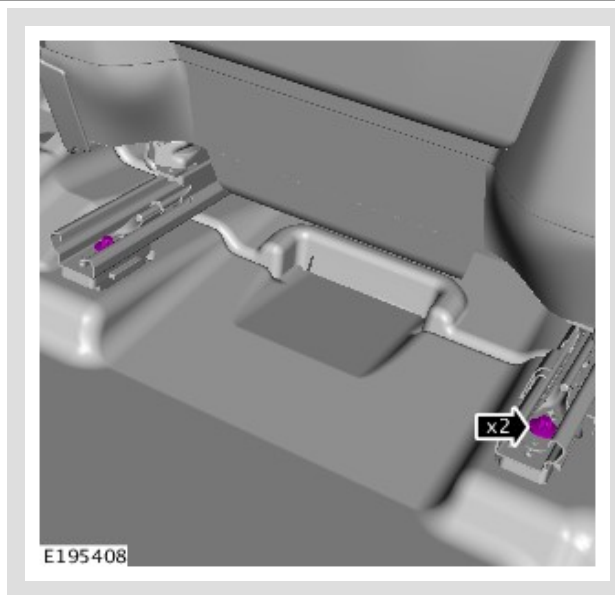
Torque: 50 Nm

7.



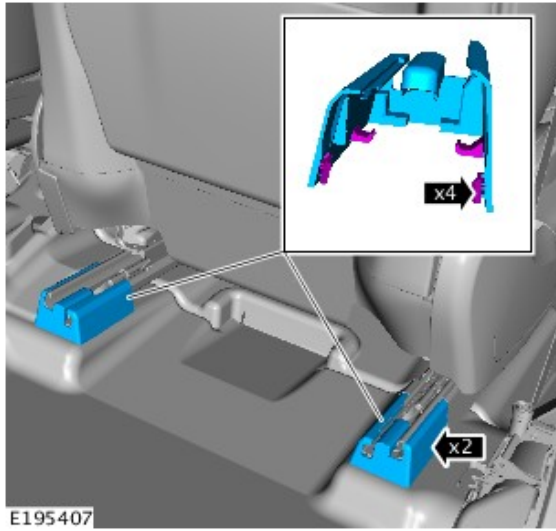
8. Move the front seats fully forwards.

9.

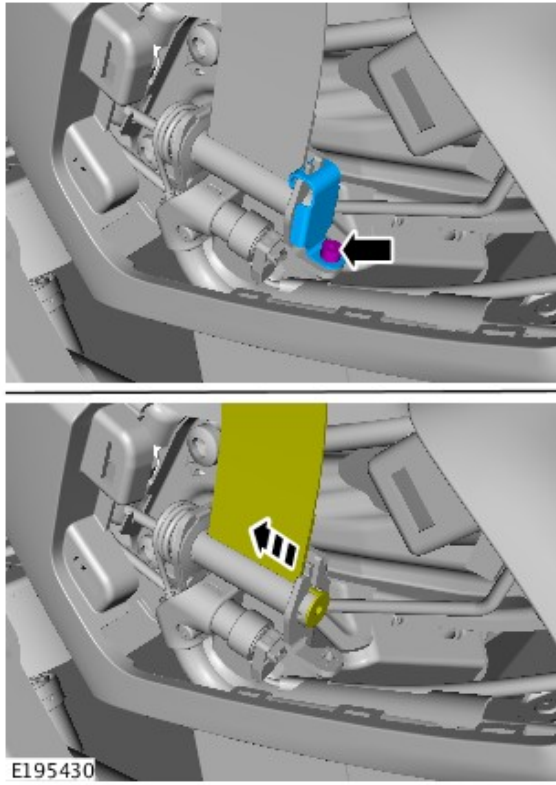


Torque: 50 Nm

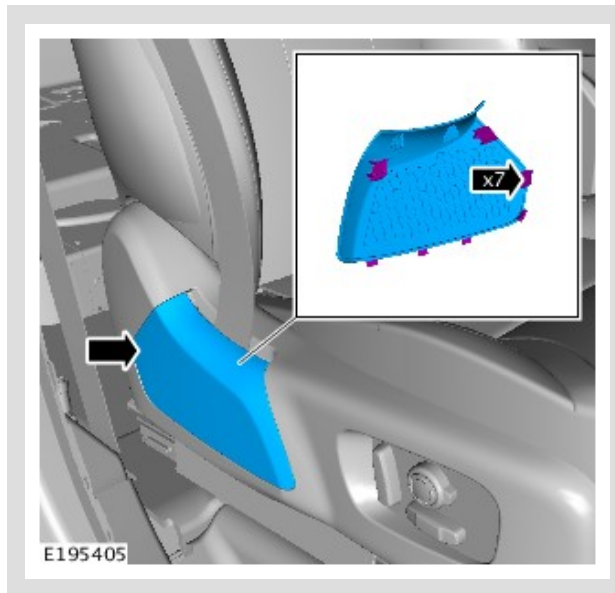
10.



11.



12.



13. Connect the battery ground cable.
Refer to: Specifications (414-00, Specifications).