

PUBLISHED: 09-JAN-2017
2017.0 DISCOVERY (LR), 501-19

BUMPERS

FRONT BUMPER (G1972114)

REMOVAL AND INSTALLATION

76.22.72	BUMPER VALANCE - FRONT - RENEW	ALL DERIVATIVES	1.7	USED WITHINS
----------	---	--------------------	-----	-----------------

REMOVAL

NOTE:

- Removal steps in this procedure may contain installation details.
- Some variation in the illustrations may occur, but the essential information is always correct.

1.




WARNING:

Make sure to support the vehicle with axle stands.

Raise and support the vehicle.

2.

 **NOTE:**

Repeat the step for the other side.



- Remove the front wheel and tire.


Torque:

Stage 1: **40 Nm**

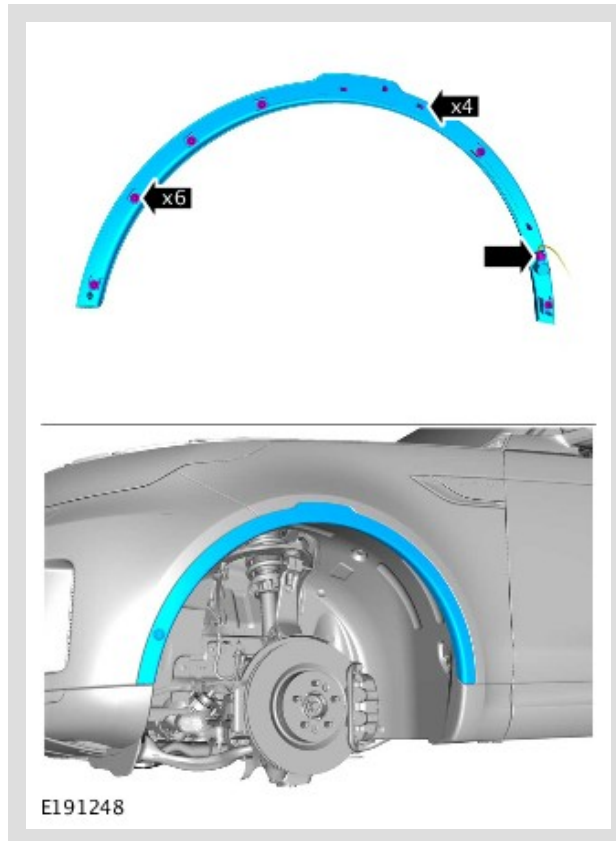
Stage 2: **70 Nm**

Stage 3: **133 Nm**

3.


 NOTE:

Repeat the step for the other side.

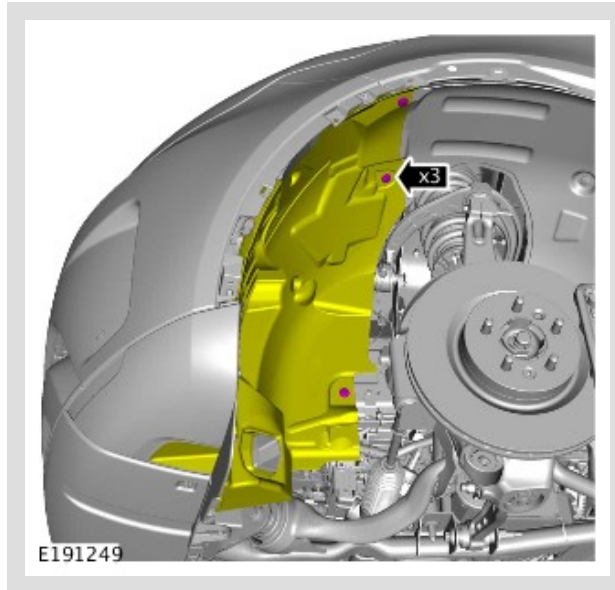


- Disconnect the electrical connector.
- Remove the front fender trim panel.

4.


 NOTE:

Repeat the step for the other side.



Release the front section of the wheel arch liner.

5.

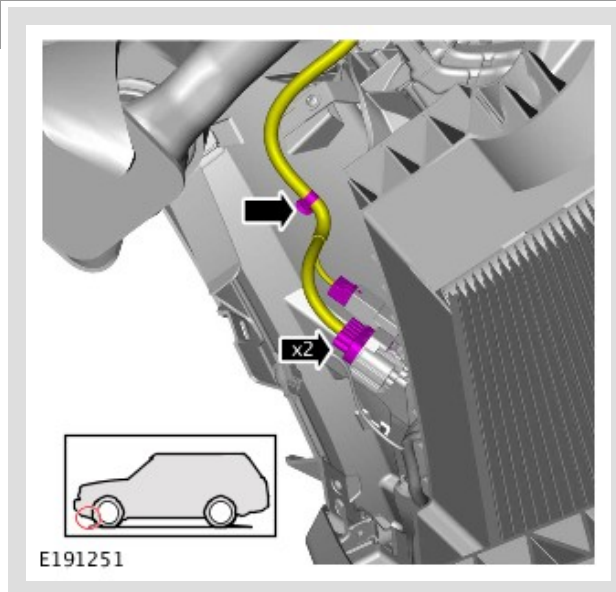
 NOTE:

Repeat the step for the other side.



Remove the forward section of the front wheel arch liner.

6.

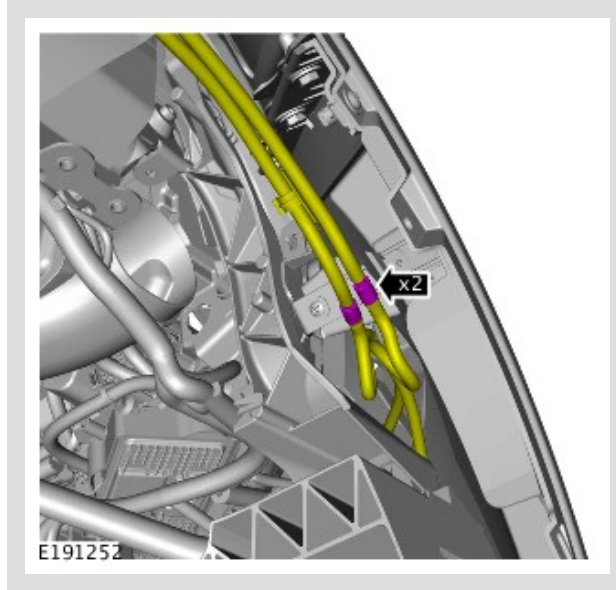


Disconnect the front bumper wiring harness electrical connector.

7.

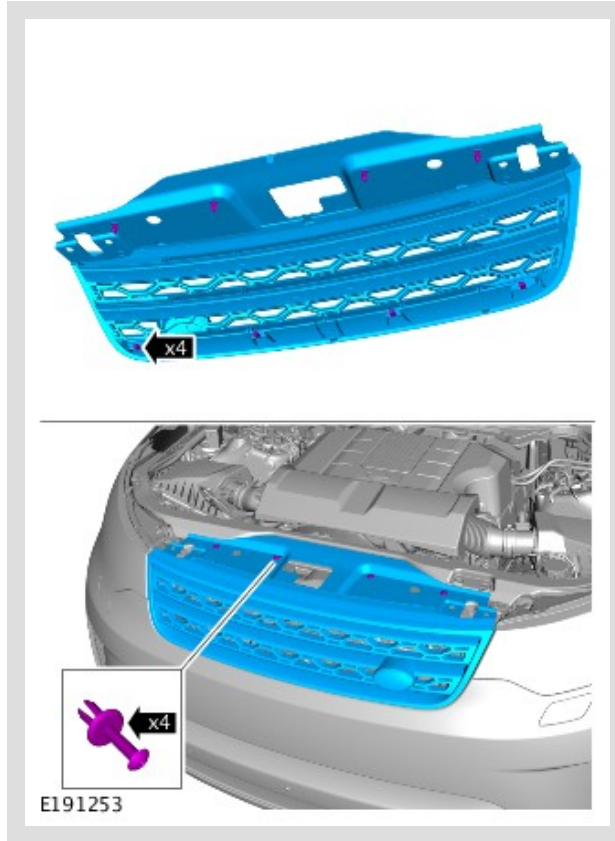
⚠ CAUTION:

Be prepared to collect escaping fluids.



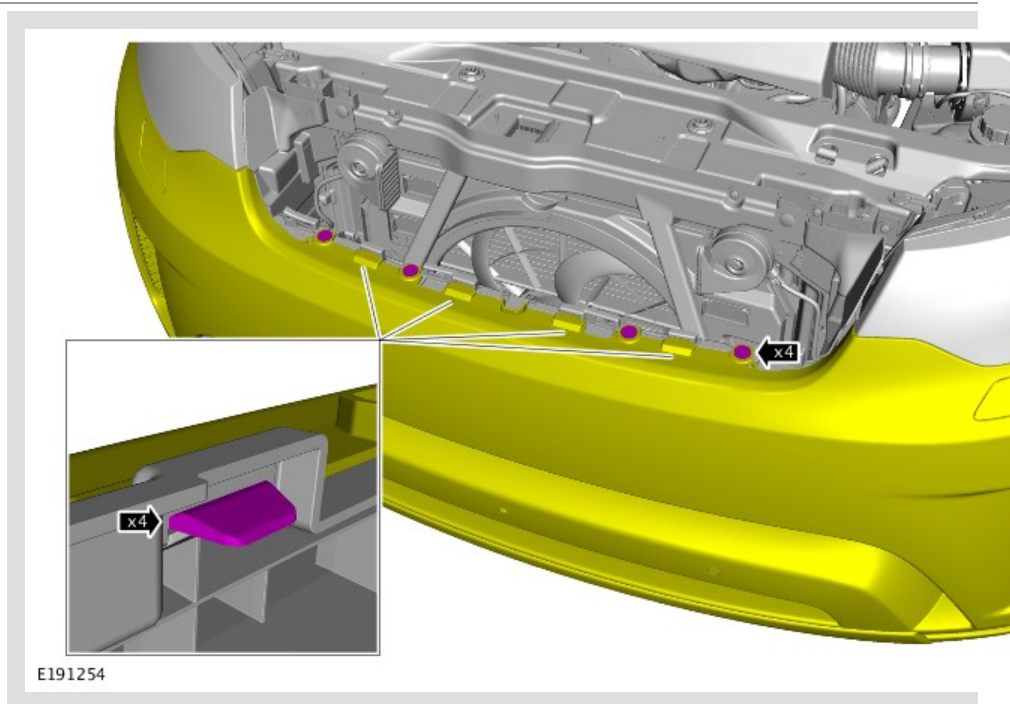
Disconnect the washer jet hoses.

8.




Remove the radiator grille.

9.

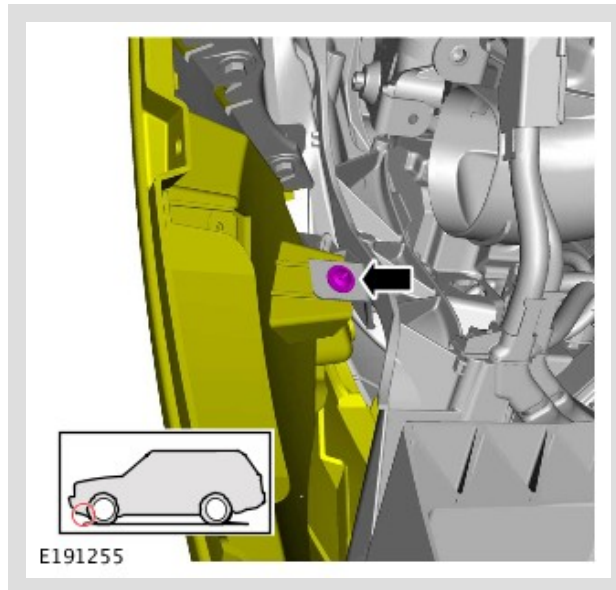


Position the upper side of the bumper cover to one side.

10.

 NOTE:

Repeat the step for the other side.



- Position the outside of the bumper cover to one side.
Torque: 10 Nm
-