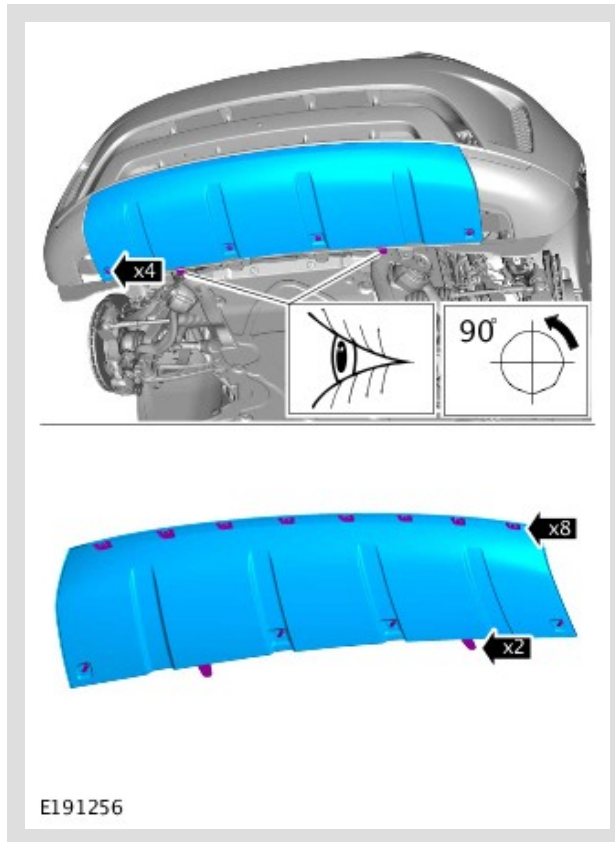
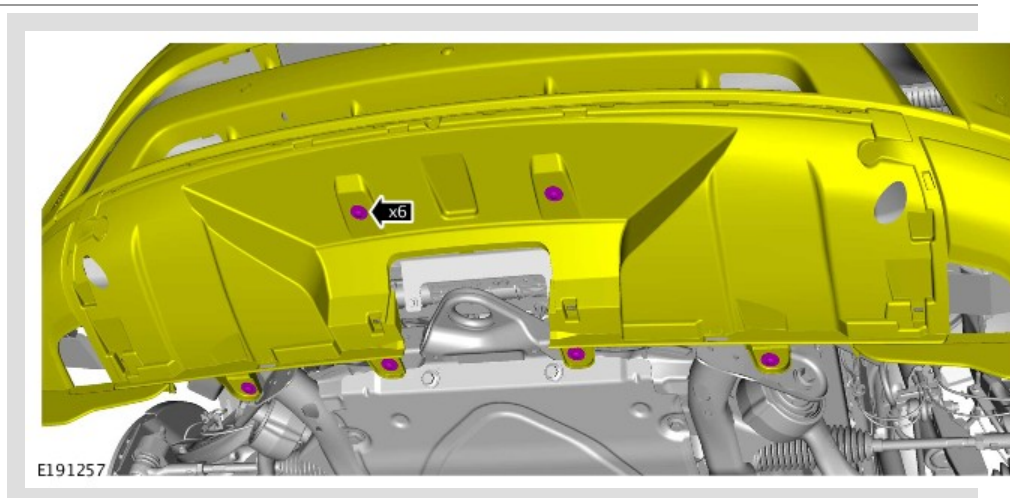


11.



Remove the front towing eye cover.

12.

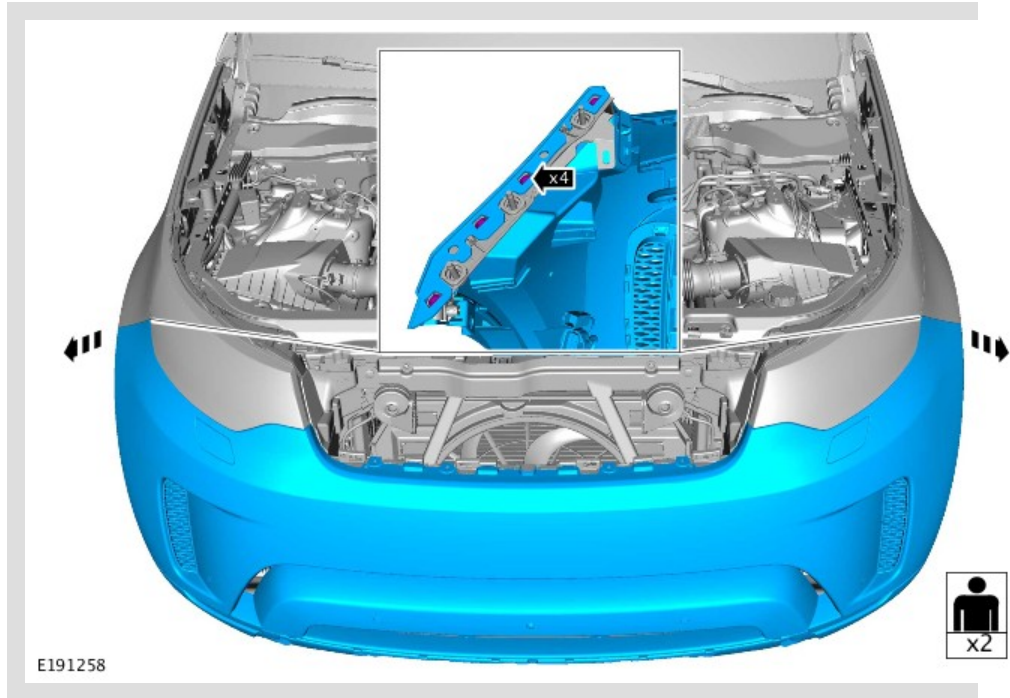


- Remove the front bumper cover lower fixings.
Torque: 10 Nm


13.

⚠ CAUTION:

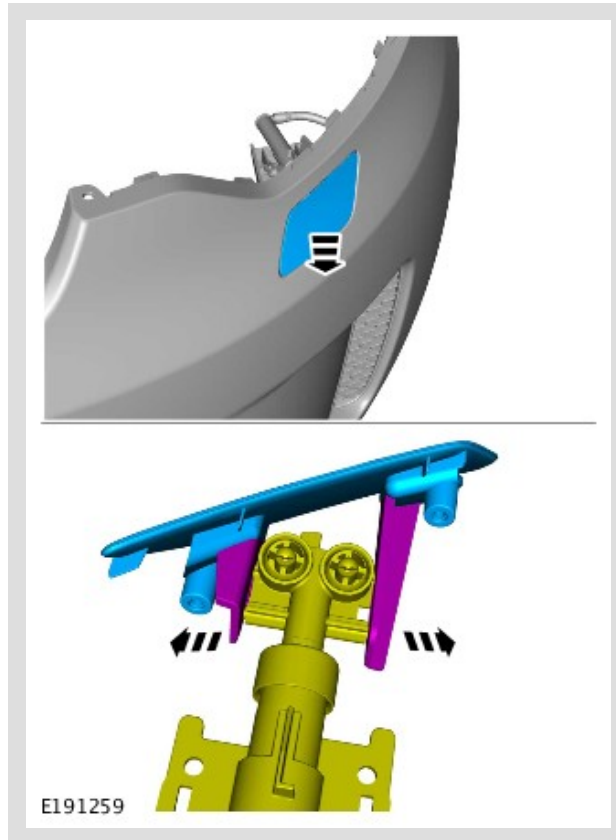
Protect the surrounding paintwork to avoid damage.



Remove the front bumper.


 NOTE:

- Do not disassemble further if the component is removed for access only.
- Repeat the step for the other side.

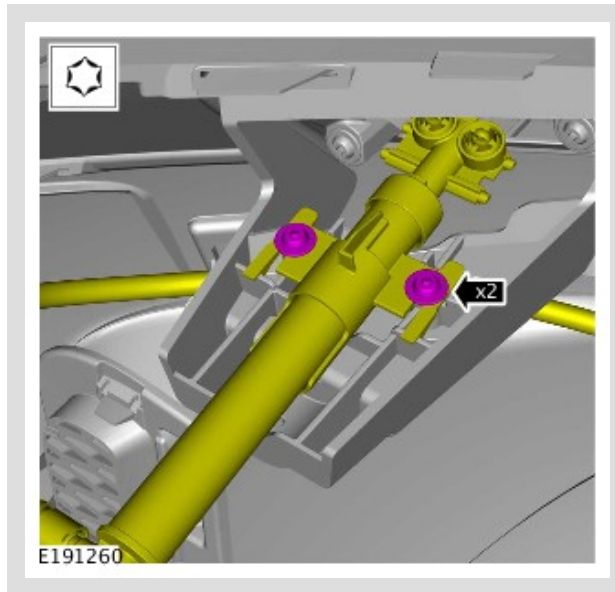


Remove the washer jet cover.

15.

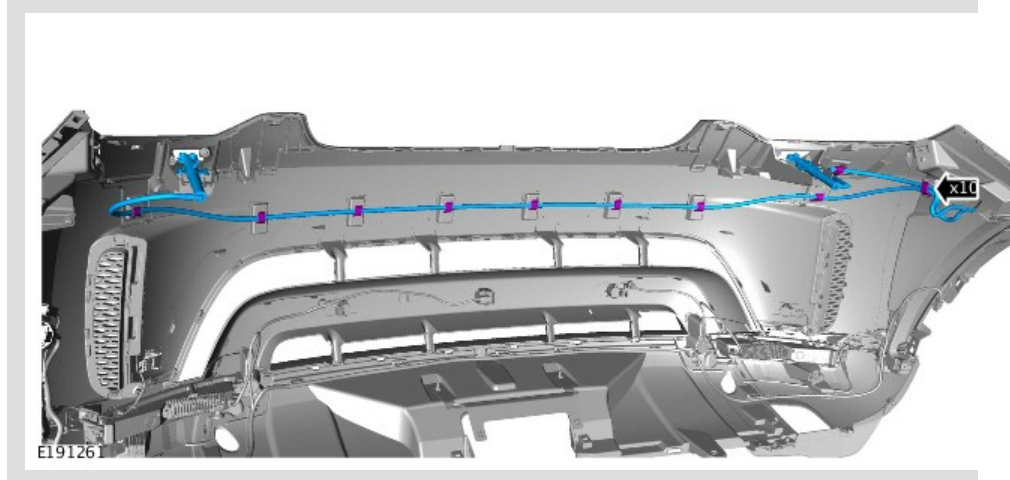
 NOTE:

Repeat the step for the other side.



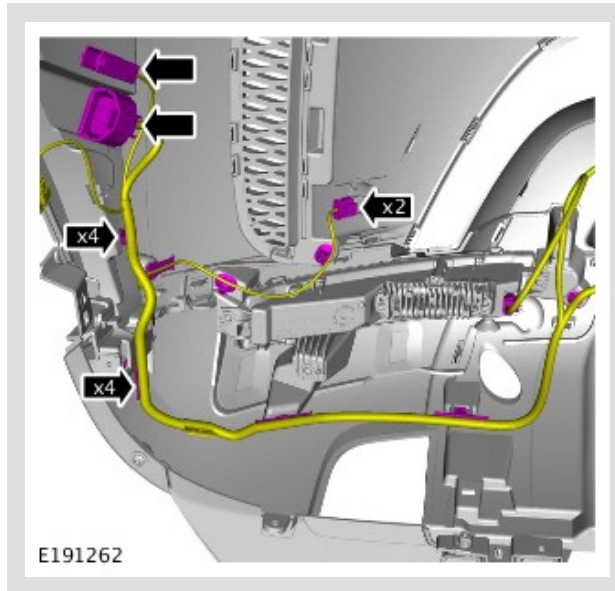
Release the washer jet assembly.

16.



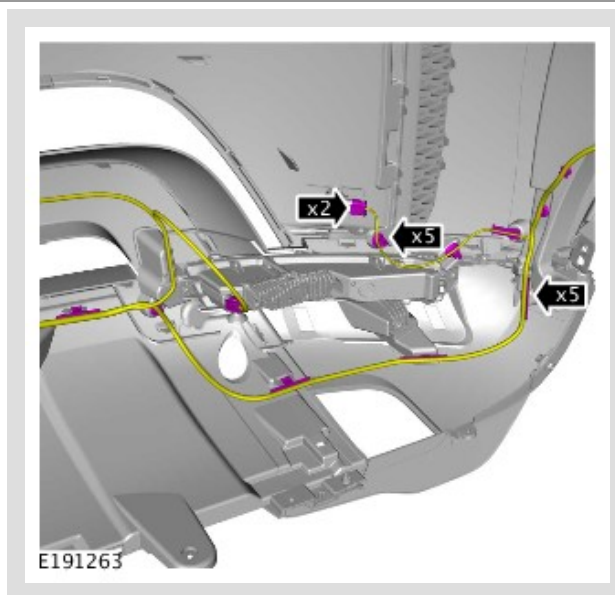
Remove the washer jet assembly.

17.



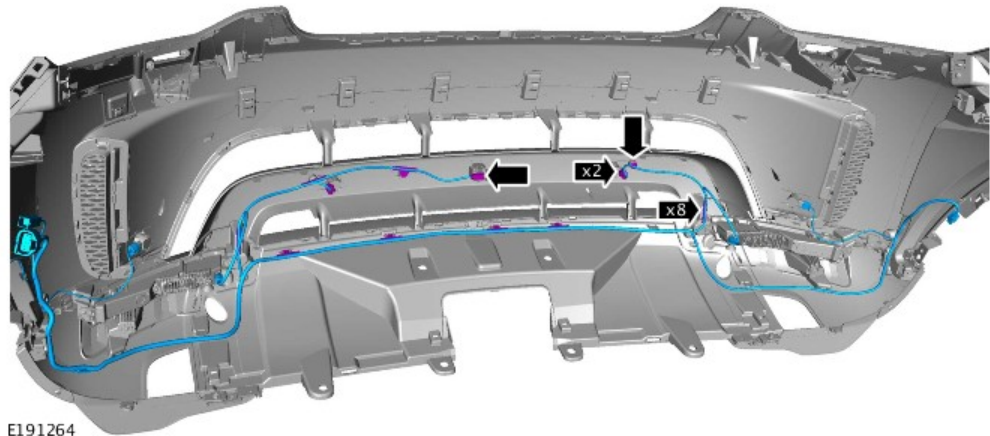
Position the left side of the front bumper harness to one side.

18.



Position the right side of the front bumper harness to one side.

19.

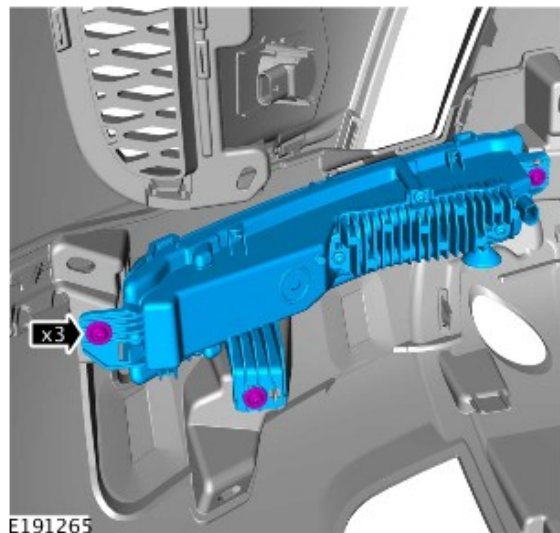


Remove the bumper harness.

20.

△ NOTE:

Repeat the step for the other side.



- Remove the front fog lamp.
Torque: 2 Nm

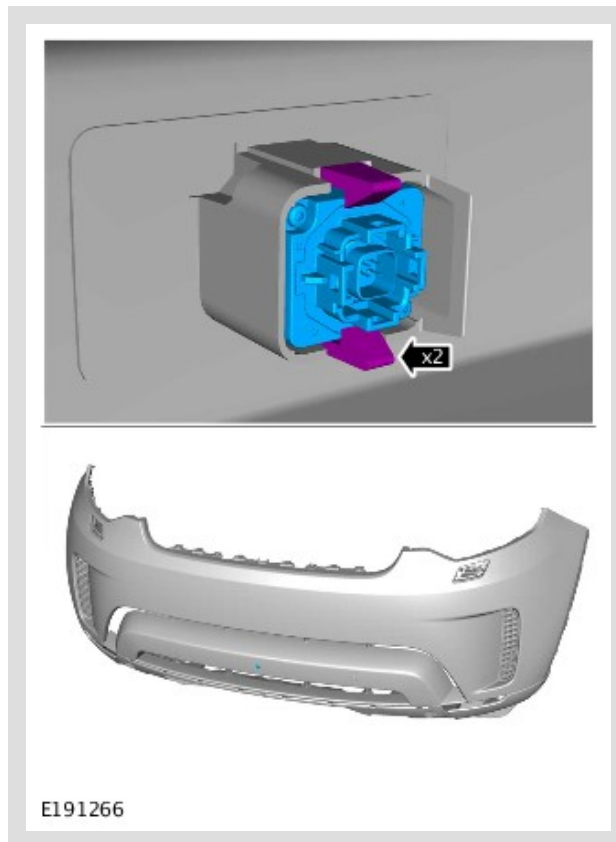
21.

⚠ CAUTION:

Make sure that the component is correctly located on the locating dowels.

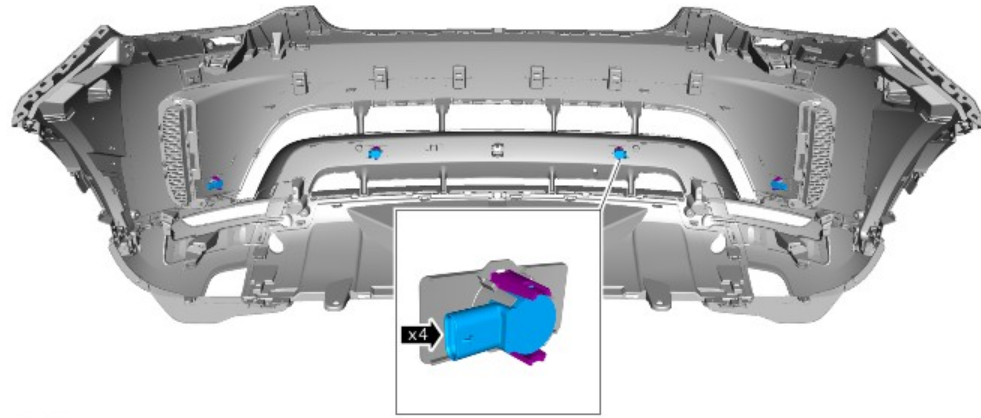
△ NOTE:

Note the orientation of the component prior to removal.



Remove the parking aid camera.

22.



E191267

Remove the parking aid sensors.

INSTALLATION

1. To install, reverse the removal procedure.