

PUBLISHED: 20-MAR-2017
2017.0 DISCOVERY (LR), 303-14A

ELECTRONIC ENGINE CONTROLS - TDV6 3.0L DIESEL

ENGINE COOLANT TEMPERATURE SENSOR

[G1947772]

REMOVAL AND INSTALLATION

18.30.10	ENGINE COOLING TEMPERATURE SENSOR - RENEW	3000 CC, TDV6	0.30	USED WITHINS	+
----------	-------------------------------------------------------	------------------	------	--------------	---

REMOVAL

WARNING:

Make sure the vehicle cooling system is cool prior to carrying out this procedure.

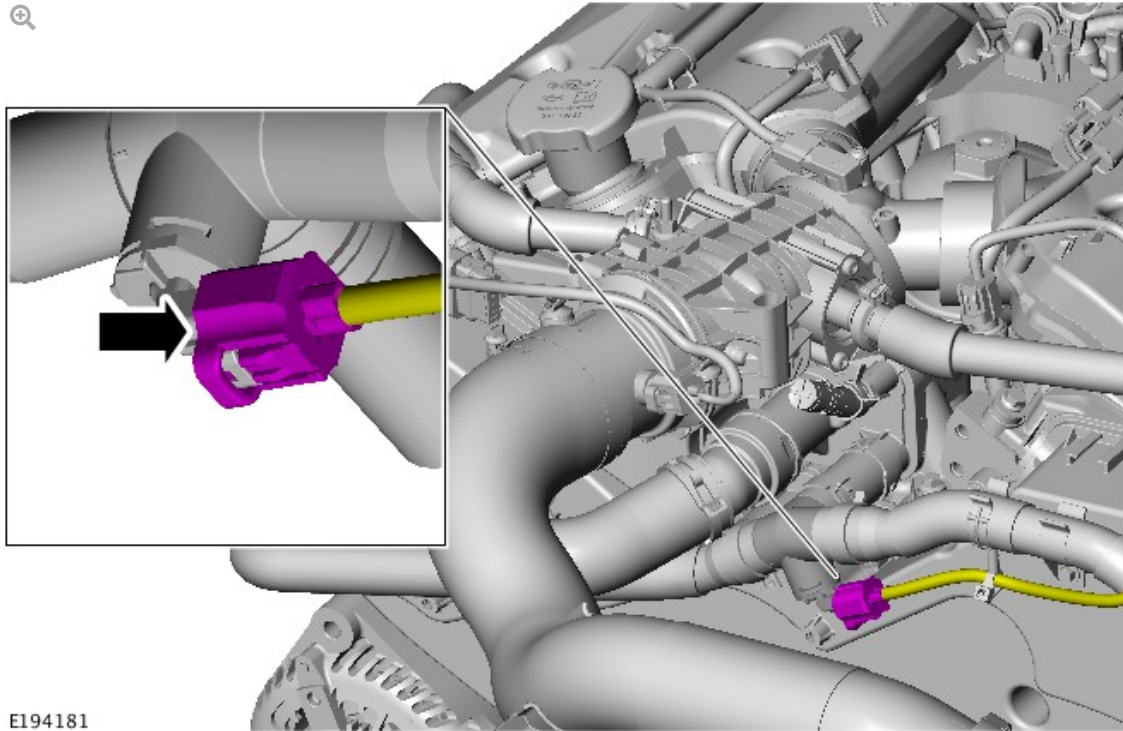
NOTES:

- This procedure contains some variation in the illustration depending on the vehicle specification, but essential information is always correct.
- This procedure contains illustrations showing certain components removed to provide extra clarity.

1. Raise and support the vehicle on a suitable 2 post lift.
Refer to: [Jacking and Lifting](#) (100-02 Jacking and Lifting, Description and Operation).
2. Disconnect the battery ground cable.
Refer to: [Specifications](#) (414-00 Battery and Charging System - General Information, Specifications).
3. Drain the cooling system.
Refer to: [Cooling System Partial Draining and Vacuum Filling](#) (303-03A Engine Cooling - TDV6 3.0L Diesel, General Procedures).

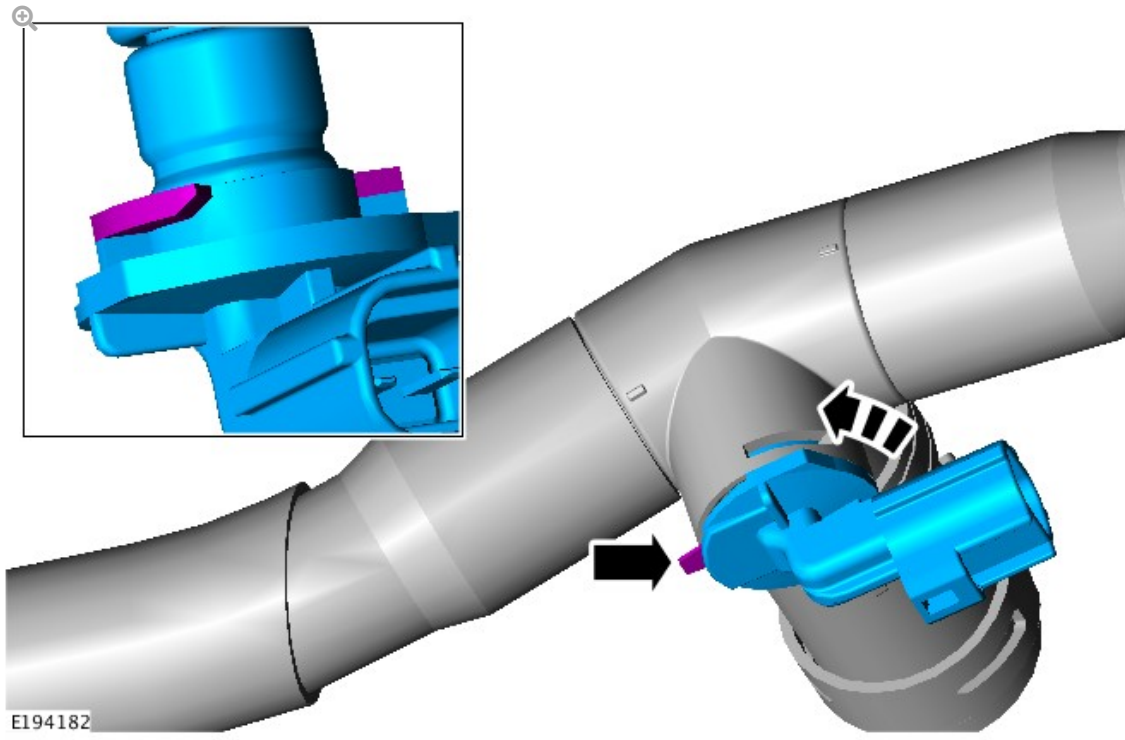
-
4. Remove the accessory drive belt.
Refer to: [Accessory Drive Belt](#) (303-05A Accessory Drive - TDV6 3.0L Diesel, Removal and Installation).
-

- 5.



6.

CAUTION:
Be prepared to collect escaping coolant.



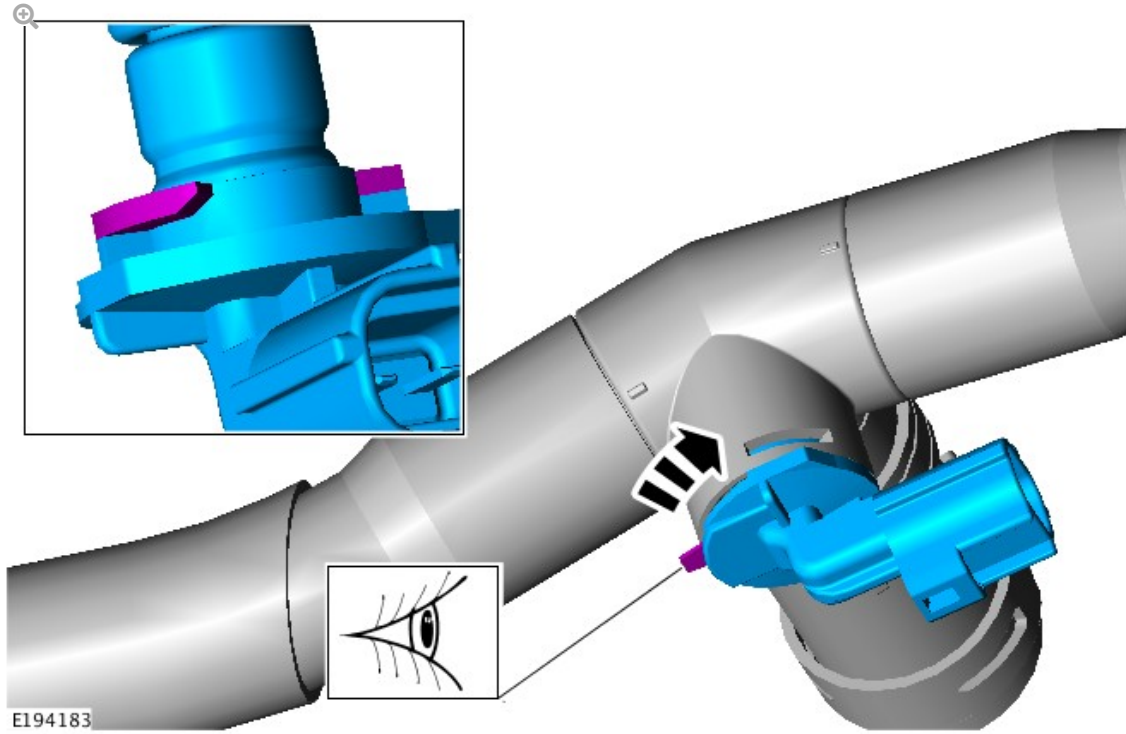
Release the locking tang.

INSTALLATION

1.

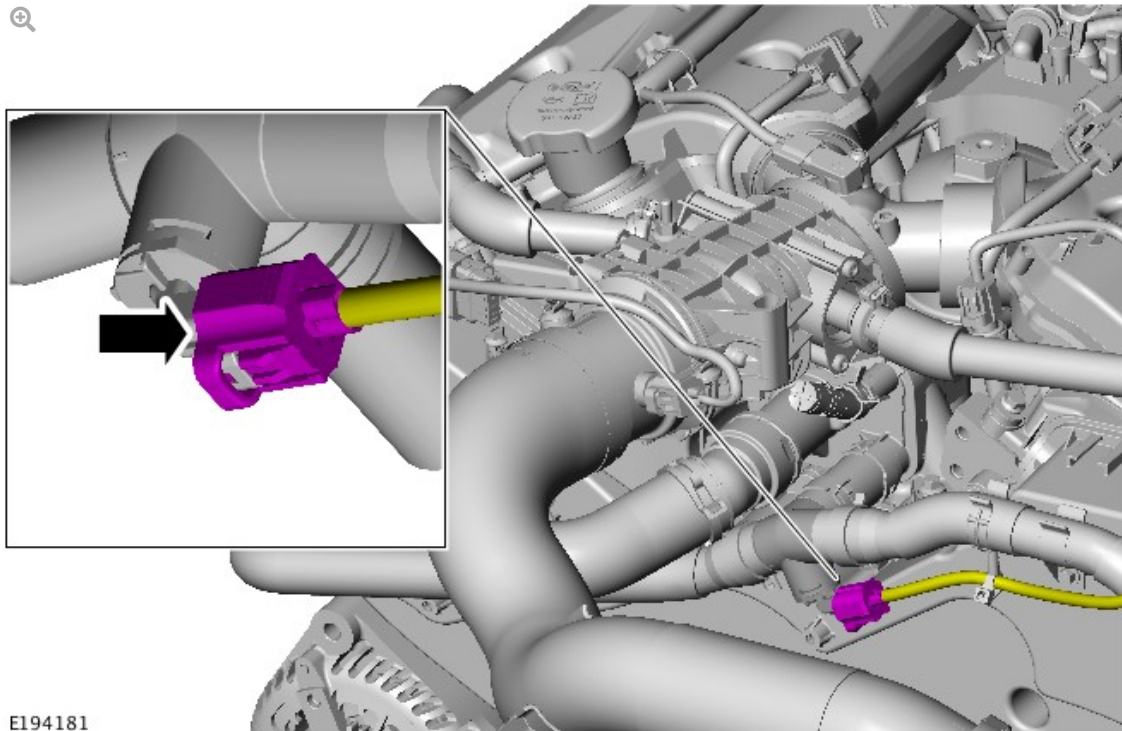
CAUTION:

Make sure that the area around the component is clean and free of foreign material.



Make sure that the component is correctly located.

2.



3. Install the accessory drive belt.
Refer to: [Accessory Drive Belt](#) (303-05A Accessory Drive - TDV6 3.0L Diesel, Removal and Installation).
4. Connect the battery ground cable.
Refer to: [Specifications](#) (414-00 Battery and Charging System - General Information, Specifications).
5. Fill the cooling system.
Refer to: [Cooling System Partial Draining and Vacuum Filling](#) (303-03A Engine Cooling - TDV6 3.0L Diesel, General Procedures).