

PUBLISHED: 13-AUG-2020  
2017.0 DISCOVERY (LR), 309-00A

EXHAUST SYSTEM - TDV6 3.0L DIESEL



# DIESEL PARTICULATE FILTER – VEHICLES WITH: DIESEL EXHAUST FLUID (G1889531)

## REMOVAL AND INSTALLATION

---

17.50.20	DIESEL PARTICULATE FILTER (DPF) - RENEW	3000 CC, TDV6, SINGLE TURBOCHARGER FITTED, WITH PARTICULATE FILTER, WITH DIESEL EXHAUST FLUID	1.20	USED WITHINS	+
----------	---	---	------	--------------	---



SPECIAL TOOL(S)

E130266

## 100-051

Cutter, Exhaust Pipe

E53465

## 310-121

Wrench, H02S

GENERAL EQUIPMENT

EQUIPMENT NAME

Jaguar Land Rover approved diagnostic equipment

PART(S)

STEP	PART NAME	QUANTITY
Installation Step 5	Diesel Particulate Filter (DPF) to exhaust gasket	1
Installation Step 6	Diesel Particulate Filter (DPF) to exhaust gasket	1
Installation Step 7	EGR pipe to DPF clamp	1
Installation Step 7	EGR pipe to DPF gasket	1

---

## REMOVAL

**WARNING:**

Observe due care when working near a hot exhaust system.

**CAUTION:**

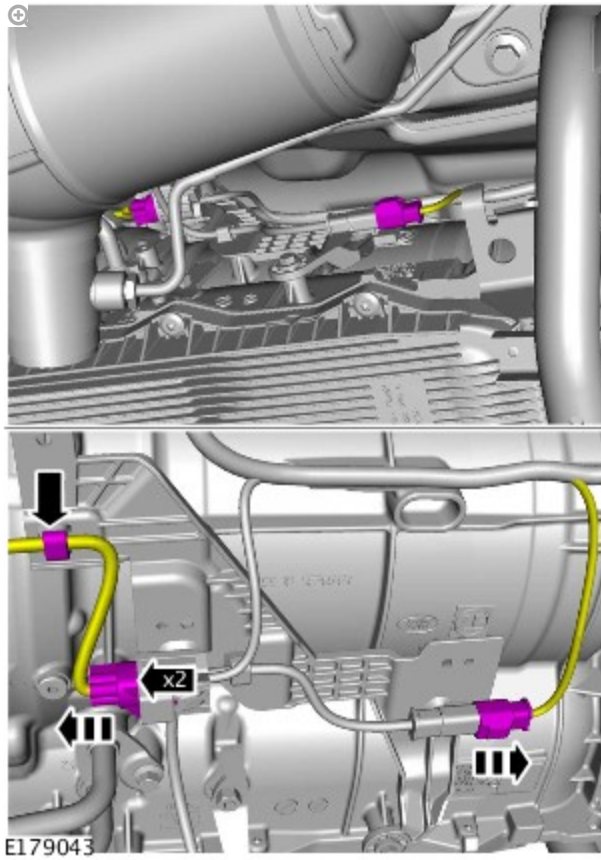
If the Selective Catalyst Reduction (SCR) catalytic converter has previously been replaced, then the complete SCR catalytic converter and Diesel Particulate Filter (DPF) assembly should be replaced.

**NOTES:**

- This procedure contains some variation in the illustrations depending on the vehicle specification, but the essential information is always correct.
- This procedure contains illustrations showing certain components removed to provide extra clarity.

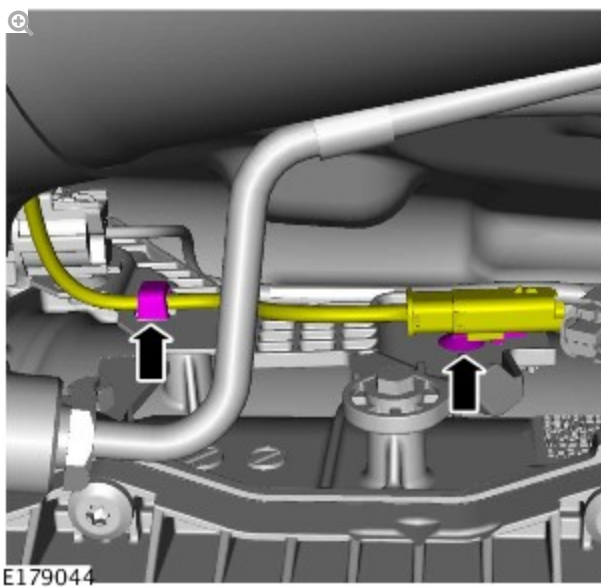
- 
1. Raise and support the vehicle on a suitable 2 post lift.  
Refer to: [Jacking and Lifting](#) (100-02 Jacking and Lifting, Description and Operation).
  2. Remove the front driveshaft.  
Refer to: [Front Driveshaft - TDV6 3.0L Diesel](#) (205-01 Driveshaft, Removal and Installation).
-

3.



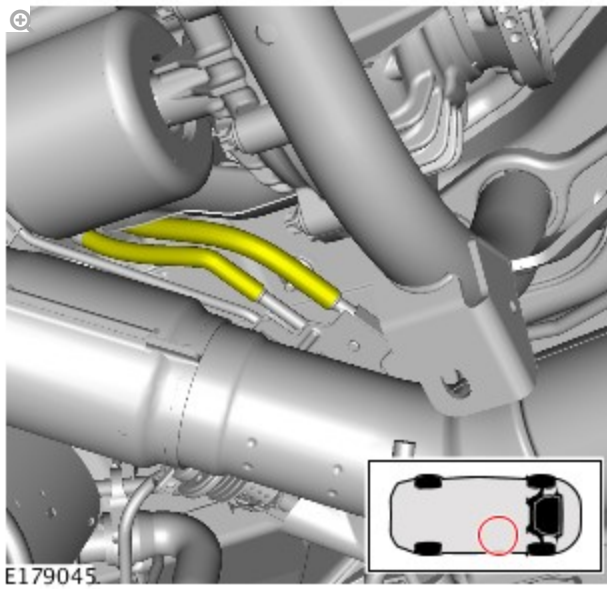
Disconnect the electrical connectors and release the wiring harness.

4.



Release the wiring harness.

5.



Release the pipes.

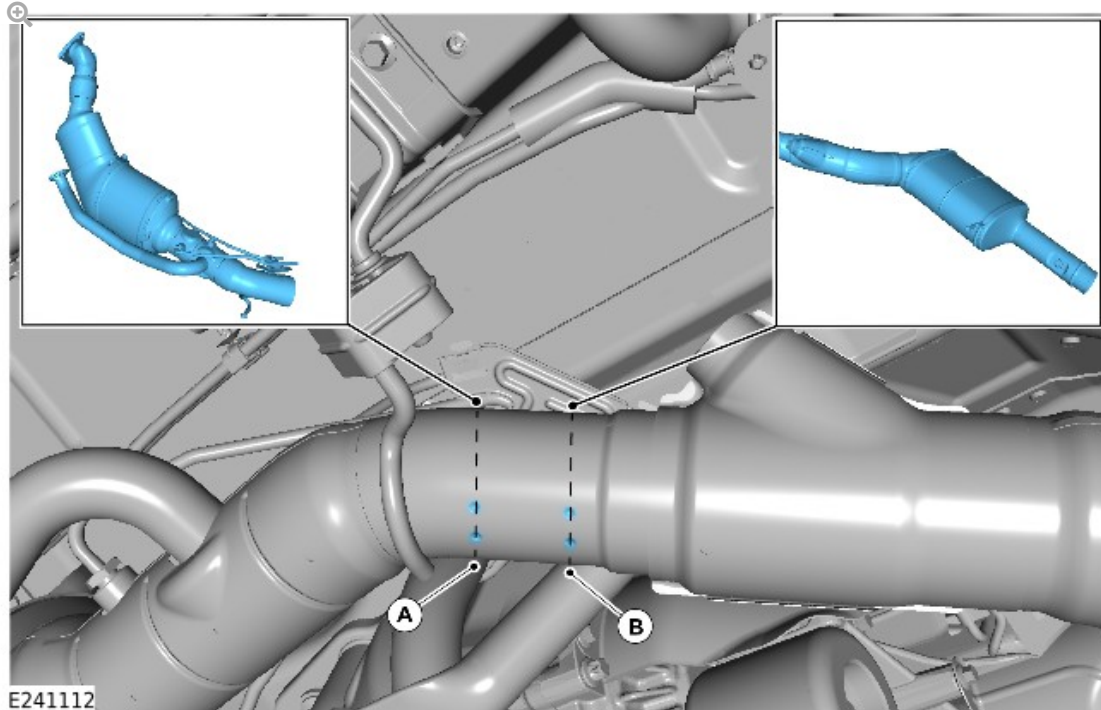
6.

**CAUTION:**

If the SCR catalytic converter has previously been replaced, then the complete exhaust system should be replaced.

**NOTE:**

This step should be used as a reference only.

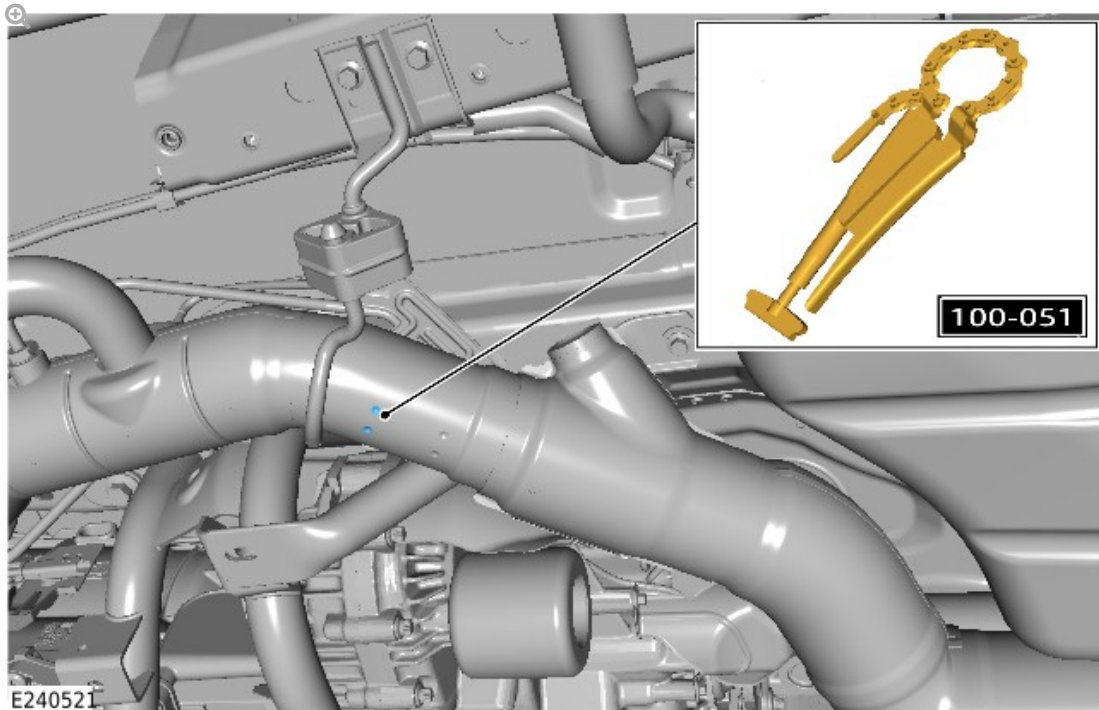


- Illustration E241112 shows the mandatory service cut lines for the exhaust system.
- Cut the exhaust at **A** for DPF replacement.
- Cut the exhaust at **B** for SCR catalytic converter replacement.

7.

**WARNING:**

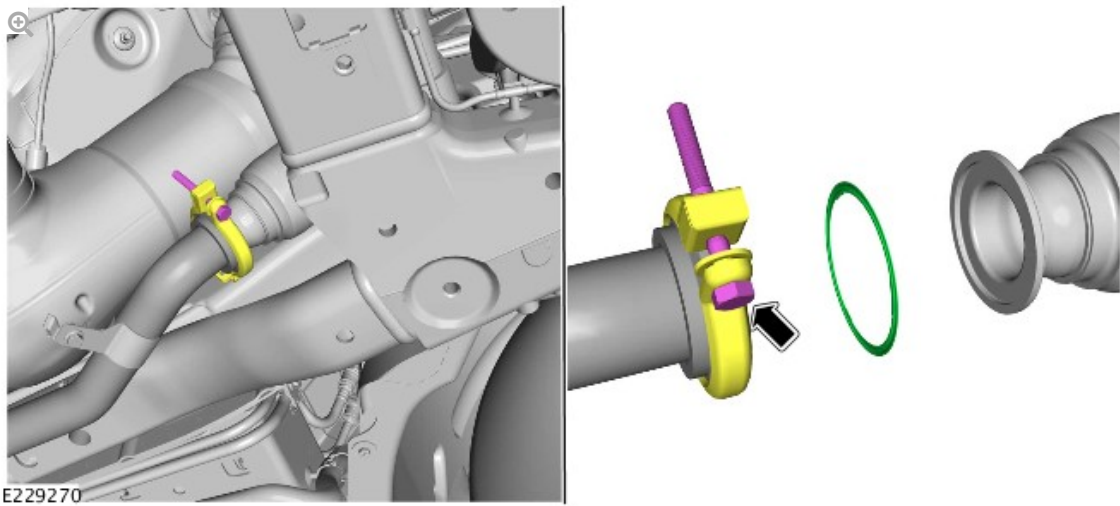
Make sure that the exhaust system is supported.



Using the special tool, cut the DPF in the position shown.

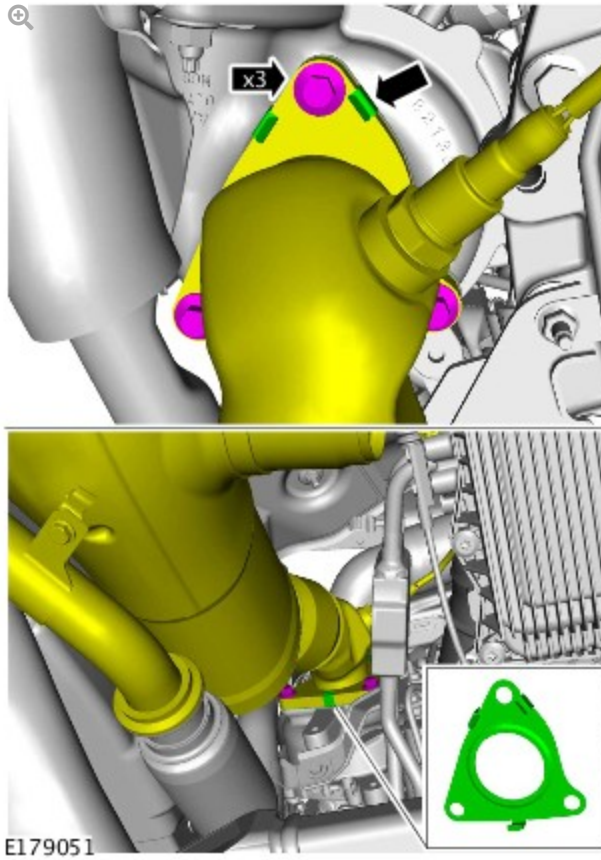
Special Tool(s): [100-051](#)

8.



- Remove and discard the Exhaust Gas Recirculation (EGR) pipe clamp.
- Remove and discard the EGR pipe gasket.
- Release the EGR pipe.

9.

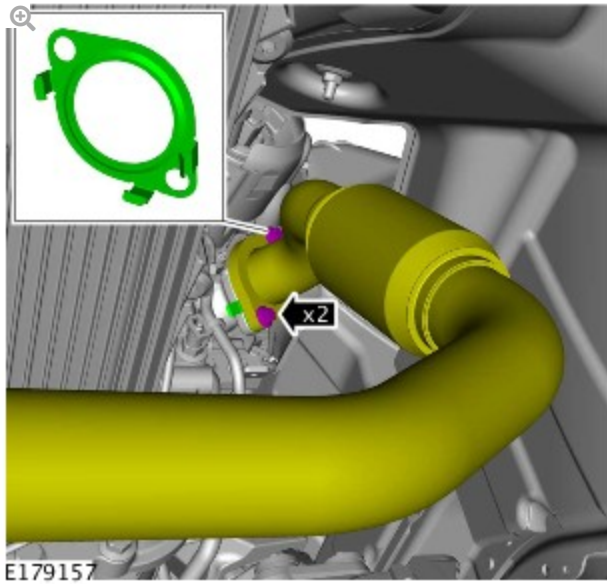


- Remove the 3 bolts.
- Remove and discard the gasket.

10.

**NOTE:**

Vehicles with twin turbocharger system:

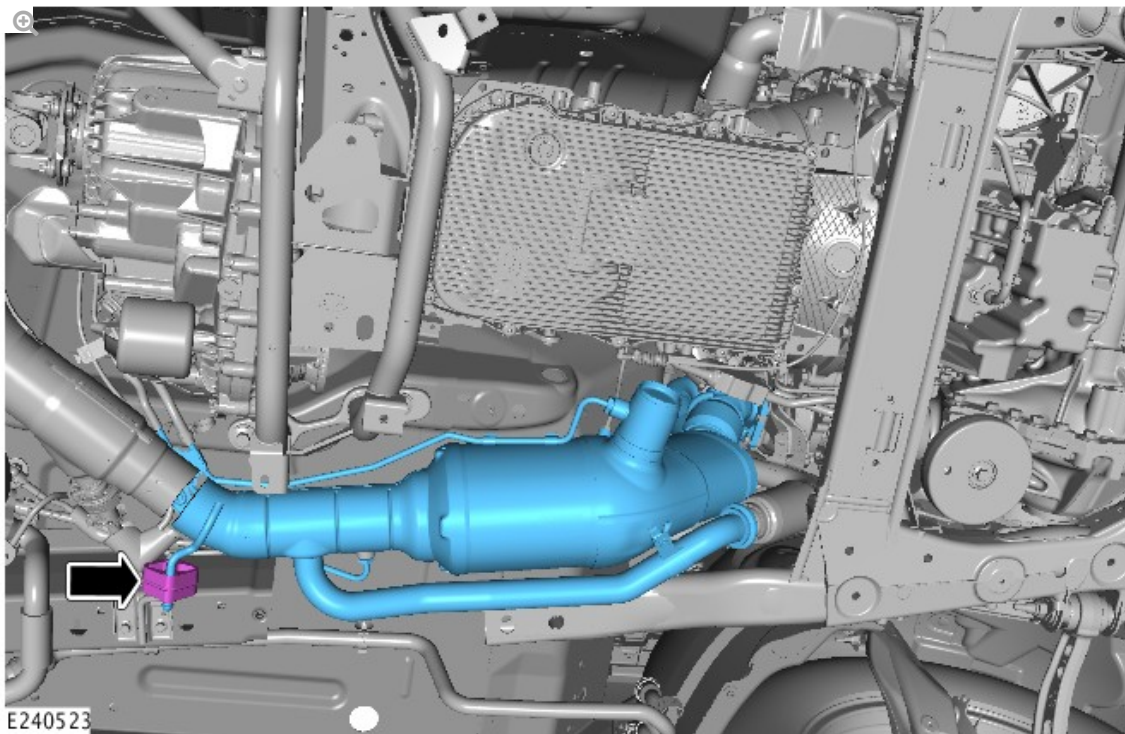


- Remove the 2 bolts.
- Remove and discard the gasket.

11.

**NOTE:**

Vehicles with mono turbocharger system:

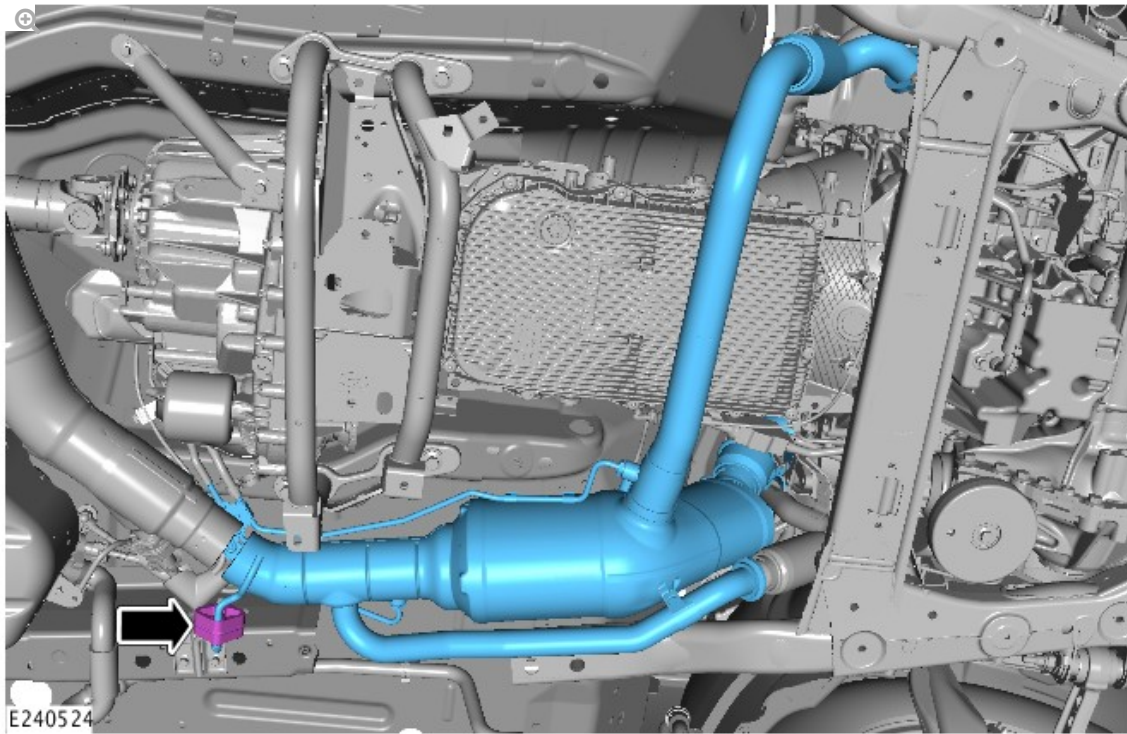


Remove the DPF.

12.

**NOTE:**

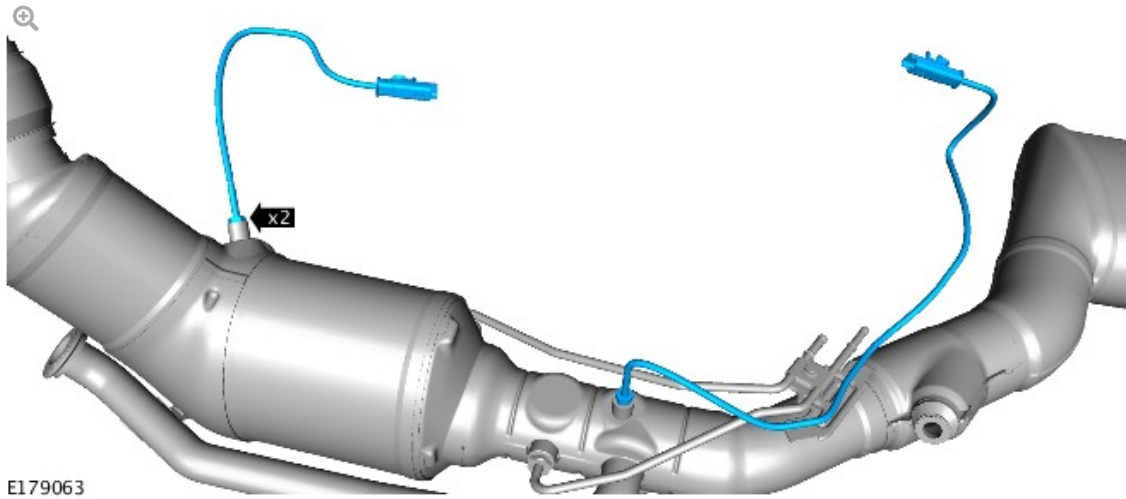
Vehicles with twin turbocharger system:



Remove the DPF.

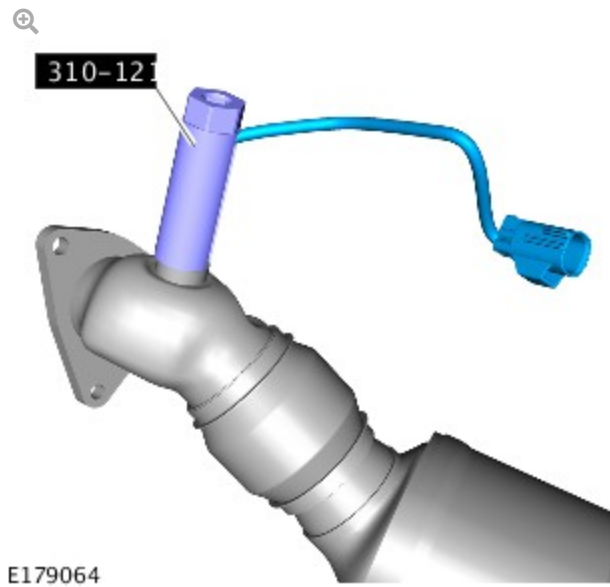
13.

**NOTE:**  
Do not disassemble further if the component is removed for access only.



Remove the 2 exhaust gas temperature sensors.

14.



Remove the Heated Oxygen Sensor (HO2S).

Special Tool(s): [310-121](#)

---

## INSTALLATION

---

1.

**CAUTIONS:**

- If accidentally dropped or knocked install a new sensor.
- Make sure the HO2S wiring harness is not twisted more than 180 degrees and is not in contact with either the exhaust or driveshaft.
- Make sure the anti-seize compound does not contact the HO2S tip.

**NOTE:**

If the original sensor is to be installed, apply lubricant meeting specification ESE-M12A4-A to the thread of the sensor.

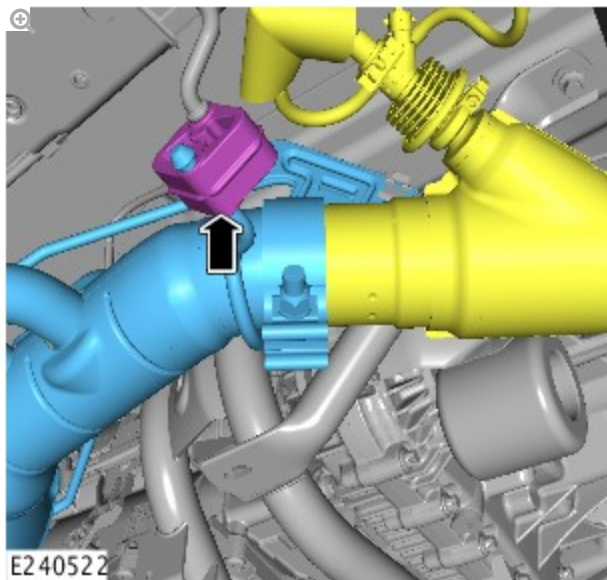
Install and tighten the HO2S.

*Torque: 48Nm*

2. Install and tighten the 2 exhaust gas temperature sensors.

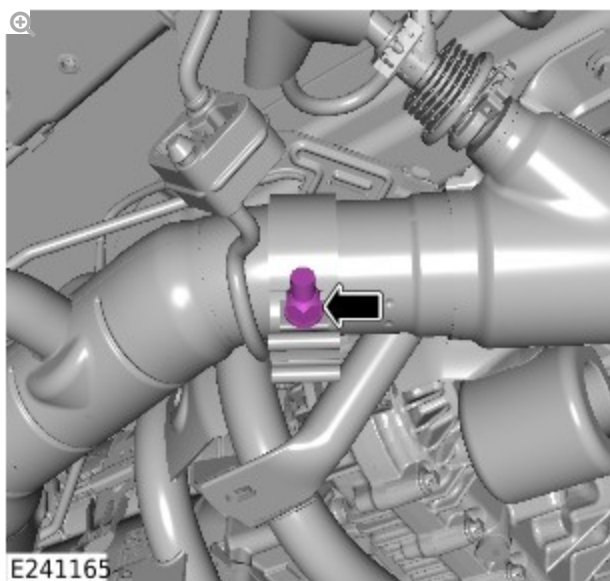
*Torque: 35Nm*

3.



Install the DPF to the SCR catalytic converter.

4.



Tighten the clamp.

*Torque: 55Nm*

5.

**NOTE:**

Vehicles with twin turbocharger system:

- Install a new DPF to turbocharger gasket.  
*Renew Part: [Diesel Particulate Filter \(DPF\) to exhaust gasket](#) Quantity: 1.*
- Install and tighten the 2 bolts.  
*Torque: 28Nm*

6.

- Install a new DPF to turbocharger gasket.  
*Renew Part: [Diesel Particulate Filter \(DPF\) to exhaust gasket](#) Quantity: 1.*
- Install and tighten the 3 bolts.  
*Torque: 28Nm*

7.

- Install a new EGR pipe gasket.  
*Renew Part: [EGR pipe to DPF gasket](#) Quantity: 1.*
- Install the EGR pipe.
- Install a new EGR pipe clamp.  
*Renew Part: [EGR pipe to DPF clamp](#) Quantity: 1.*
- Tighten the bolt.  
*Torque: 9Nm*

---

8. Install the pipes.

---

9. Connect the electrical connectors and secure the wiring harness.

---

10. Install the front driveshaft.

Refer to: [Front Driveshaft - TDV6 3.0L Diesel](#) (205-01 Driveshaft, Removal and Installation).

---

11. If a new DPF is installed. Using the Jaguar Land Rover (JLR) approved diagnostic equipment, complete DPF replacement application.

*General Equipment:* [Jaguar Land Rover approved diagnostic equipment](#)