

INTERIOR TRIM AND ORNAMENTATION

FRONT DOOR TRIM PANEL (G1972058)

REMOVAL AND INSTALLATION

PART(S)

STEP	PART NAME	QUANTITY
Removal Step 6	Interior door trim clips	10
Removal Step 7	Retaining clip(s)	1

REMOVAL

NOTES:

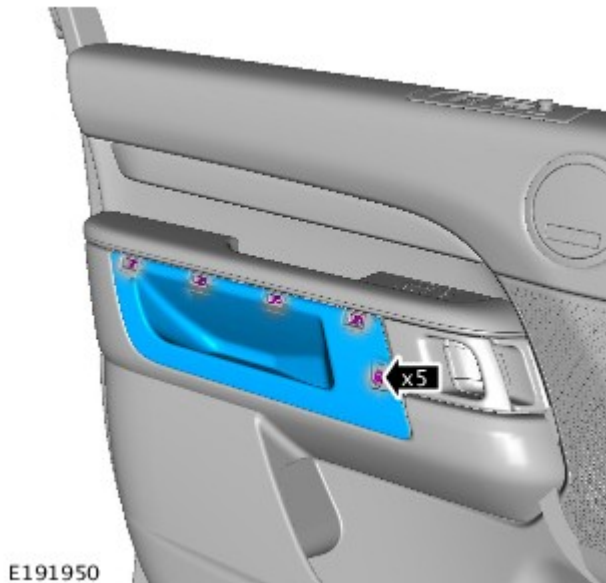
- Removal steps in this procedure may contain installation details.
- Some variation in the illustrations may occur, but the essential information is always correct.

-
1. Disconnect the battery ground cable.
Refer to: [Specifications](#) (414-00 Battery and Charging System - General Information, Specifications).
-

2.

CAUTION:

Make sure only a suitable plastic tool is used.



Remove the door pocket finisher.

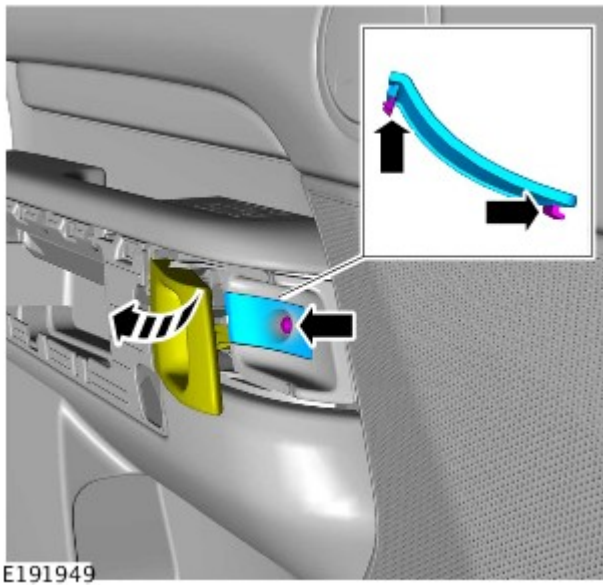
3.



Remove front door trim panel retaining screws.

Torque: 1.5Nm

4.



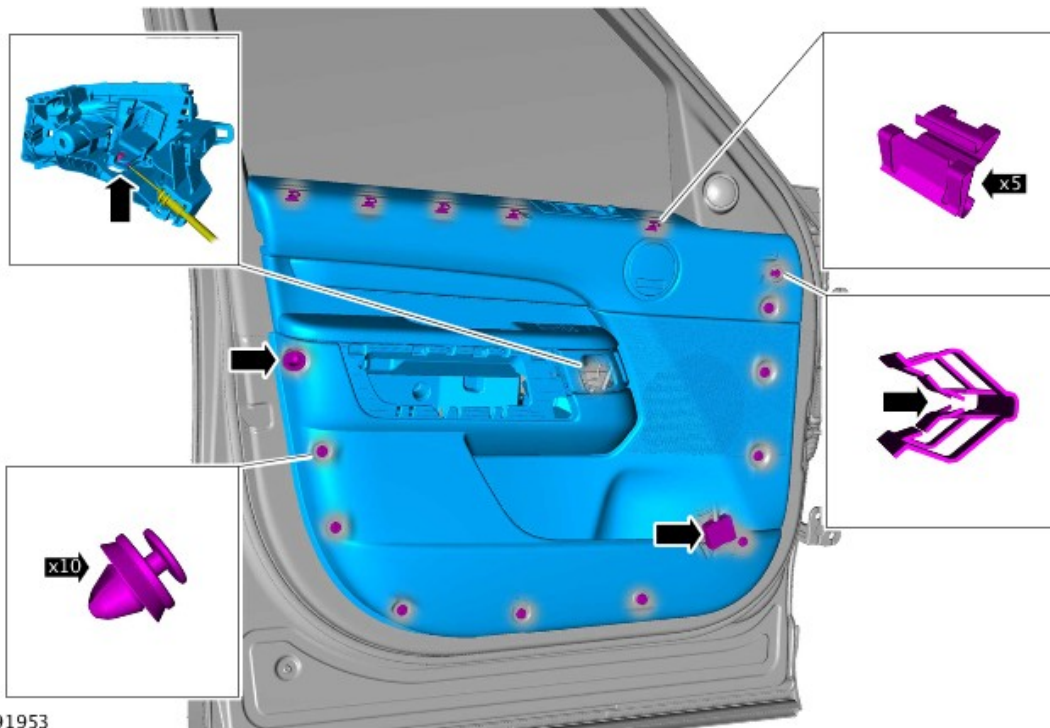
- Remove the screw.
Torque: 1.5Nm

5.



- Remove front door trim panel end cap for access to securing screw.
Torque: 1.5Nm

6.



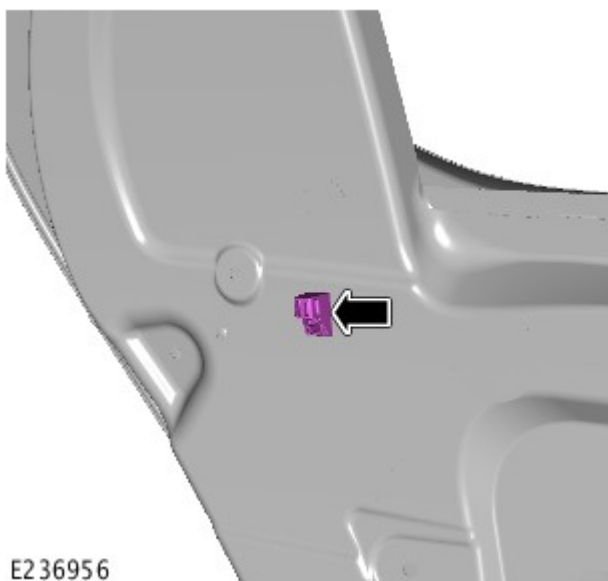
E191953

- Remove the front door trim panel.
- Remove and discard the 10 clips.
Renew Part: [Interior door trim clips](#) Quantity: 10.

7.

CAUTION:

Install a new clip.



E236956

- Remove and discard the door trim panel clip.
Renew Part: [Retaining clip\(s\)](#) Quantity: 1.

8.

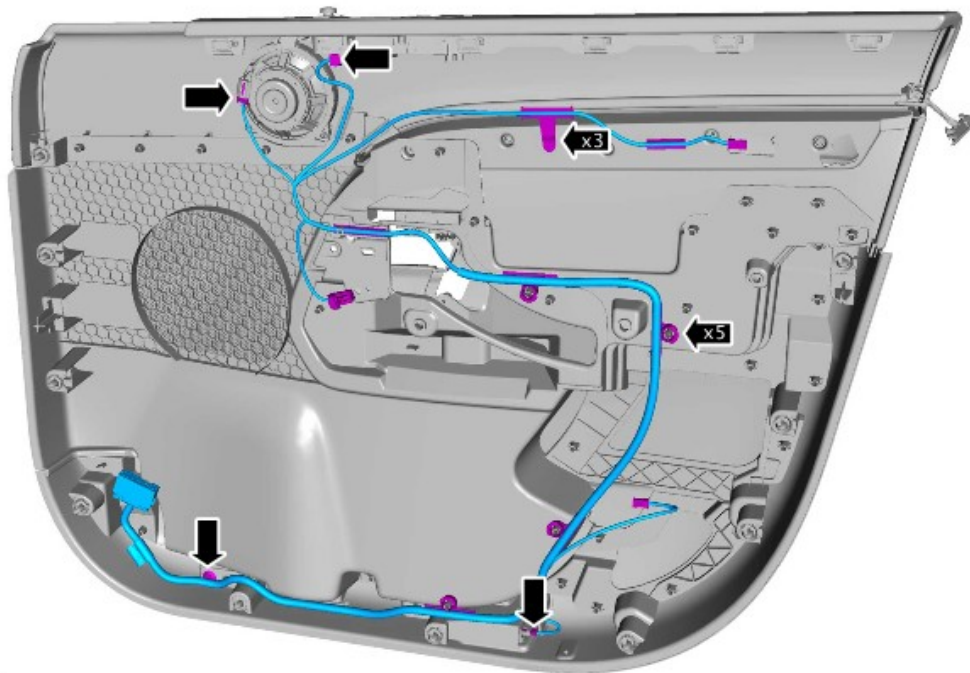
NOTE:

Do not disassemble further if the component is removed for access only.



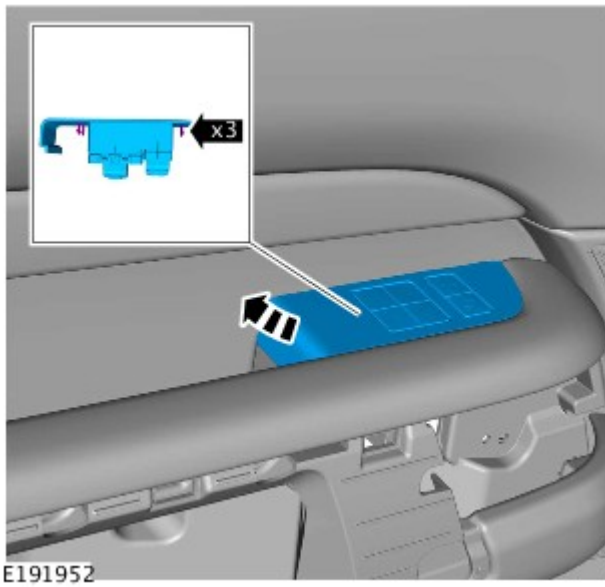
- Remove the screw.
Torque: 1.5Nm

9.



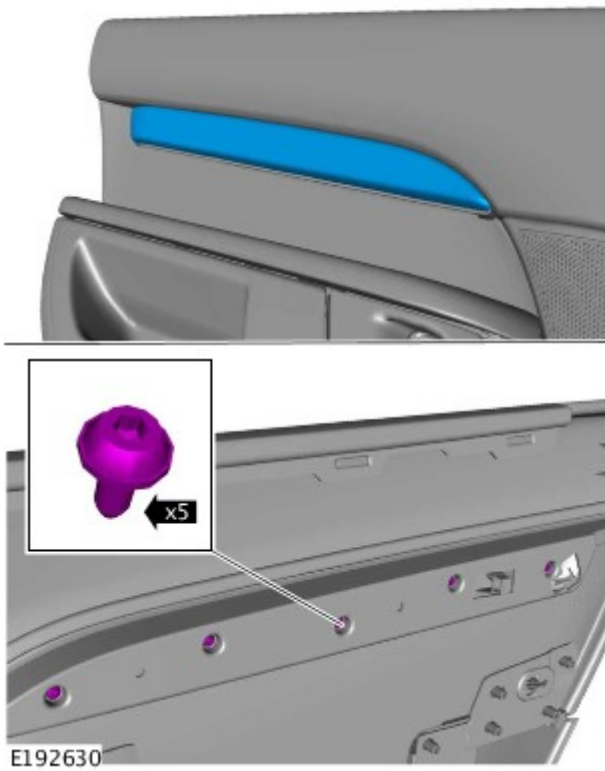
Remove the wiring harness.

10.



- Remove the window control switch panel.

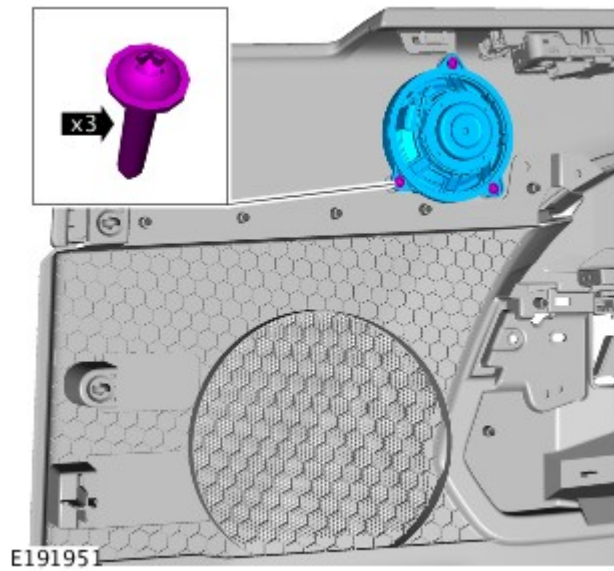
11.



Remove the door veneer panel.

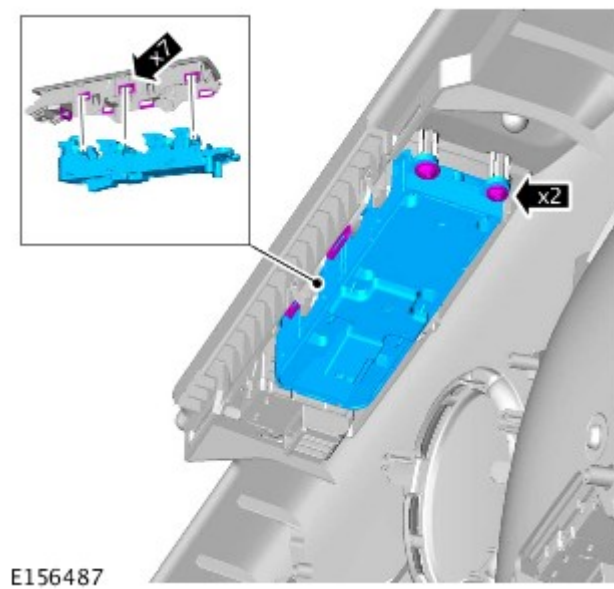
Torque: 12Nm

12.



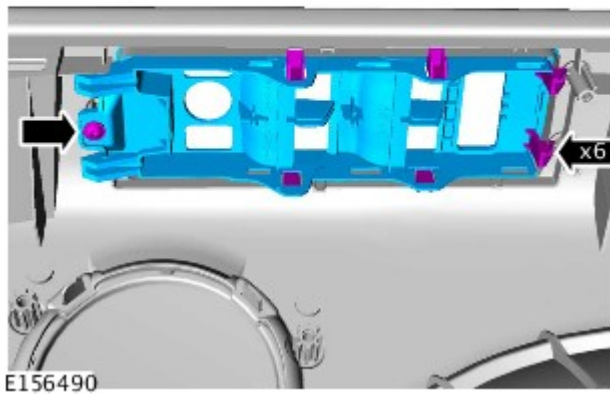
- Remove the speaker.
Torque: 1.5Nm

13.



Remove the window control switch.
Torque: 2Nm

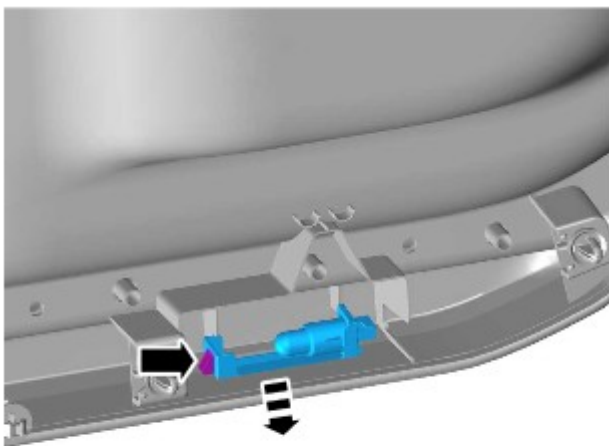
14.



Remove the bezel.

Torque: 1.5Nm

15.



- Remove the ambience lighting guide from the interior door panel.

INSTALLATION

1.

NOTES:

- Install new interior door trim clips.
- Install new retaining clips.

To install, reverse the removal procedure.