

BUMPERS

FRONT BUMPER (G1972114)

REMOVAL AND INSTALLATION

REMOVAL

NOTE:

- Removal steps in this procedure may contain installation details.
- Some variation in the illustrations may occur, but the essential information is always correct.

1.

WARNING:

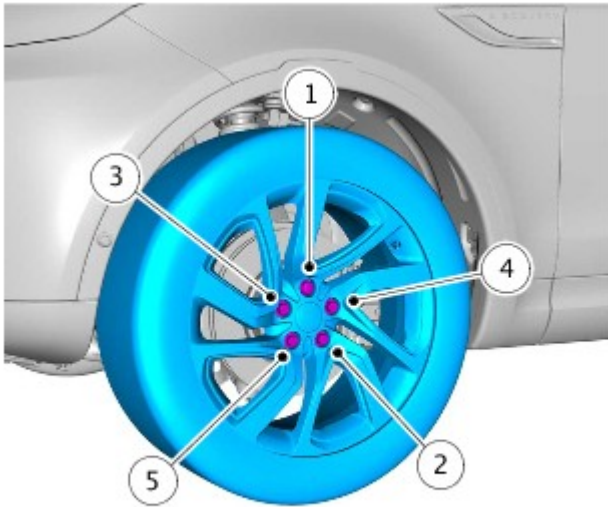
Make sure to support the vehicle with axle stands.

Raise and support the vehicle.

2.

NOTE:

Repeat the step for the other side.



E191505

- Remove the front wheel and tire.

Torque

Stage 1: **40Nm**

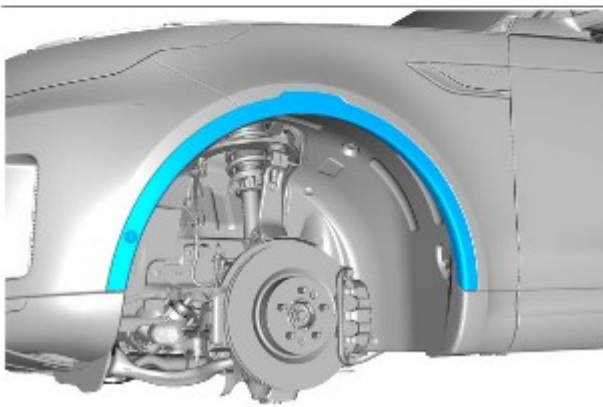
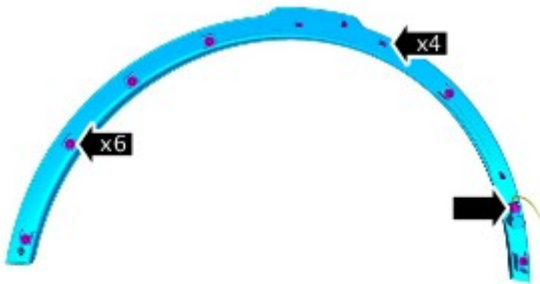
Stage 2: **70Nm**

Stage 3: **133Nm**

3.

NOTE:

Repeat the step for the other side.



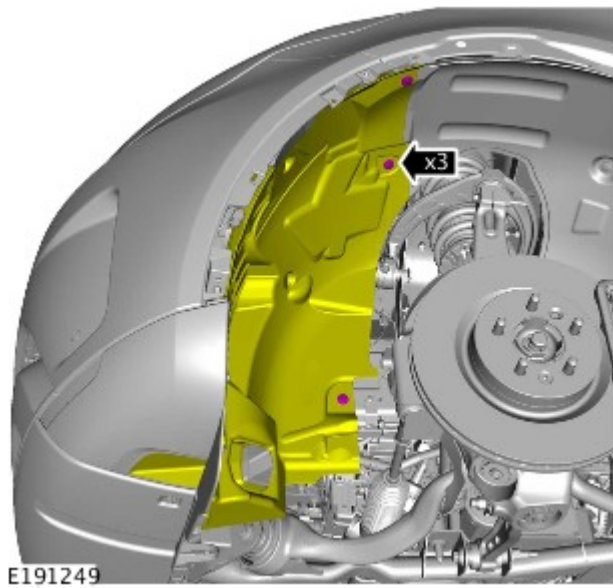
E191248

- Disconnect the electrical connector.
 - Remove the front fender trim panel.
-

4.

NOTE:

Repeat the step for the other side.

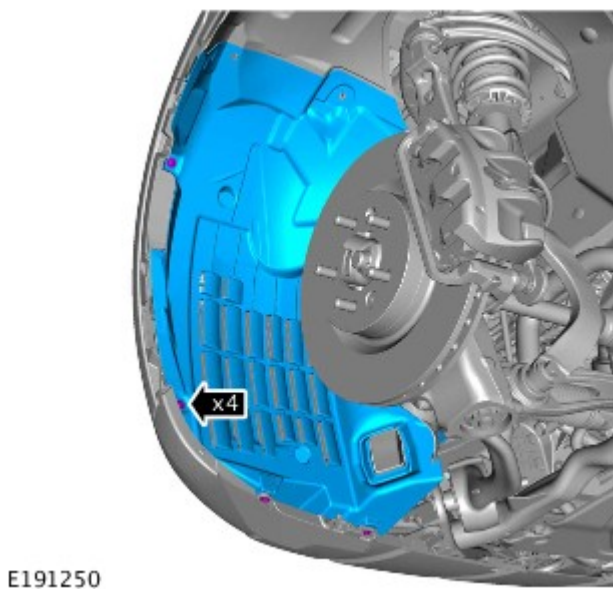


Release the front section of the wheel arch liner.

5.

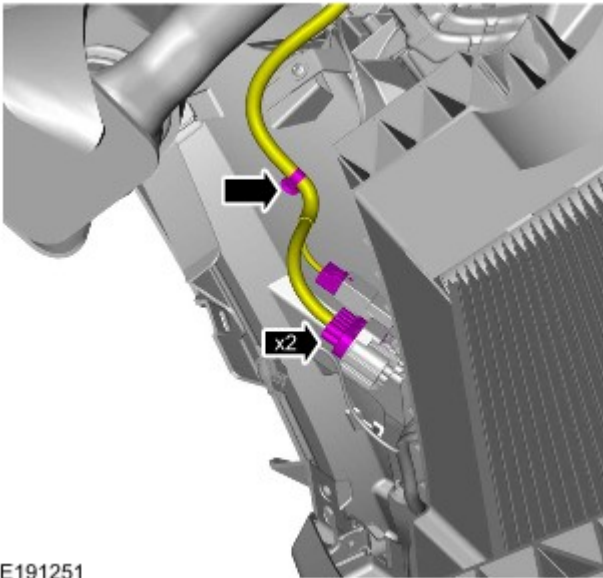
NOTE:

Repeat the step for the other side.



Remove the forward section of the front wheel arch liner.

6.

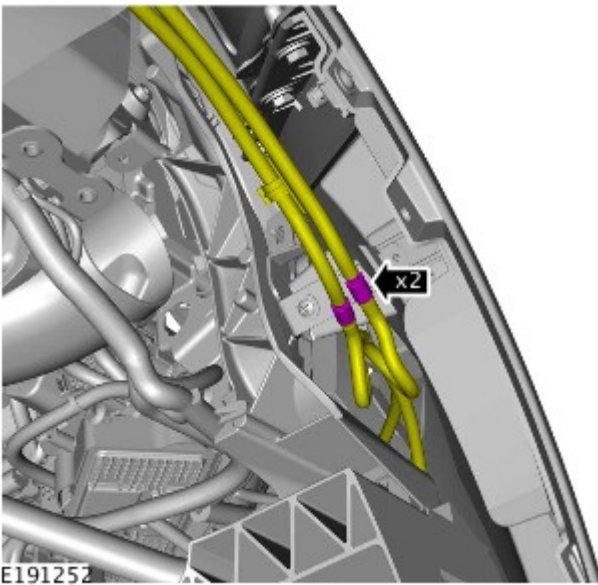


Disconnect the front bumper wiring harness electrical connector.

7.

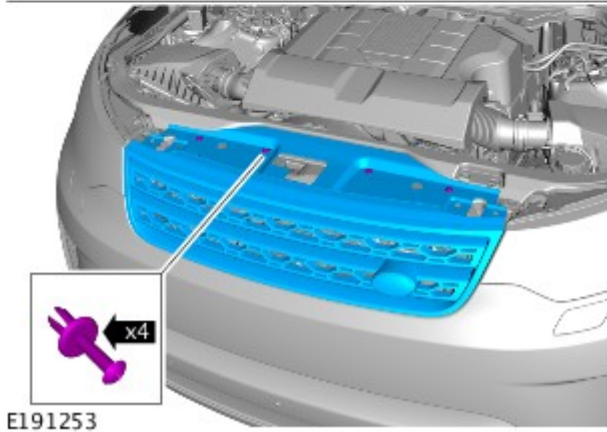
CAUTION:

Be prepared to collect escaping fluids.



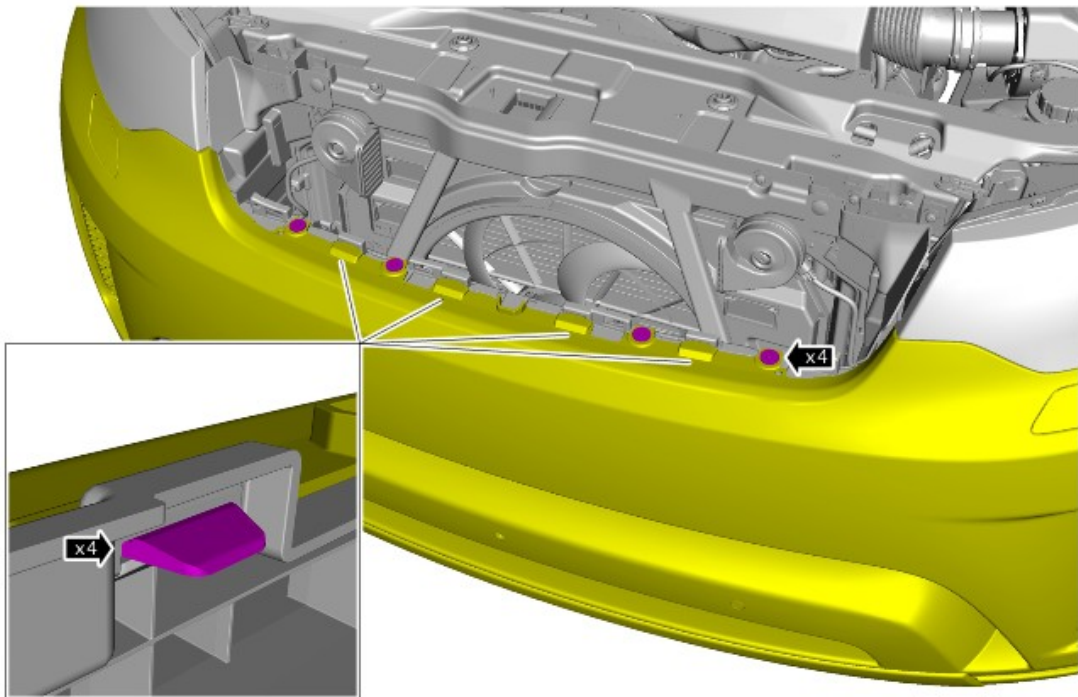
Disconnect the washer jet hoses.

8.



Remove the radiator grille.

9.

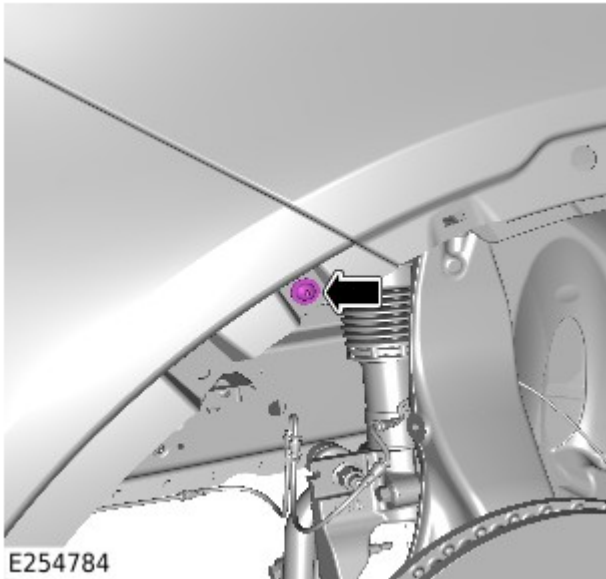


Position the upper side of the bumper cover to one side.

10.

NOTE:

Repeat the step for the other side.

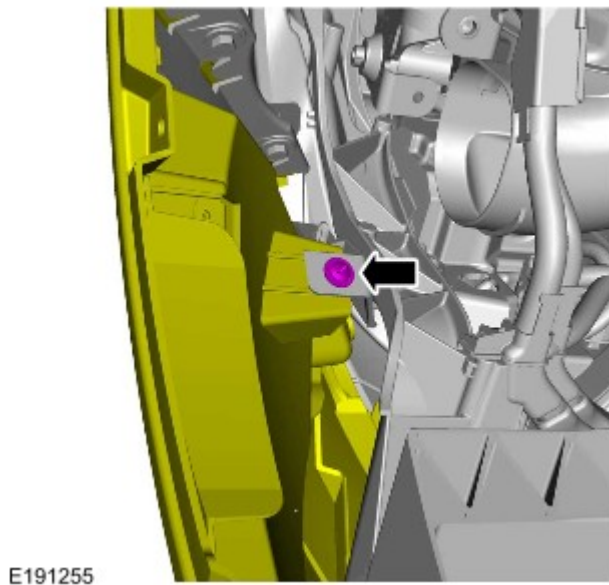


- Remove the front bumper cover side fixing.
Torque: 10Nm

11.

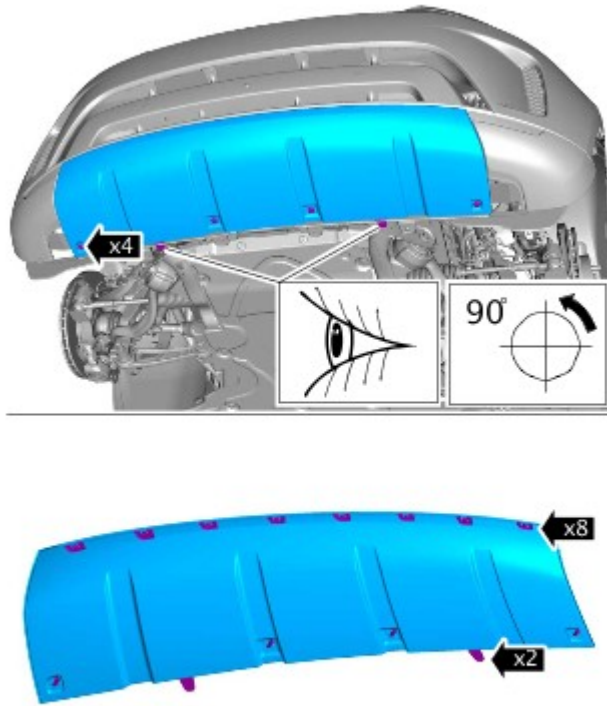
NOTE:

Repeat the step for the other side.



- Position the outside of the bumper cover to one side.
Torque: 10Nm

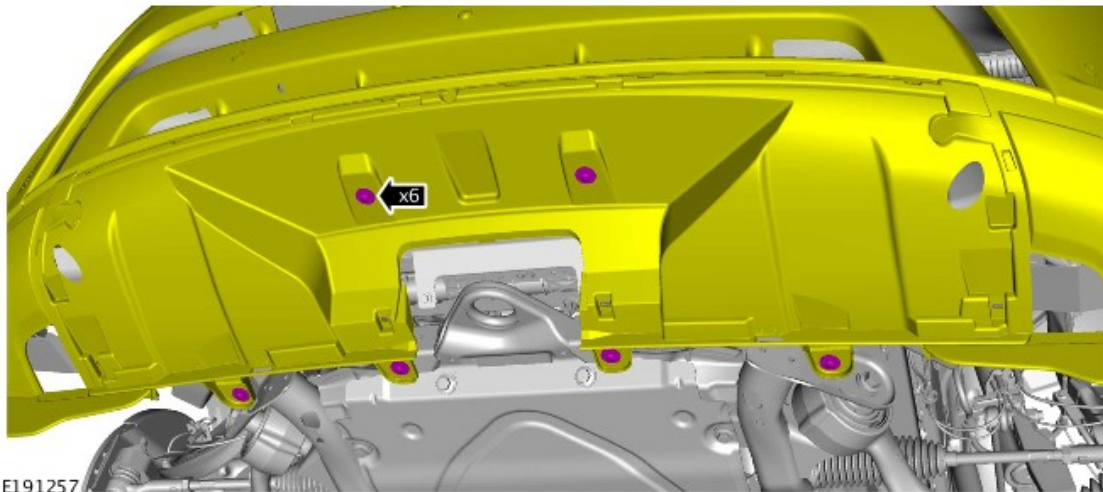
12.



E191256

Remove the front towing eye cover.

13.



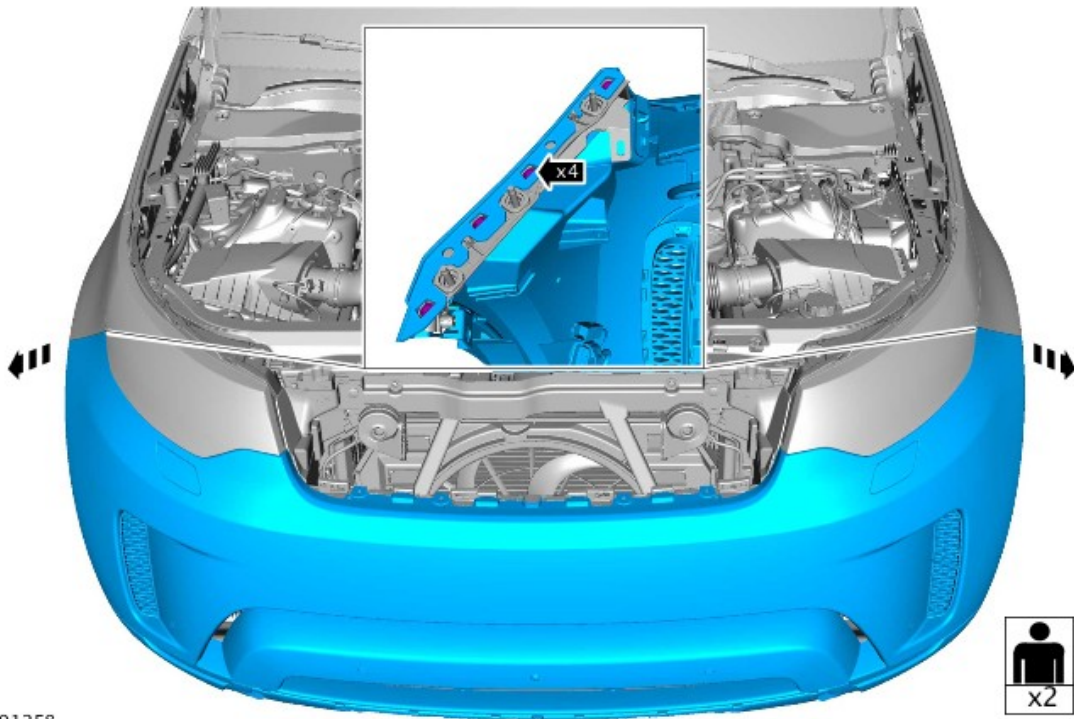
E191257

- Remove the front bumper cover lower fixings.
Torque: 10Nm

14.

CAUTION:

Protect the surrounding paintwork to avoid damage.



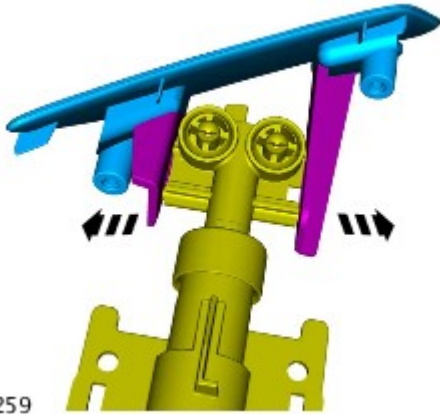
E191258

Remove the front bumper.

15.

NOTE:

- Do not disassemble further if the component is removed for access only.
- Repeat the step for the other side.



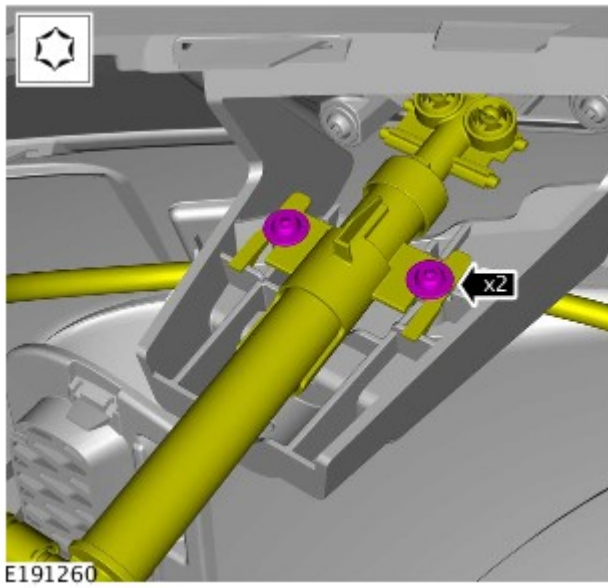
E191259

Remove the washer jet cover.

16.

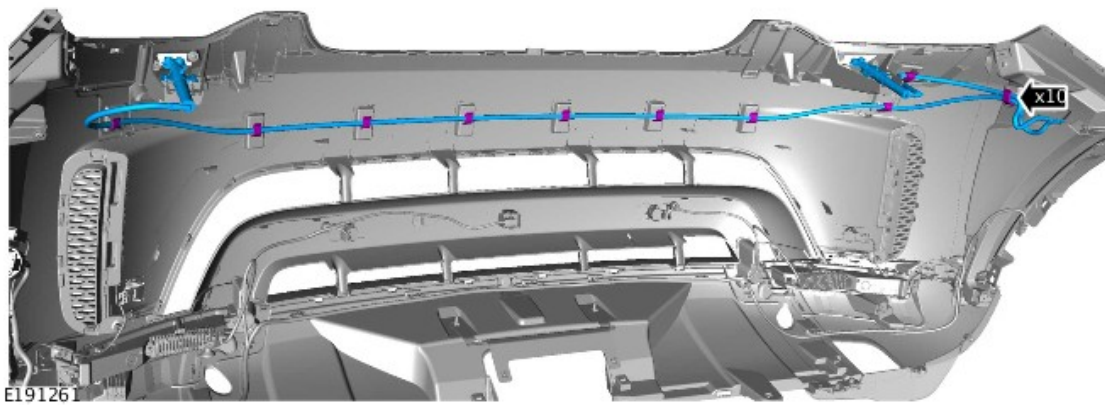
NOTE:

Repeat the step for the other side.



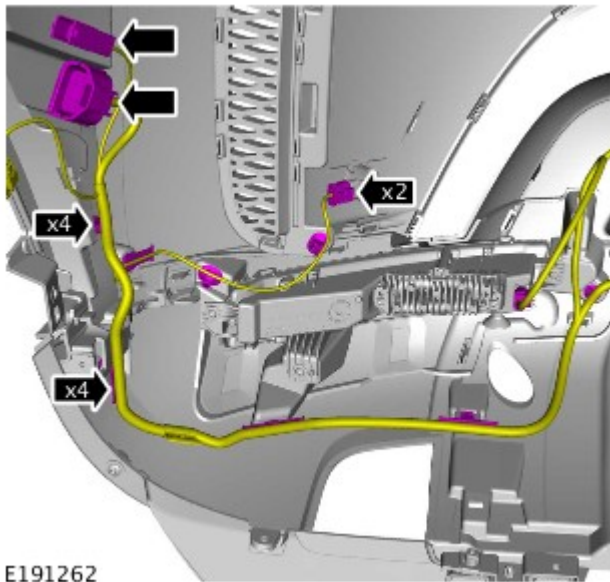
Release the washer jet assembly.

17.



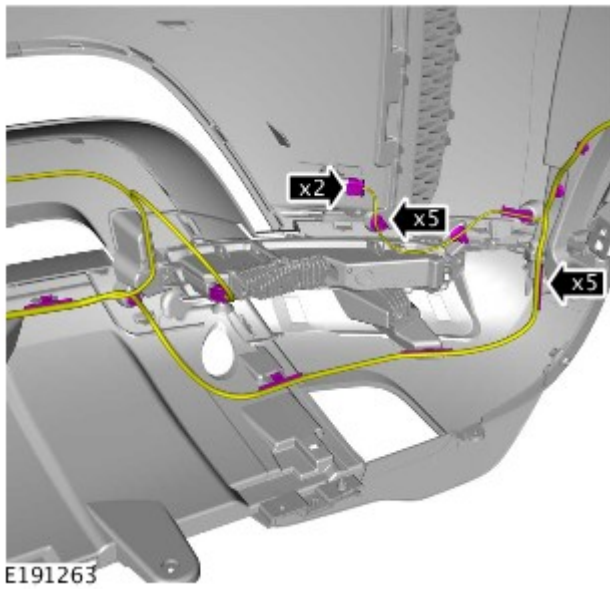
Remove the washer jet assembly.

18.



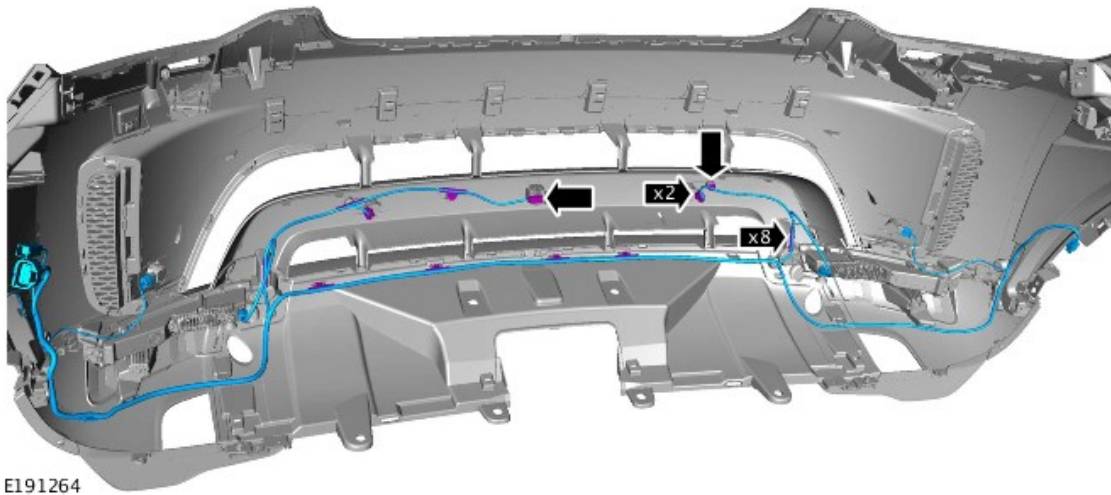
Position the left side of the front bumper harness to one side.

19.



Position the right side of the front bumper harness to one side.

20.



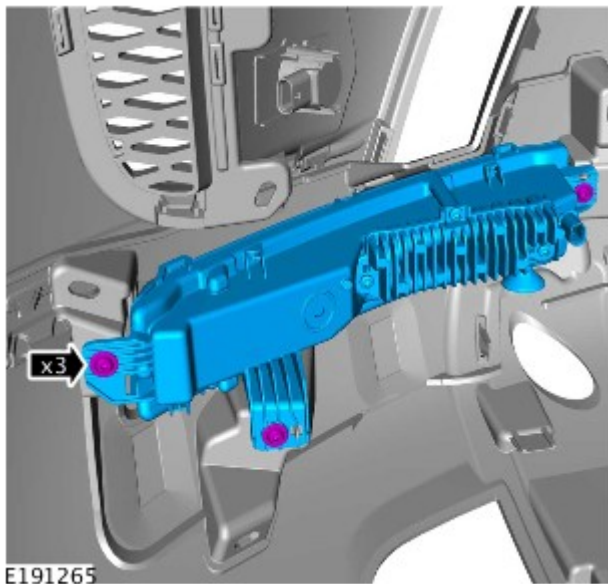
E191264

Remove the bumper harness.

21.

NOTE:

Repeat the step for the other side.



E191265

- Remove the front fog lamp.

Torque: 2Nm

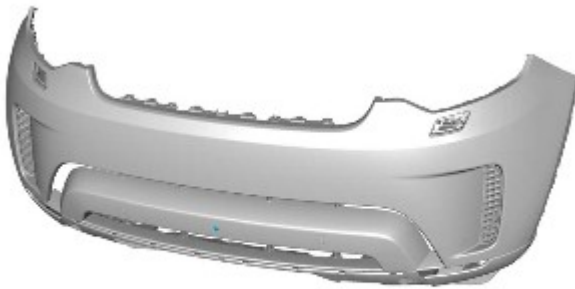
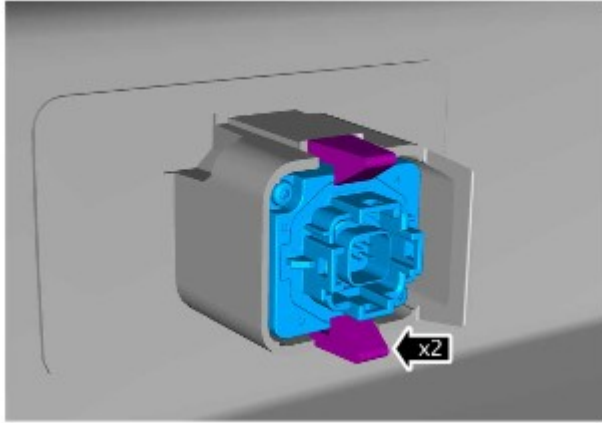
22.

CAUTION:

Make sure that the component is correctly located on the locating dowels.

NOTE:

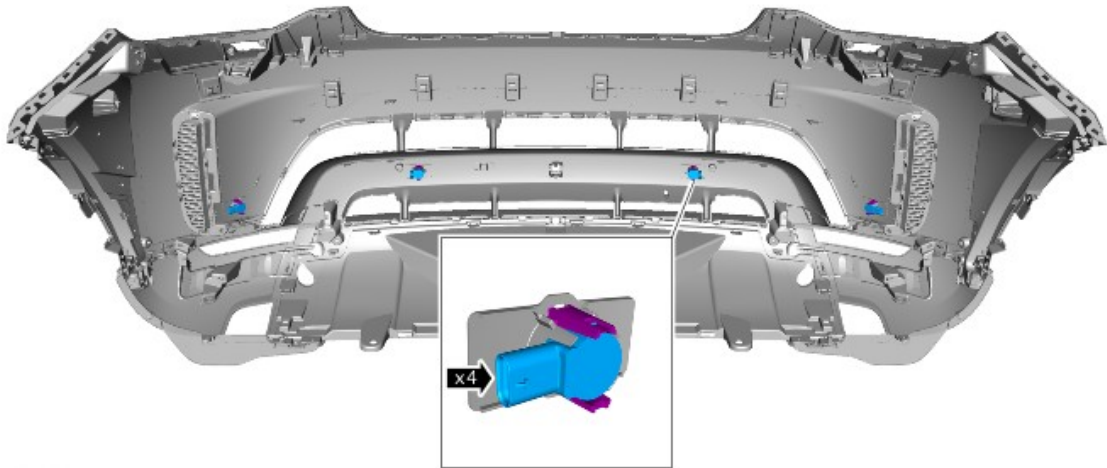
Note the orientation of the component prior to removal.



E191266

Remove the parking aid camera.

23.



E191267

Remove the parking aid sensors.

INSTALLATION

1. To install, reverse the removal procedure.