

PUBLISHED: 23-JUN-2017
2017.0 DISCOVERY (LR), 501-05

INTERIOR TRIM AND ORNAMENTATION

REAR DOOR TRIM PANEL (G1972059)

REMOVAL AND INSTALLATION

76.34.04	TRIM PANEL - REAR DOOR - RENEW	ALL DERIVATIVES	0.3	USED WITHINS
----------	--	--------------------	-----	-----------------

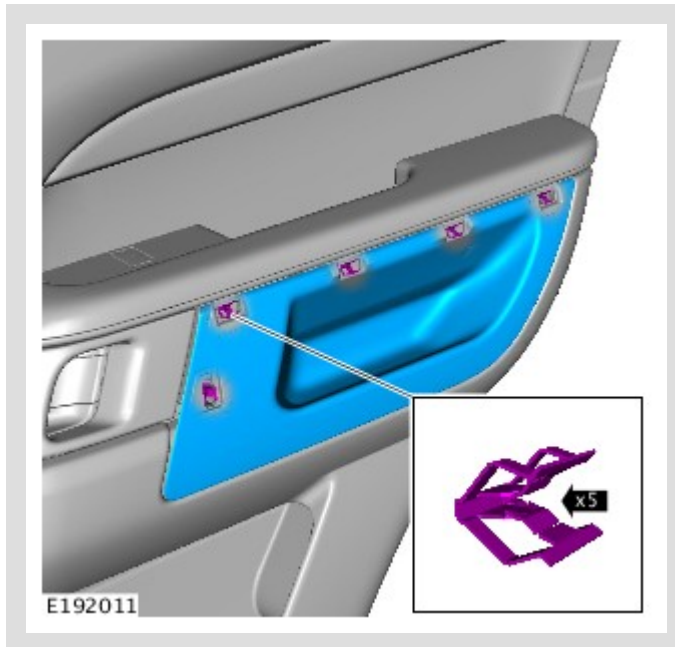
REMOVAL

NOTE:

Removal steps in this procedure may contain installation details.

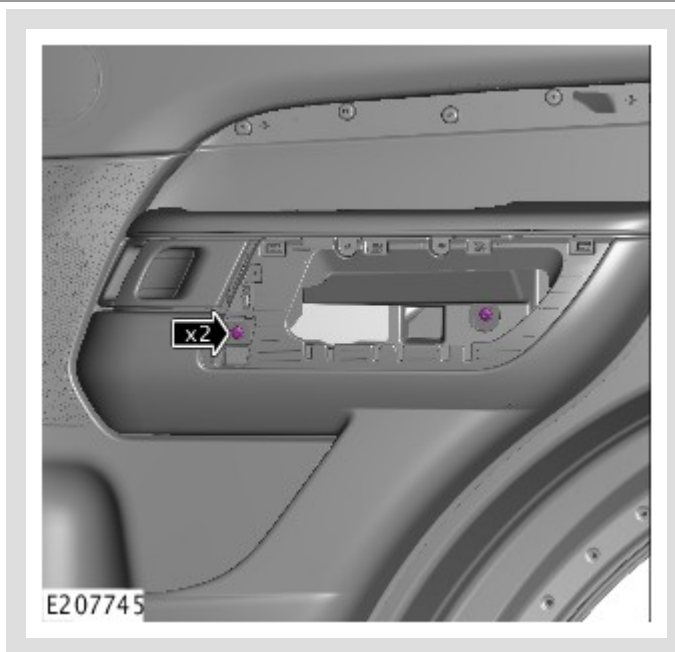
1. Disconnect the battery ground cable.
Refer to: Specifications (414-00 Battery and Charging System - General Information, Specifications).
2. Make the Supplementary Restraints System (SRS) system safe.
Refer to: Standard Workshop Practices (100-00 General Information, Description and Operation).

3.



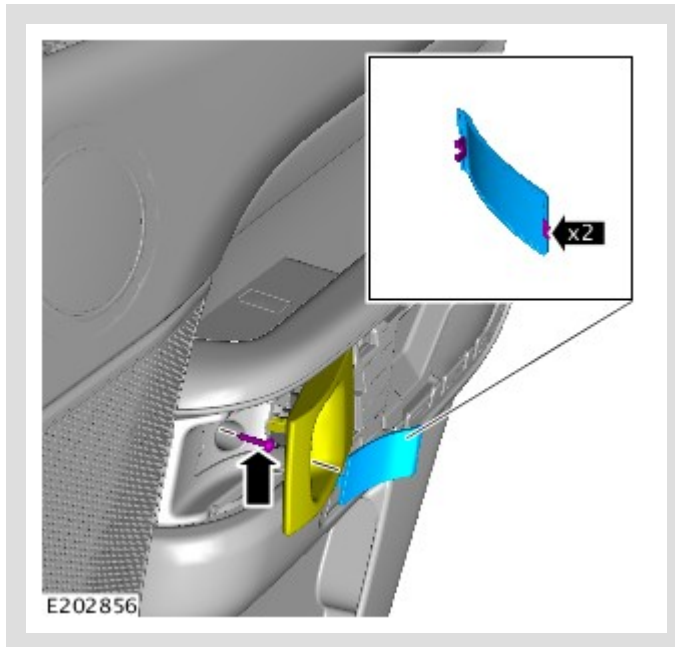
Remove the door pocket finisher.

4.



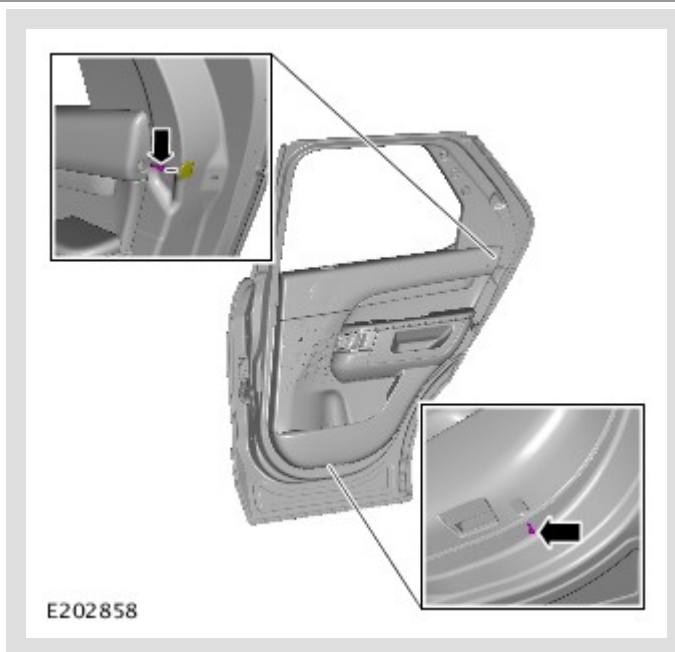
Remove the trim panel retaining screws

5.



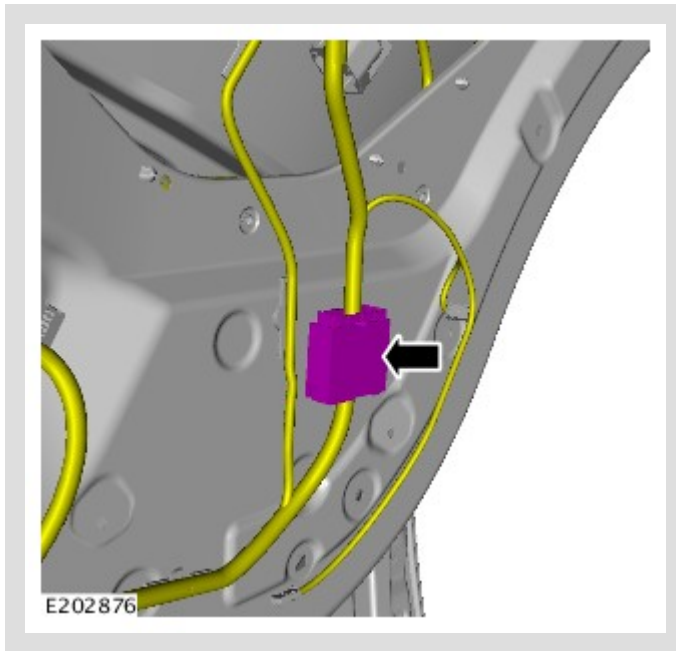
Remove the rear door handle trim and screw.

6.



Remove the rear trim panel screws.

7.



Disconnect the electrical connector.

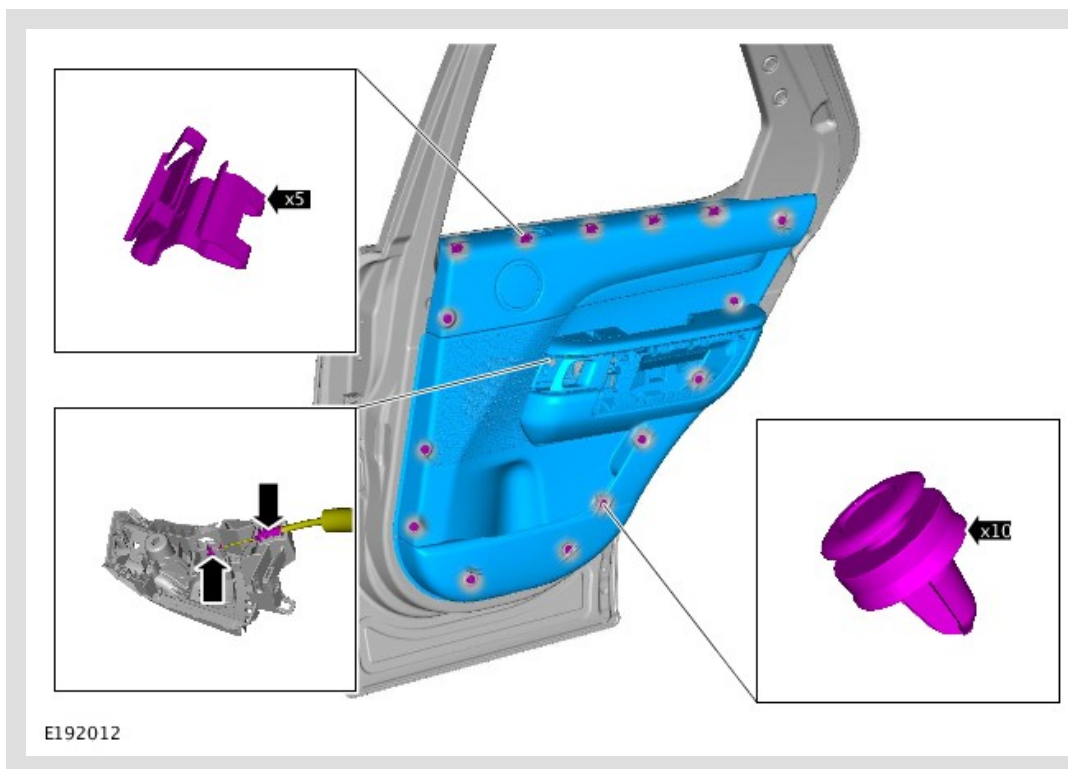
8.

⚠ CAUTION:

Do not use tools during this operation, removal of the component(s) must be carried out by hand.

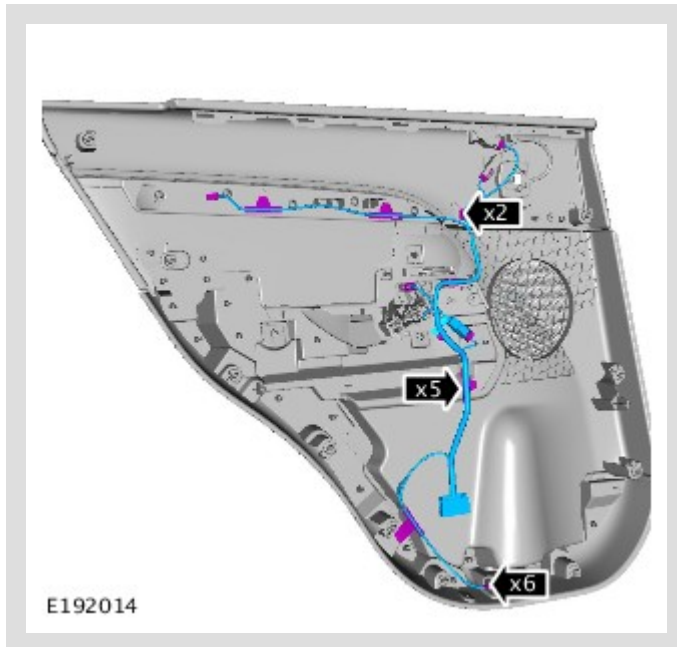
⚠ NOTE:

Do not disassemble further if the component is removed for access only.



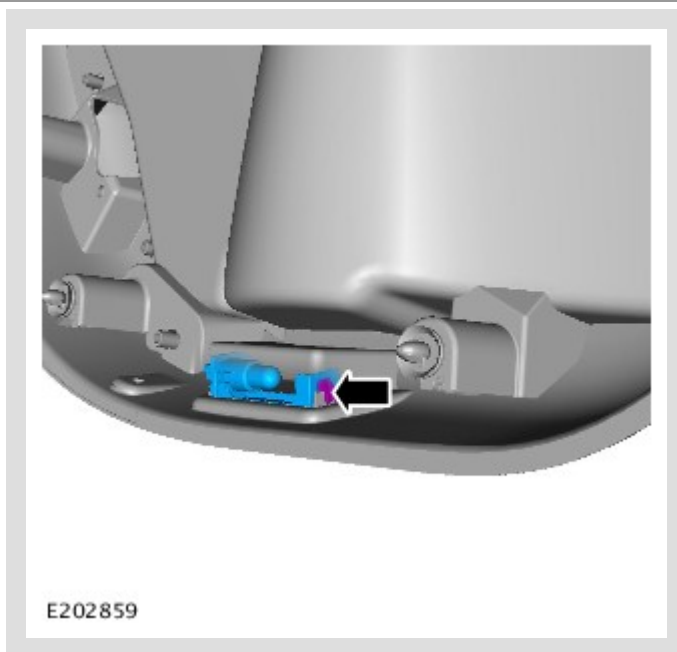
Remove the rear door trim panel.

9.



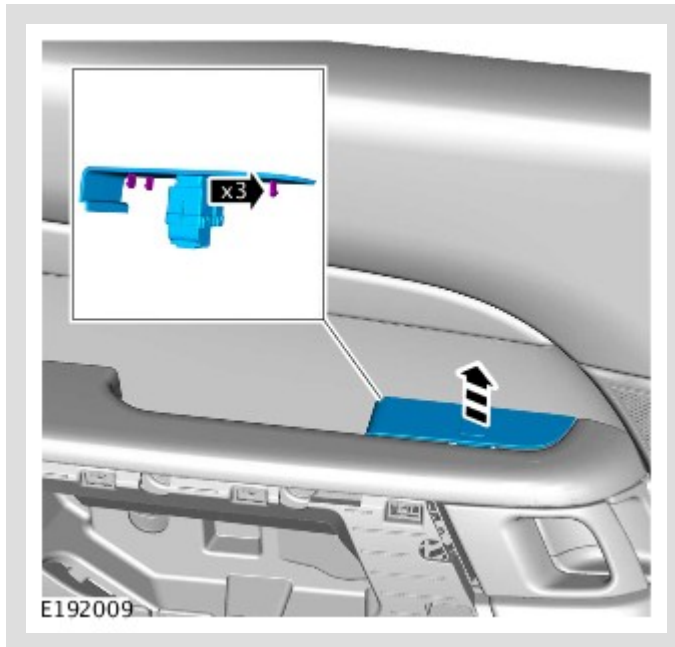
Remove the rear door trim panel wiring harness.

10.



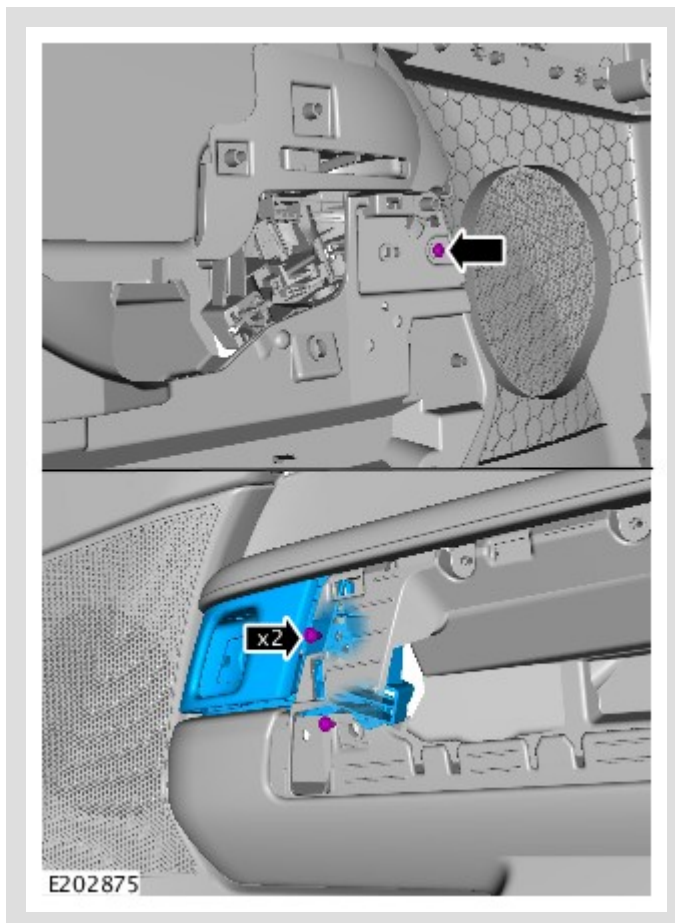
Remove the rear door trim panel lamp.

11.



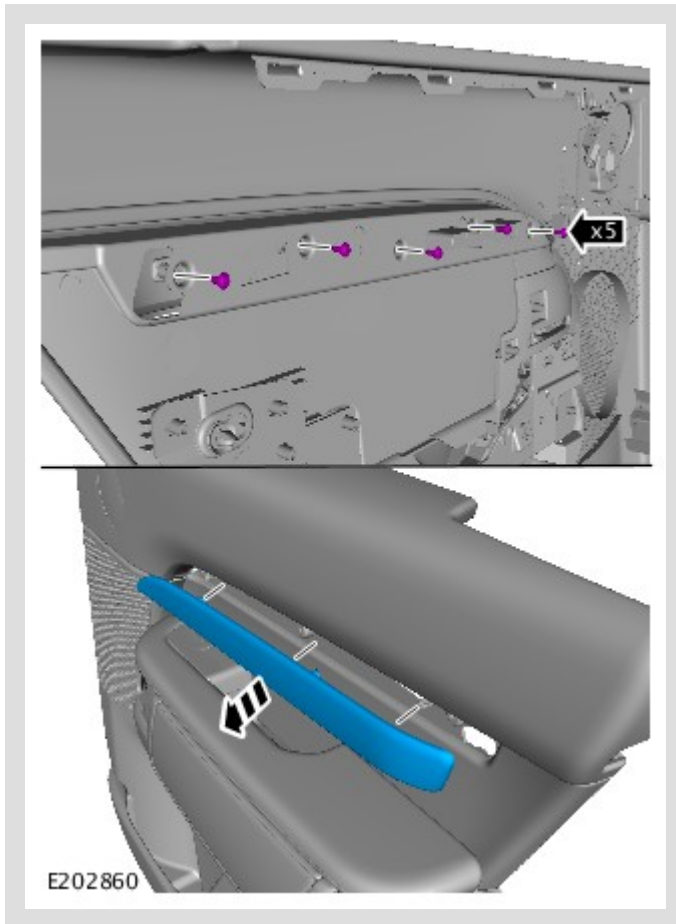
- Remove the rear door trim panel switch panel.

12.



Remove the door handle.

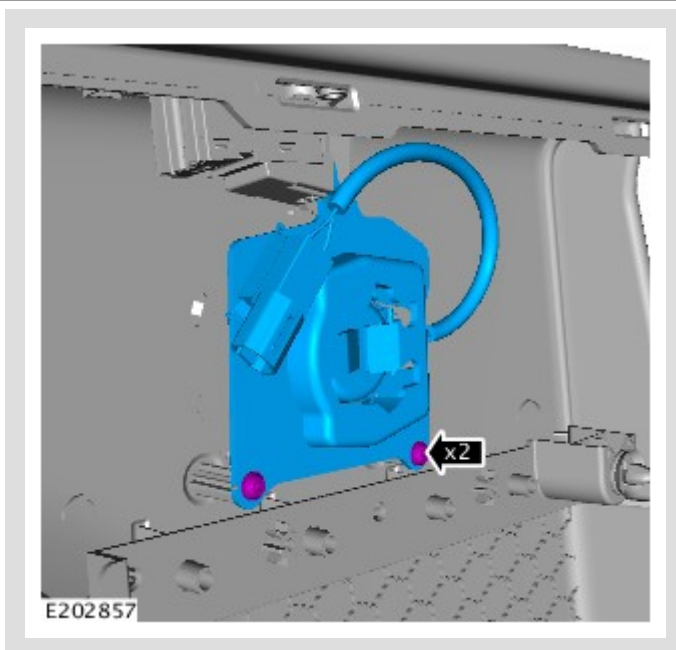
13.



Remove the rear door trim panel veneer.


Torque: .12 Nm

14.

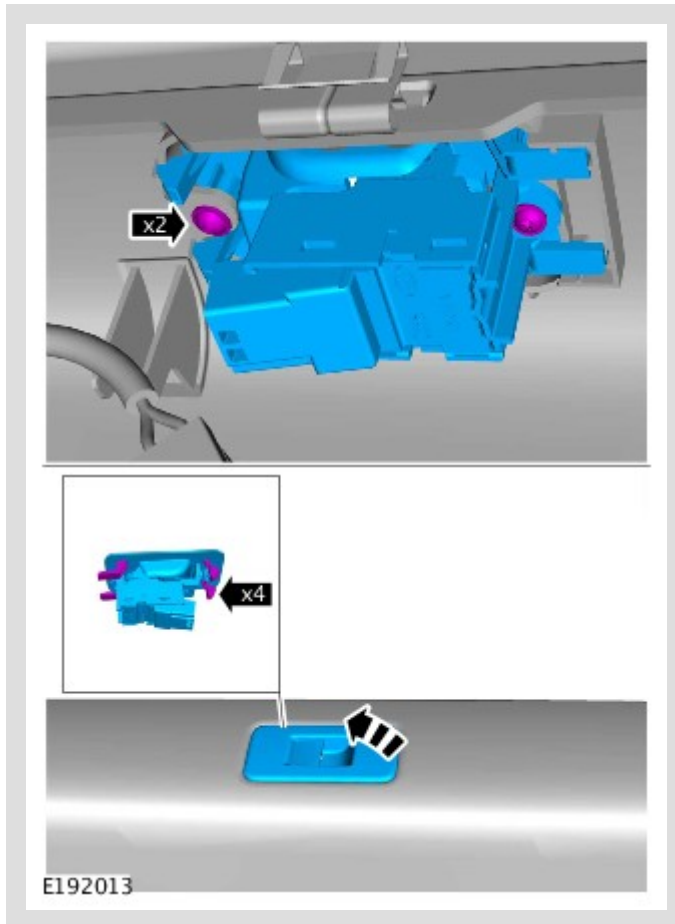


Remove the speaker.

15.

 NOTE:

Make sure only a suitable plastic tool is used.



Remove the rear door trim panel window control switch.

INSTALLATION

1. To install, reverse the removal procedure.