

PUBLISHED: 21-DEC-2016
2017.0 DISCOVERY (LR), 501-11

GLASS, FRAMES AND MECHANISMS

REAR DOOR WINDOW REGULATOR

(G2098034)

REMOVAL AND INSTALLATION

REMOVAL

NOTE:

Some variation in the illustrations may occur, but the essential information is always correct.

1.

WARNING:

To avoid accidental deployment, the restraints control module backup power supply must be depleted. Wait at least two minutes after disconnecting the battery ground cable(s) before commencing any repair or adjustment to the supplemental restraint system (SRS), or any component(s) adjacent to the SRS sensors. Failure to follow these instructions may result in personal injury.

Make the Supplementary Restraint System (SRS) safe.

Refer to: Supplementary Restraint System Health and Safety Precautions (100-00, Description and Operation).

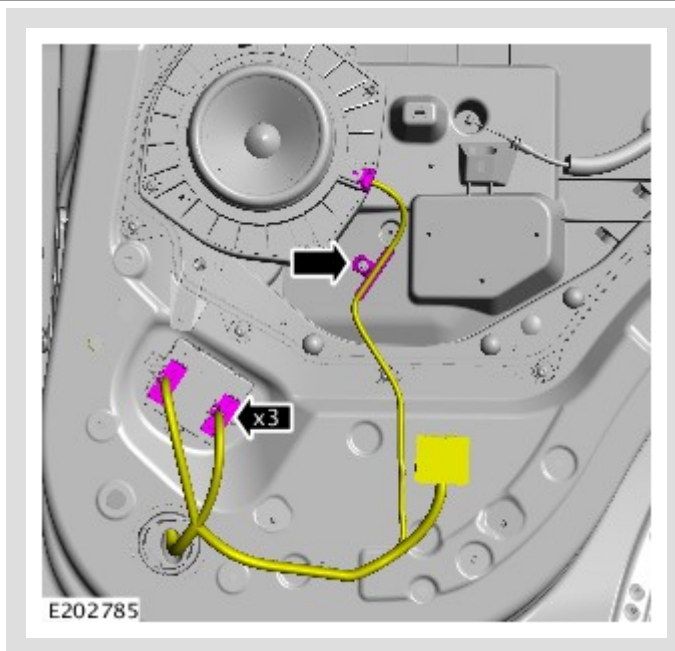
2.

Disconnect the startup battery ground cable.

Refer to: Specifications (414-00, Specifications).

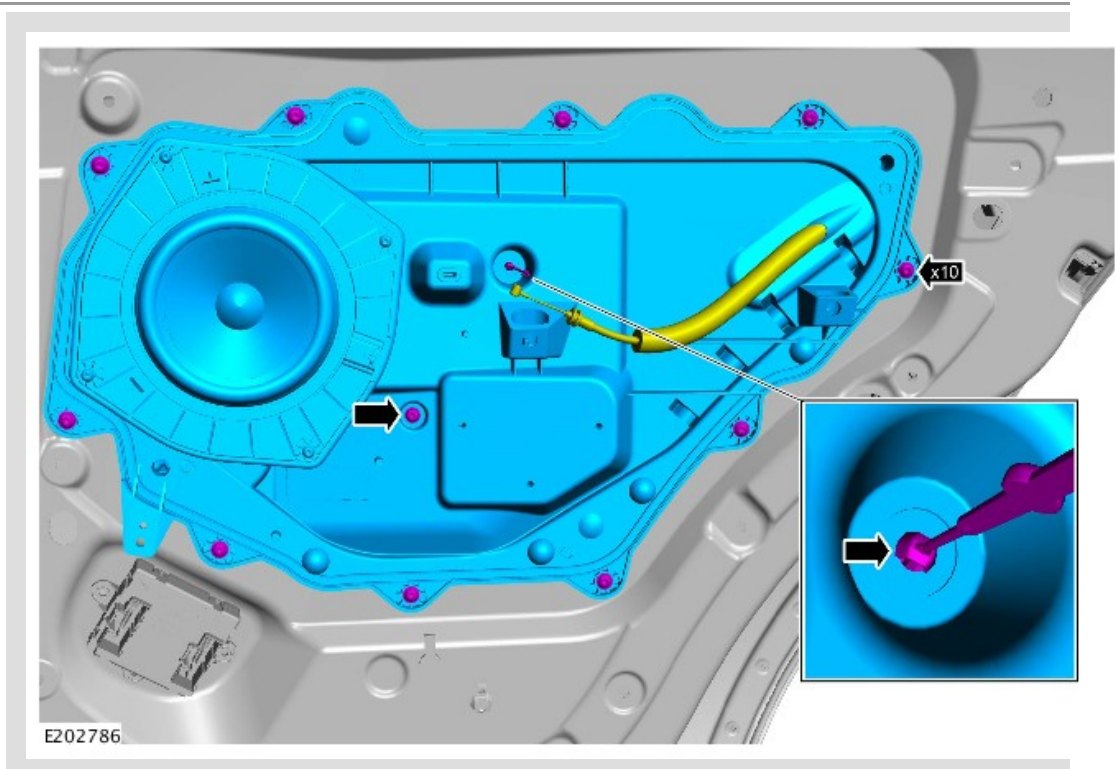
3. Remove the rear door window glass.
Refer to: Rear Door Window (501-11, Removal and Installation).

4.



- Disconnect the 3 electrical connectors.
- Release the wiring harness from the retaining clip.

5.

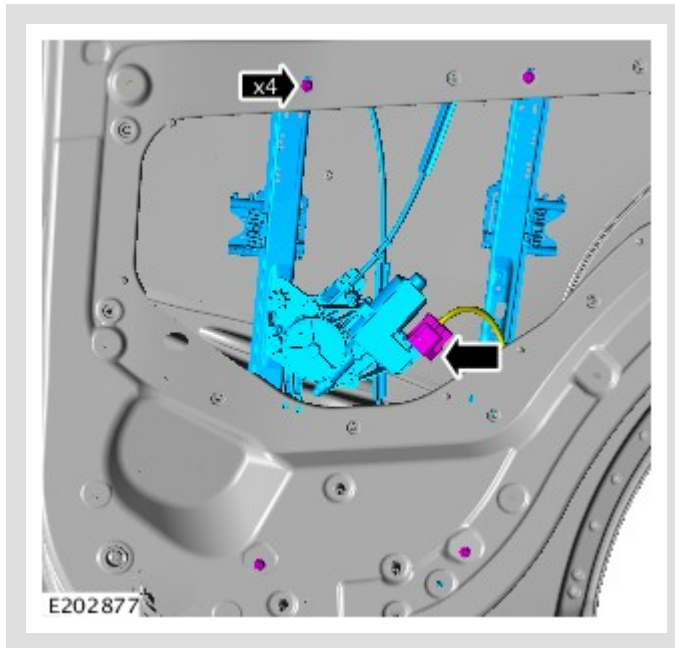


- Remove the 11 bolts from the inner door trim.
- Release the retaining clip.
- Remove the inner door panel trim.

6.

⚠ CAUTION:

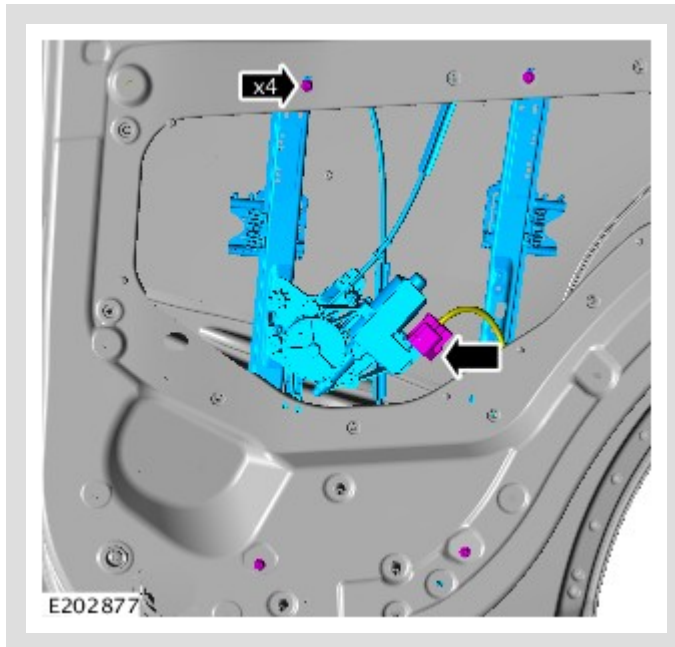
Inspect the regulator cable clips for sign of damage. Renew if necessary.



- Disconnect the electrical connector from the front window regulator motor.
- Remove the 4 bolts securing the front window regulator in position.
- Remove the front window regulator.

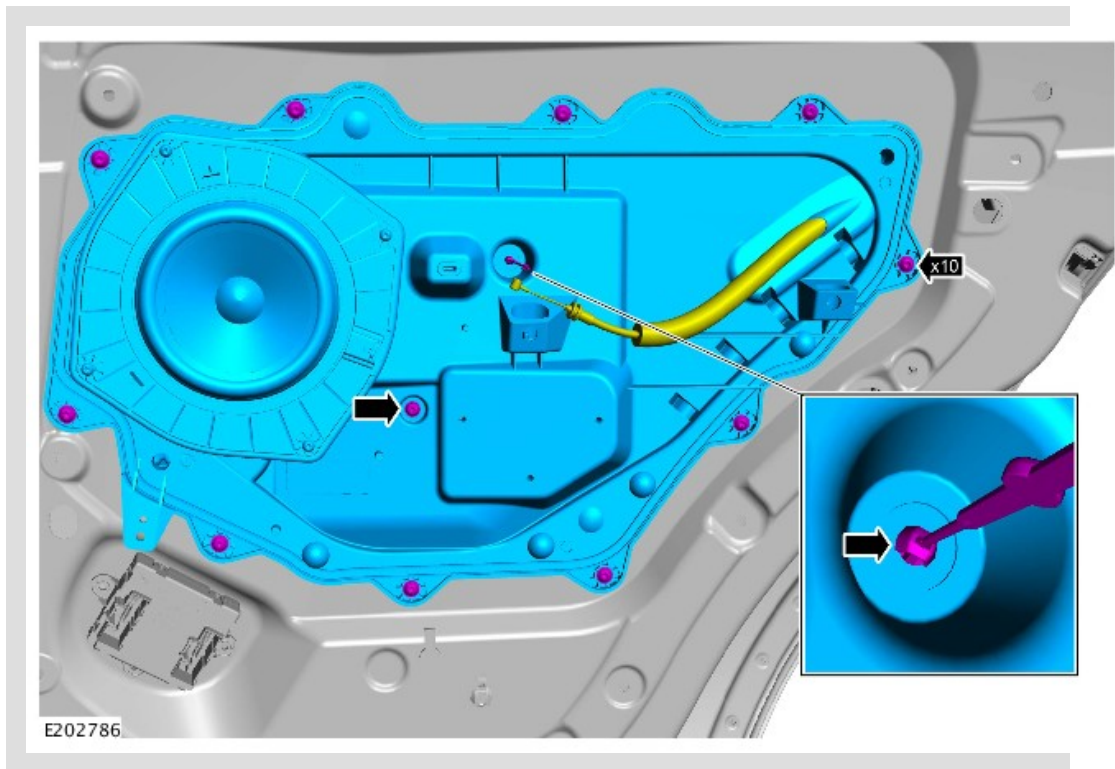
INSTALLATION

1.



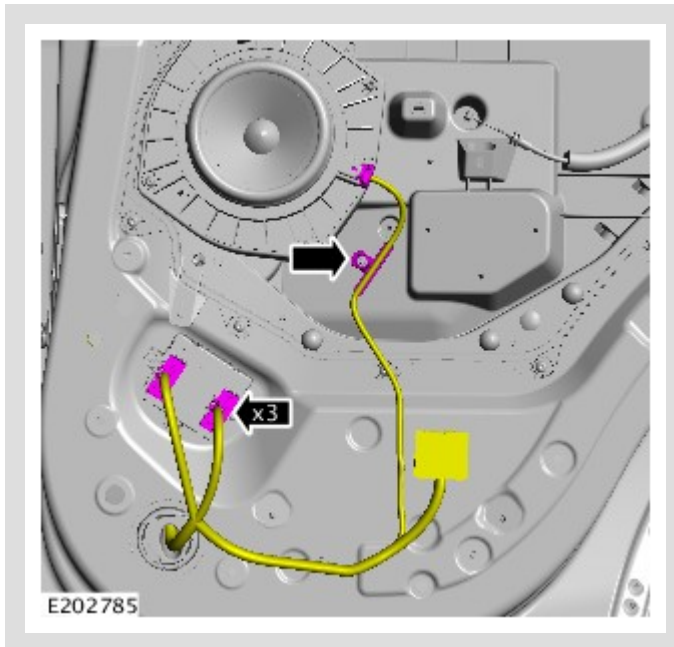
- Install the front window regulator.
 - Install the 4 bolts securing the front window regulator in position and tighten to the correct torque.
Torque: 4.5 Nm
 - Connect the electrical connector for the front window regulator motor.
-

2.



- Install the inner door panel trim.
 - Install the 10 bolts securing the inner door trim and tighten to the correct torque.
Torque: 10 Nm
 - Install the bolt securing the window regulator motor assembly to the inner door panel and tighten to the correct torque.
Torque: 5 Nm
 - Install the retaining clip.
-

3.



- Connect the 3 electrical connectors.
- Install the wiring harness into the retaining clip.

4. Install the rear door window glass.

Refer to: Rear Door Window (501-11, Removal and Installation).

5. Connect the startup battery ground cable.

Refer to: Specifications (414-00, Specifications).