

PUBLISHED: 03-MAY-2017
2017.0 DISCOVERY (LR), 501-05

INTERIOR TRIM AND ORNAMENTATION

FRONT DOOR TRIM PANEL (G1972058)

REMOVAL AND INSTALLATION

76.34.01	TRIM PANEL - FRONT DOOR - LEFT /EACH - RENEW	ALL DERIVATIVES	0.5	USED WITHINS	
----------	--	--------------------	-----	-----------------	--

REMOVAL

NOTE:

Removal steps in this procedure may contain installation details.

1. Disconnect the battery ground cable.
Refer to: Specifications (414-00 Battery and Charging System - General Information, Specifications).

2.

⚠ CAUTION:

Make sure only a suitable plastic tool is used.



Remove the door pocket finisher.

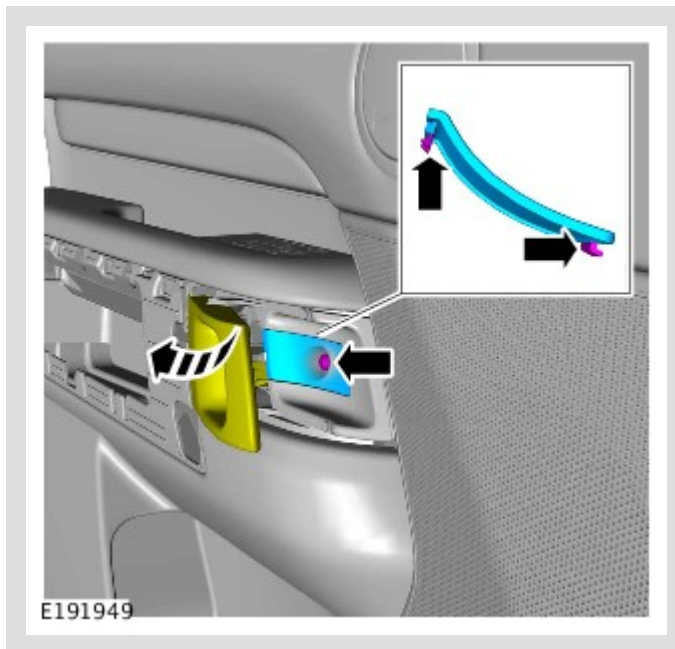
3.



Remove front door trim panel retaining screws.

Torque: 1.5 Nm

4.




- Remove the screw.
Torque: 1.5 Nm

5.

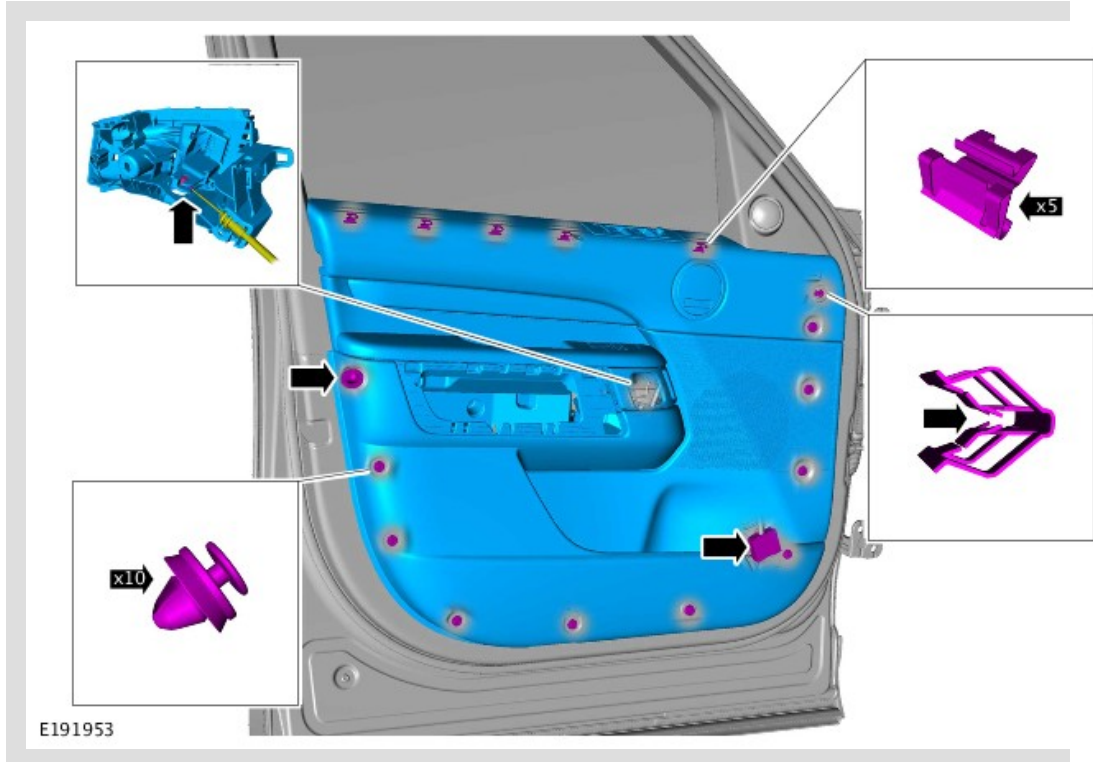


- Remove front door trim panel end cap for access to securing screw.
Torque: 1.5 Nm

6.

 NOTE:

Do not disassemble further if the component is removed for access only.



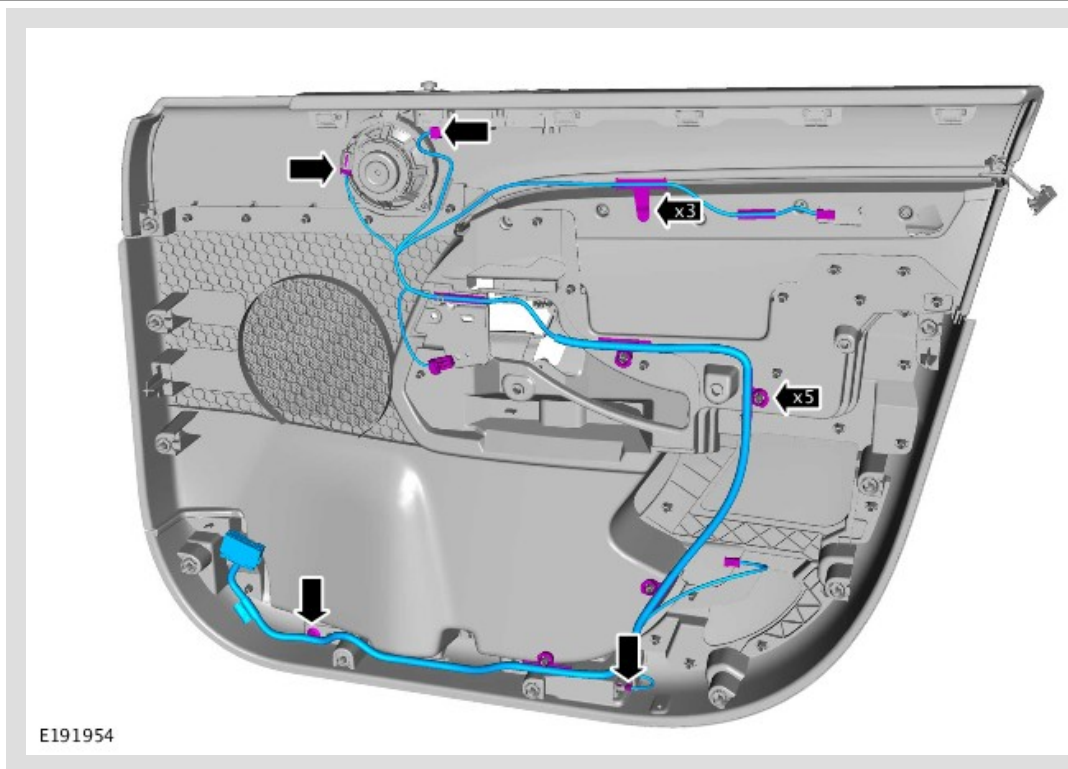
Remove the front door trim panel.

7.



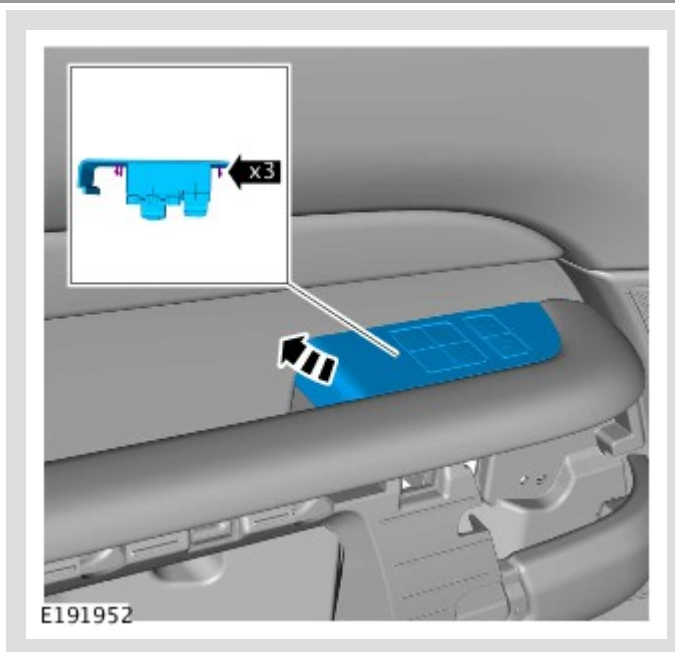
- Remove the screw.
Torque: 1.5 Nm

8.



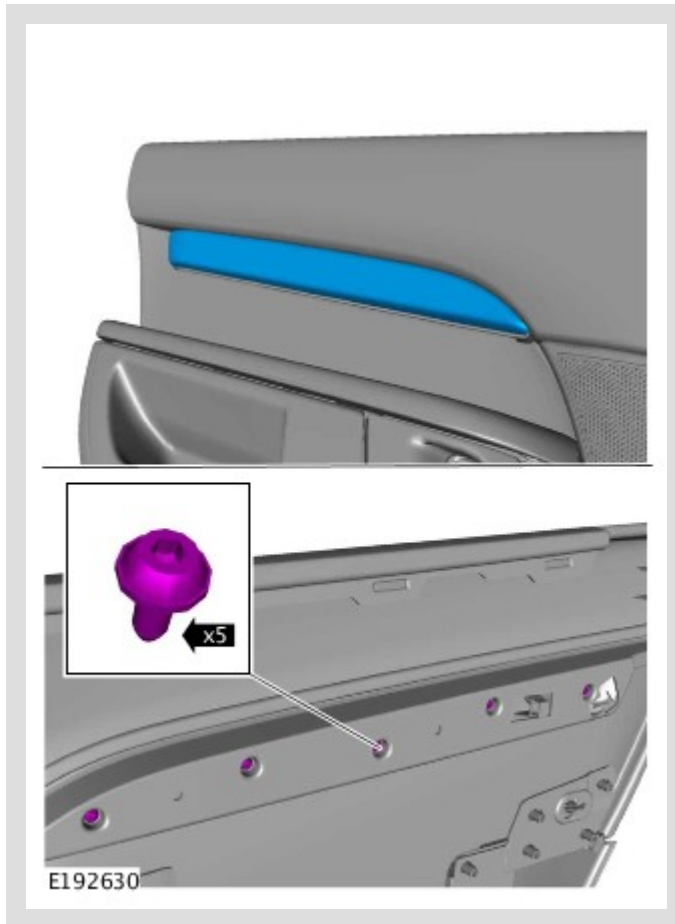
Remove the wiring harness.

9.



- Remove the window control switch panel.

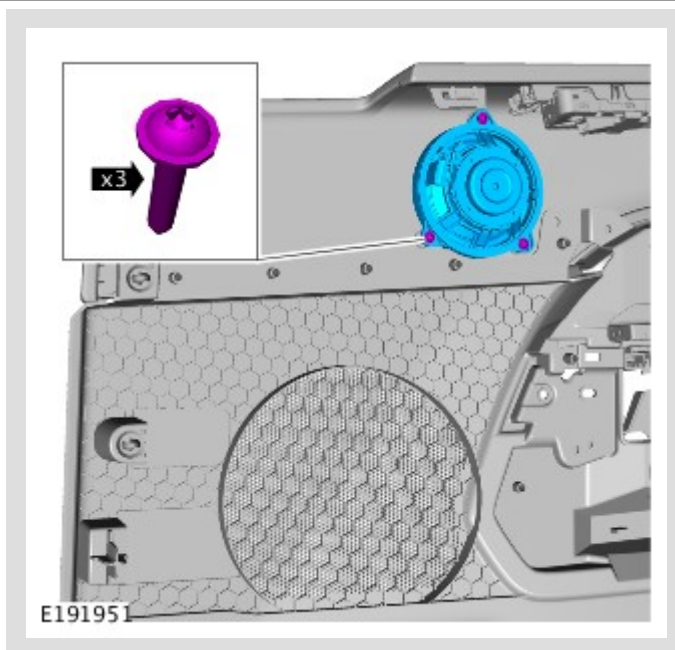
10.



Remove the door veneer panel.

Torque: 12 Nm

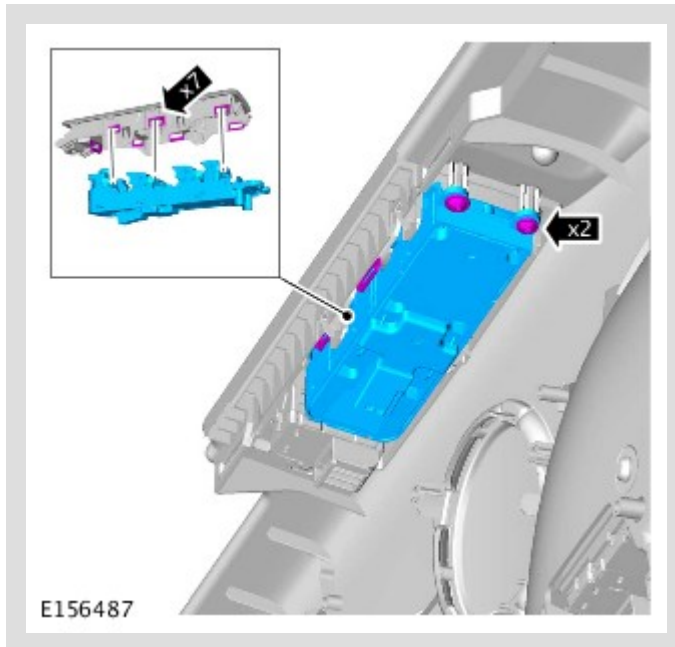
11.



- Remove the speaker.

Torque: 1.5 Nm

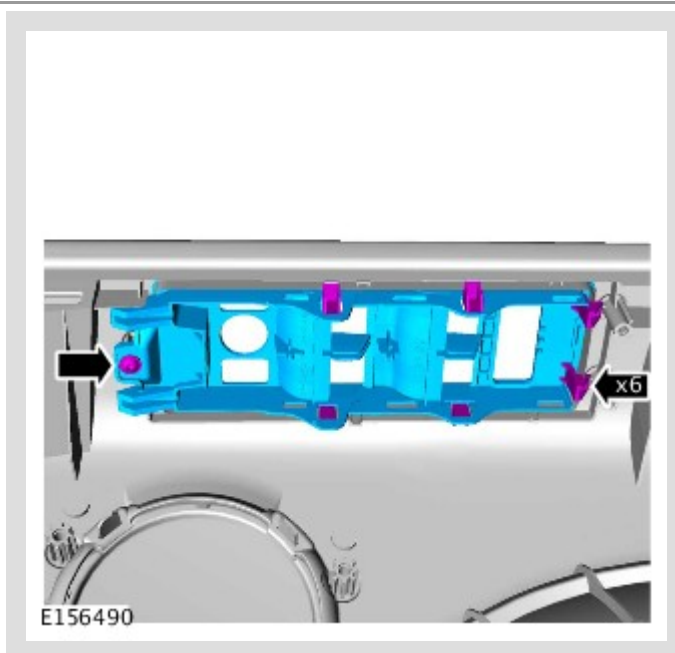
12.



Remove the window control switch.

Torque: 2 Nm

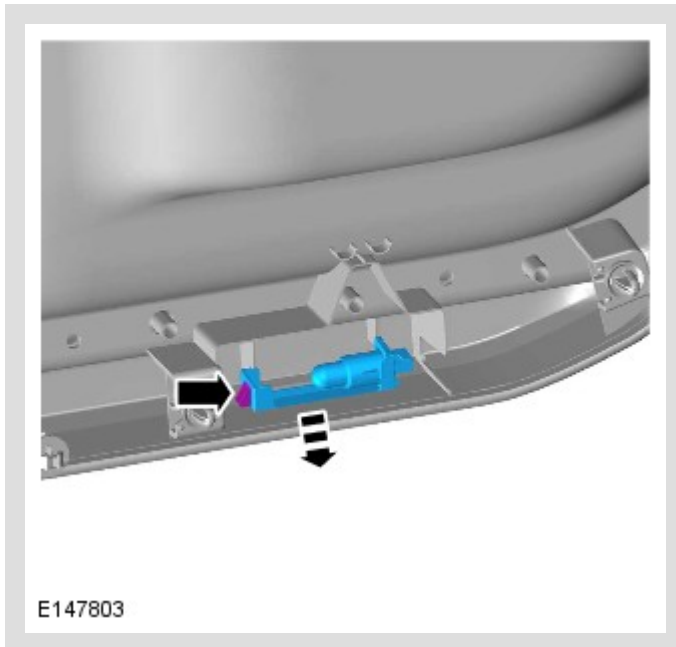
13.



Remove the bezel.

Torque: 1.5 Nm


14.



- Remove the ambience lighting guide from the interior door panel.

INSTALLATION

1.

 **NOTE:**

Install new retaining clips.

To install, reverse the removal procedure.