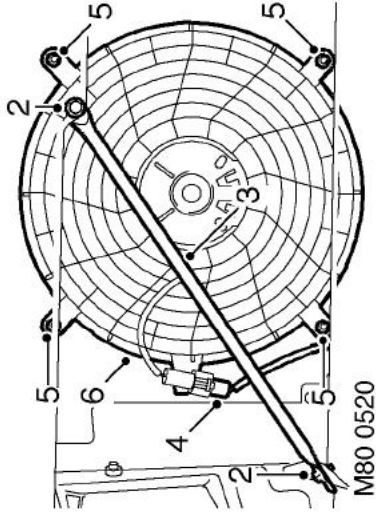


Fan - condenser

🔑 82.15.01

Remove

1. Remove front grille.
 EXTERIOR FITTINGS, REPAIRS, Grille - front - up to 03MY.



M80 0520

2. Remove 2 bolts securing bonnet platform RH support stay.
3. Remove support stay.
4. Disconnect multiplug from condenser cooling fan motor.
5. Remove 4 screws securing cooling fan cowl to mounting bracket.
6. Remove cooling fan assembly and collect spacing washers.

Refit

1. Fit condenser fan.
2. Fit spacing washers between fan cowl and mounting bracket and secure with screws.
3. Connect multiplug to motor.
4. Fit bonnet platform support stay and secure with bolts.
5. Fit front grille.
 EXTERIOR FITTINGS, REPAIRS, Grille - front - up to 03MY.

Condenser

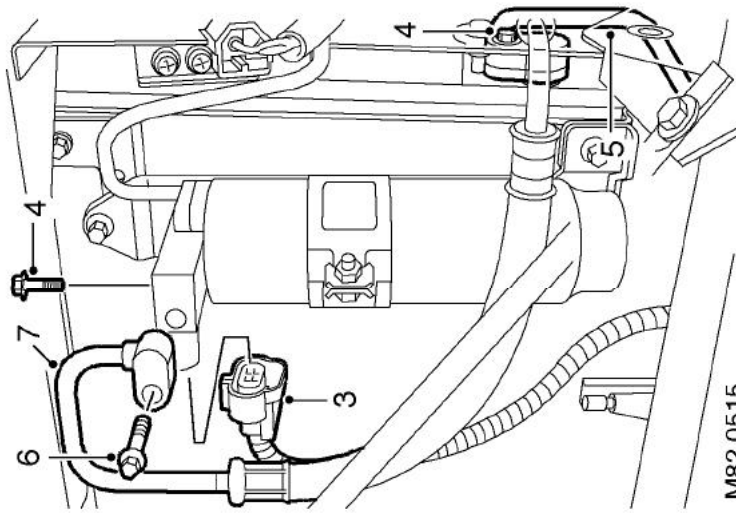
🔑 82.15.07

Remove

1. Recover refrigerant from A/C system.
 AIR CONDITIONING, REFRIGERANT RECOVERY, RECYCLING AND RECHARGING, Refrigerant recovery, recycling and recharging.
2. Remove radiator.

● COOLING SYSTEM - Td5, REPAIRS, Radiator.

● COOLING SYSTEM - V8, REPAIRS, Radiator.

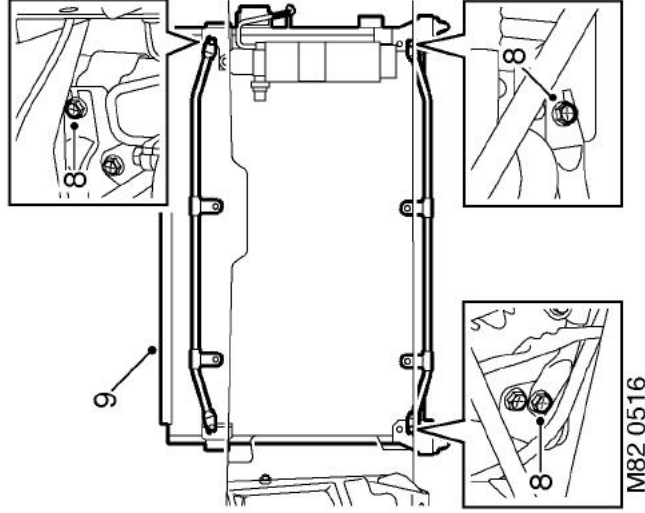


M82 0515

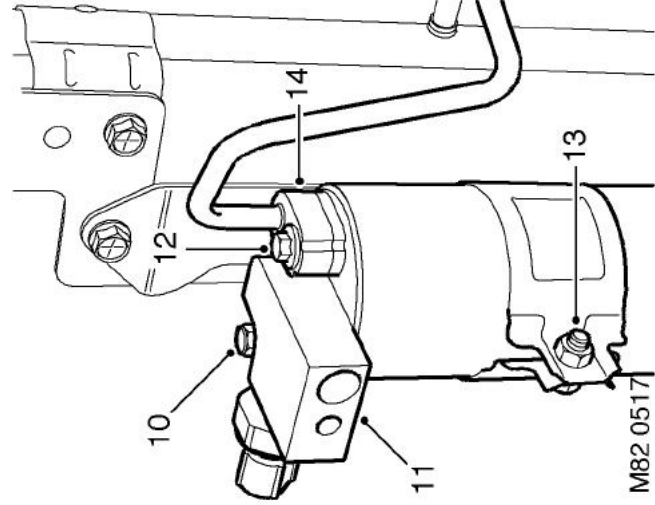
3. Disconnect multiplug from dual pressure switch.
4. Remove bolt securing evaporator pipe to condenser.
5. Disconnect evaporator pipe from condenser and discard 'O' ring.
6. Remove bolt securing evaporator pipe to receiver drier.
7. Disconnect evaporator pipe from receiver drier and discard 'O' ring.

CAUTION: Always fit plugs to open connections to prevent contamination.

AIR CONDITIONING



- 8. Remove 3 remaining bolts securing cooling fan support rails to condenser.
- 9. Remove condenser.

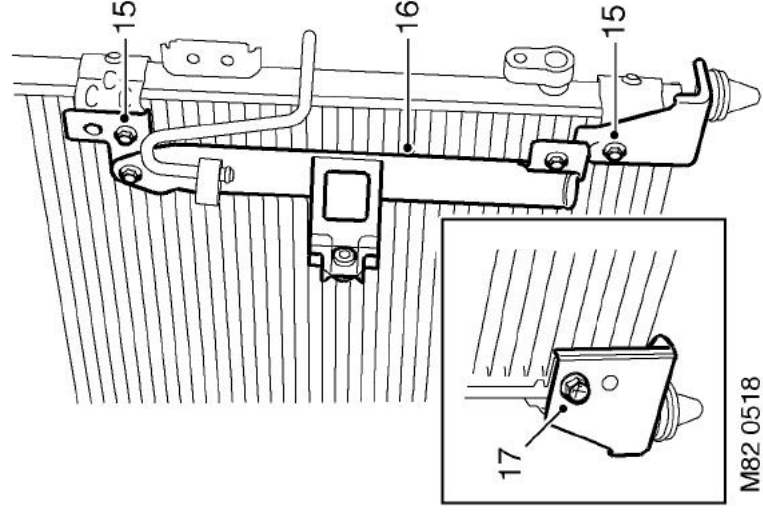


- 10. Remove bolt securing adaptor block to receiver drier.
- 11. Remove adaptor block from receiver drier and discard 'O' ring.

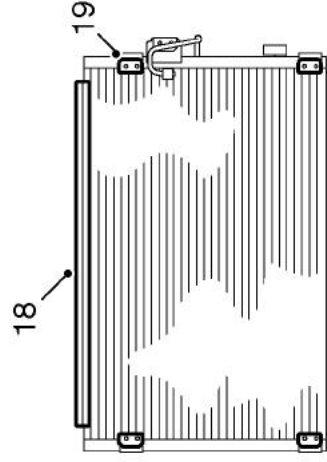
CAUTION: Always fit plugs to open connections to prevent contamination.

- 12. Remove bolt securing condenser pipe to receiver drier.
- 13. Remove clamp bolt receiver drier to bracket and remove drier from bracket.
- 14. Remove and discard 'O' ring from condenser pipe.

CAUTION: Always fit plugs to open connections to prevent contamination.



- 15. Remove 2 remaining bolts securing receiver drier brackets and condenser LH mounting bracket to condenser.
- 16. Remove mounting bracket assembly.
- 17. Remove remaining bolt securing condenser RH mounting and remove mounting.



- 18. Remove sealing strip from outer upper seam of condenser.
- 19. Remove captive nut plates from condenser.



Refit

1. Fit captive nut plates to new condenser.
2. Fit seal to condenser.
3. Fit RH mounting bracket to condenser and secure with bolt.
4. Fit receiver drier bracket assembly and secure with bolts.
5. Ensure condenser pipe and new receiver drier connections are clean.
6. Lubricate new 'O' ring with refrigerant oil and fit to condenser pipe.
7. Fit receiver drier to bracket and condenser pipe. Tighten bolt securing condenser pipe to 5 Nm (3.7 lbf.ft). Fit clamping bolt securing receiver drier to bracket and tighten to 5 Nm (3.7 lbf.ft).
8. Ensure adaptor block and receiver drier connections are clean.
9. Lubricate new 'O' ring with refrigerant oil and fit to adaptor block.
10. Fit adaptor block to receiver drier and tighten bolt to 5 Nm. (3.7 lbf.ft).
11. Fit condenser assembly.
12. Fit cooling fan to condenser and fit bolts to secure support rails to condenser brackets.
13. Ensure connections of condenser, receiver drier and evaporator pipes are clean.
14. Lubricate new 'O' ring seals with refrigerant oil and fit one seal to each evaporator pipe.
15. Connect evaporator pipes and tighten bolts to 5 Nm (3.7 lbf.ft).
16. Connect multiplug to dual pressure switch.
17. Fit radiator.

● **COOLING SYSTEM - Td5, REPAIRS, Radiator.**

● **COOLING SYSTEM - V8, REPAIRS, Radiator.**

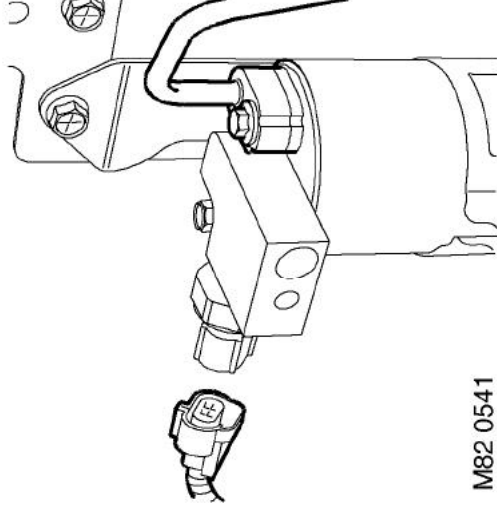
18. Recharge A/C system.
AIR CONDITIONING, REFRIGERANT RECOVERY, RECYCLING AND RECHARGING, Refrigerant recovery, recycling and recharging.

Receiver drier and dual pressure switch

82.17.03

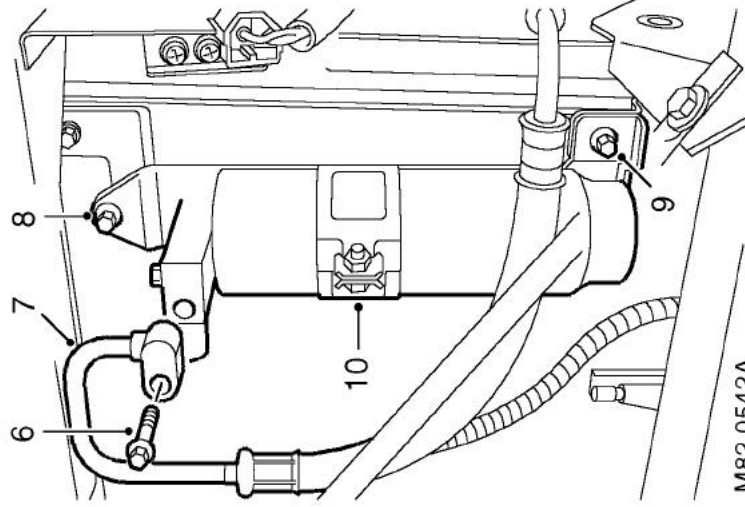
Remove

1. Recover refrigerant from air conditioning system.
AIR CONDITIONING, REFRIGERANT RECOVERY, RECYCLING AND RECHARGING, Refrigerant recovery, recycling and recharging.
2. Remove front grille.
EXTERIOR FITTINGS, REPAIRS, Grille - front - up to 03MY.



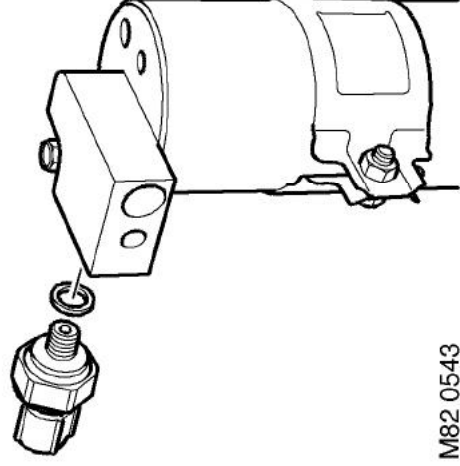
M82 0541

3. Disconnect multiplug from dual pressure switch.
4. Remove bolt securing condenser pipe to receiver drier.
5. Disconnect condenser pipe from receiver drier.
CAUTION: Always fit plugs to open connections to prevent contamination.



M82 0542A

6. Remove bolt securing evaporator pipe to receiver drier.
7. Disconnect evaporator pipe from receiver drier.
CAUTION: Always fit plugs to open connections to prevent contamination.
8. Remove bolt securing top of receiver drier mounting bracket to condenser.
9. Remove bolt securing bottom of receiver drier mounting bracket to condenser.
10. Remove receiver drier assembly.



M82 0543

11. Loosen mounting bracket clamping bolt.
12. Remove receiver drier from mounting bracket.
13. Remove dual pressure switch from receiver drier


Refit

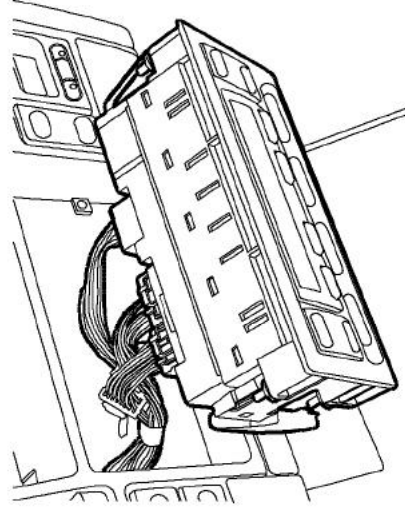
1. Fit dual pressure switch to receiver drier and tighten to 10 Nm (7 lbf.ft).
2. Fit receiver drier to mounting bracket and tighten clamping bolt.
3. Fit receiver drier assembly to condenser.
4. Fit bolts securing receiver drier mounting bracket to condenser and tighten to 5 Nm (3.7 lbf.ft).
5. Remove caps from air conditioning pipes and receiver drier.
6. Remove old 'O' rings from pipes.
7. Fit new 'O' rings to pipes and lubricate with refrigerant oil.
8. Connect air conditioning pipes to receiver drier.
9. Fit bolts securing air conditioning pipes to receiver drier and tighten to 5 Nm (3.7 lbf.ft).
10. Connect multiplug to dual pressure switch.
11. Fit front grille.
EXTERIOR FITTINGS, REPAIRS, Grille - front - up to 03MY.
12. Recharge air conditioning system.
RECHARGING, REFRIGERANT RECOVERY, RECYCLING AND RECHARGING, Refrigerant recovery, recycling and recharging.

ECU - air temperature control

🔑 82.20.90

Remove

1. Release radio from fascia.
 **IN CAR ENTERTAINMENT, REPAIRS, Radio.**




M82 0538

2. Working through radio aperture, release control unit from fascia.
3. Disconnect 3 multiplugs and remove control unit.
4. Collect bushes from control unit location pegs.

Refit


1. Fit bushes to new control unit.
2. Position control unit and connect multiplugs.
3. Fit control unit to fascia.
4. Fit radio to fascia.

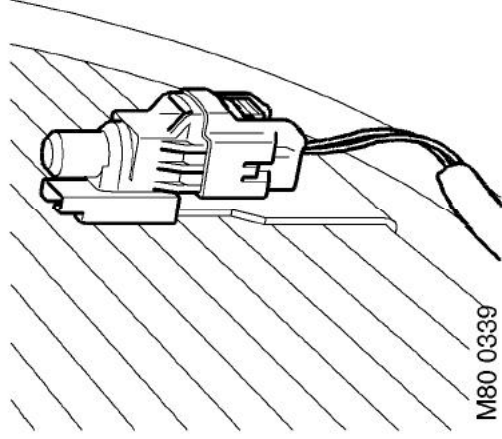
 **IN CAR ENTERTAINMENT, REPAIRS, Radio.**

Sensor - ambient air temperature

🔑 82.20.91

Remove

1. Remove front grille.
 **EXTERIOR FITTINGS, REPAIRS, Grille - front - up to 03MY.**




M80 0339

2. Release ambient air temperature sensor from support bracket, disconnect multiplug and remove sensor.

Refit

1. Position sensor, connect multiplug and secure sensor to support bracket
2. Fit front grille.

 **EXTERIOR FITTINGS, REPAIRS, Grille - front - up to 03MY.**